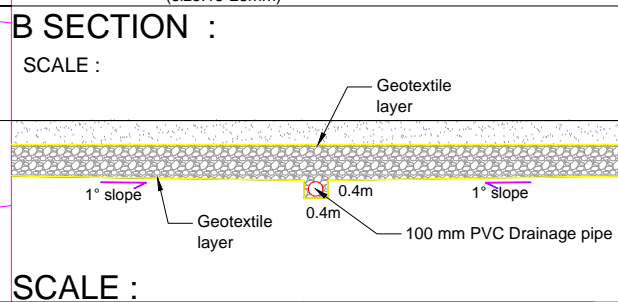
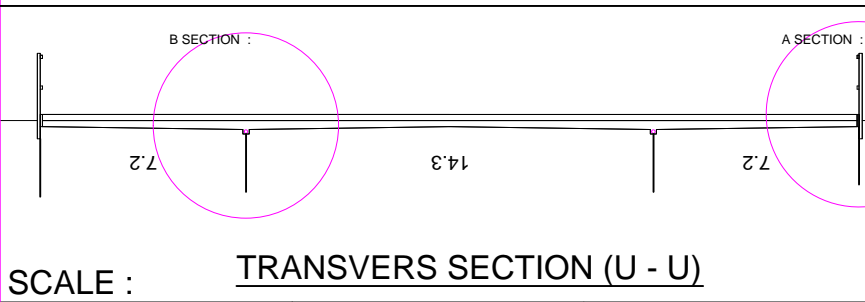
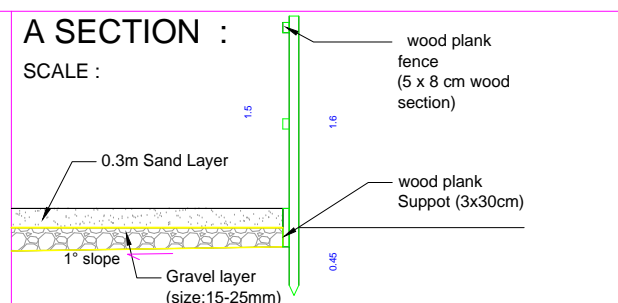
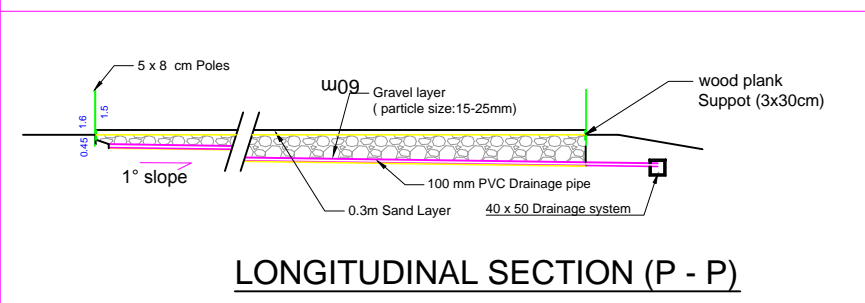
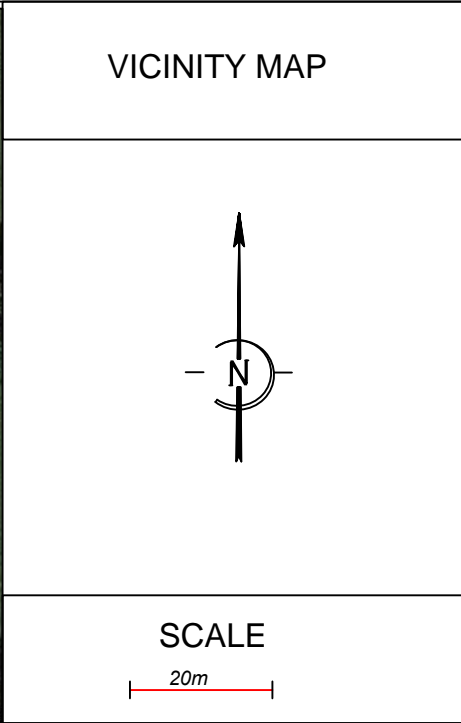
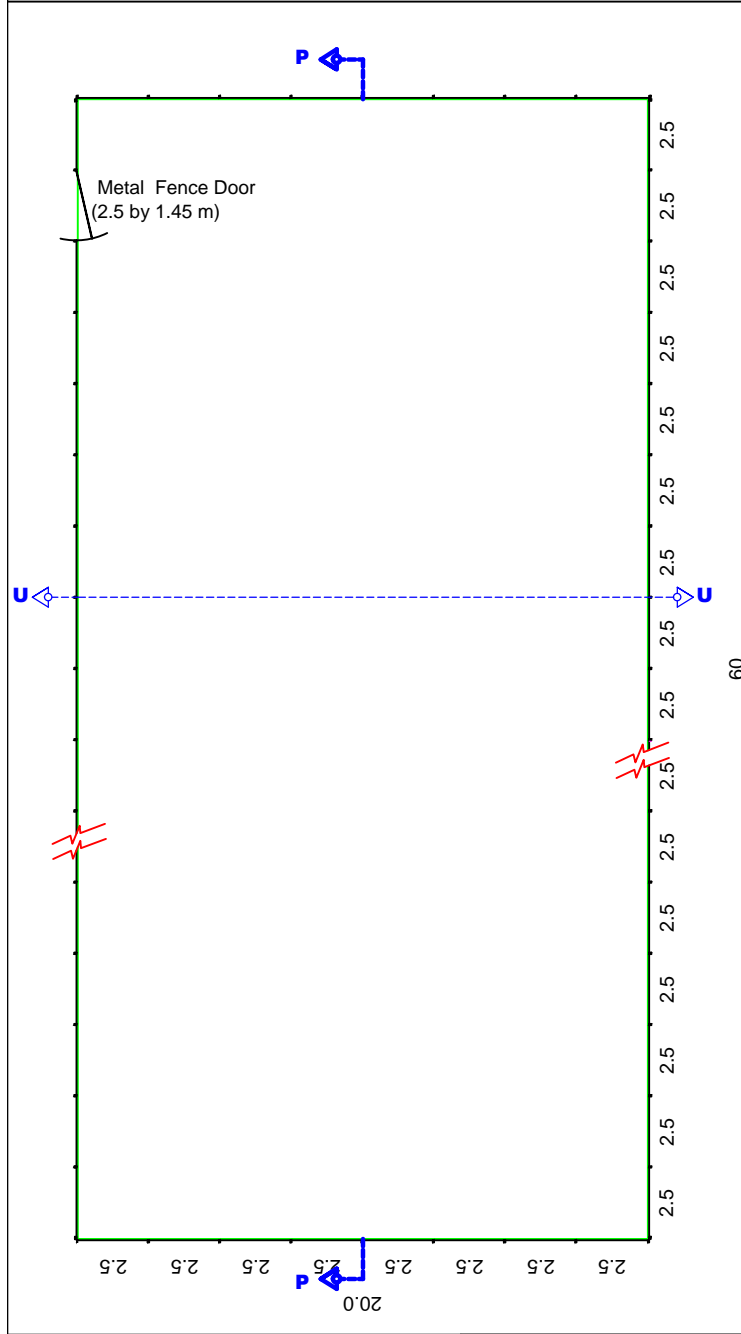


# EQUESTRIAN DESIGN WITH PROPOSED ALL YEAR EXCERCISE AND TURNOUT FOR HORSES



Area : Ref 0271 - 02	SCALE :		DATE :	14/06/2023	PAPER SIZE	A3
	SIZE :	20m x 60m	ADDRESS :	Buckbury Diary, Buckbury Lane, Newport P0302NJ England		