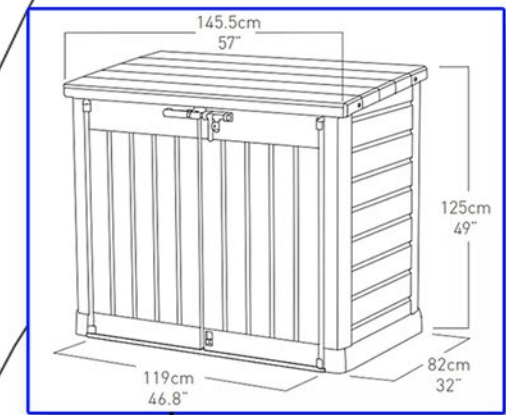


PROPOSED SITE/BLOCK PLAN [1:200 at A3]



PROPOSED FLOOR PLAN [1:100 at A3]

199.6
+

