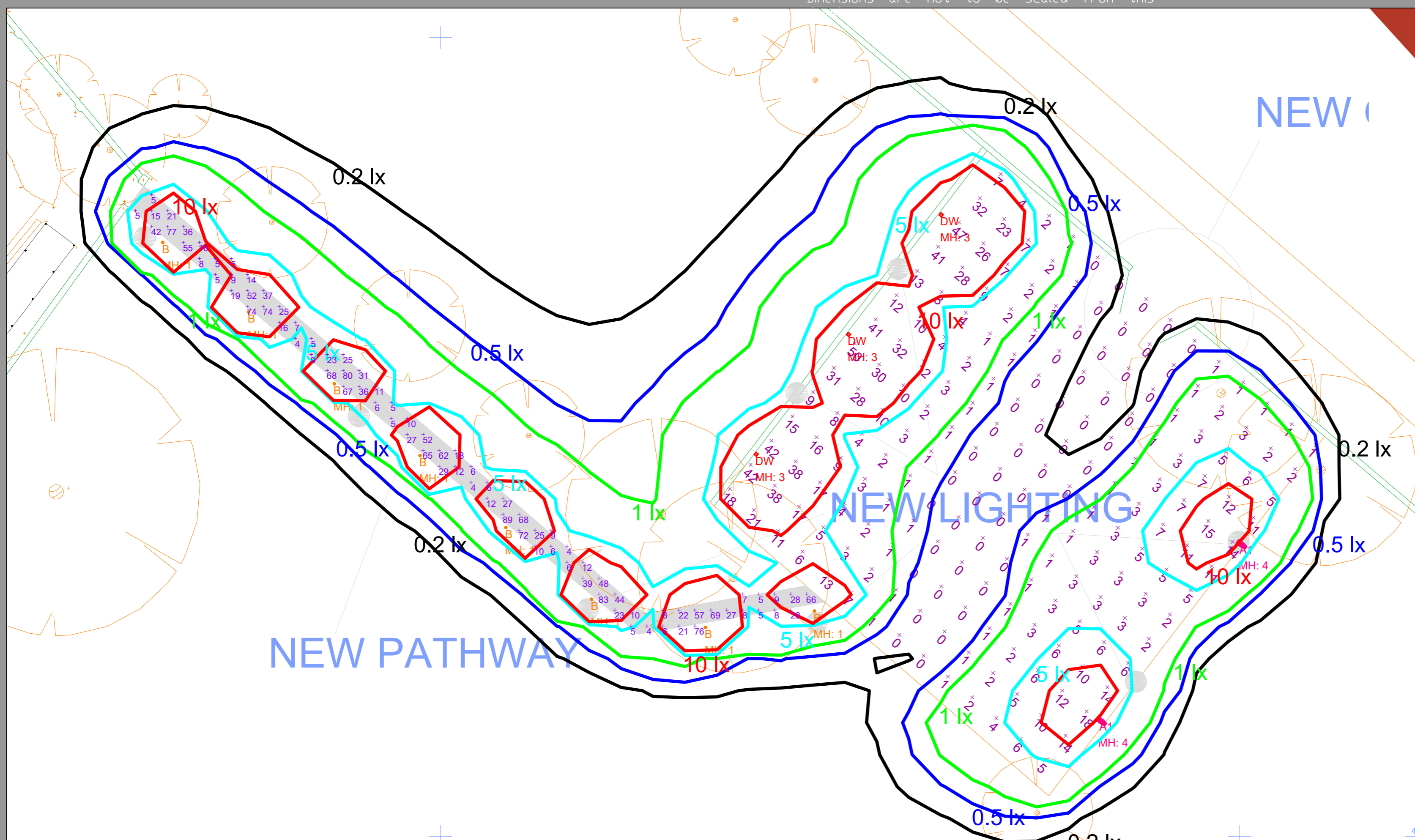


Dimensions are not to be scaled from this



Kingfisher Lighting

Part of the Luceco PLC group of companies **LUCECO**



BREEAM New Construction 2018 (UK)

50602 Greenway Hotel & Spa, Shurdington, Cheltenham, GL51 4UG

Colour Temperature (K)	Qty	Range	Light source	Luminaire Lumens (lm)	Watts (W)	lm/W	LOE	Total lumens	UOR	Upward Lumens	CB	** aBT Hour Per Day	CO ₂ (Tonnes)	kWh/Year
2700	2	Viva City PRO	10w LED FWHB	846	10	84.60	100%	1692	0.0%	0	>70	12	0.02	67.60
2700	3	Quatro 2.0	14.2w LED FL	1500	14	109.86	100%	4500	0.0%	0	>70	12	0.04	188.39
2700	8	Devo 2.0	10w LED	1400	15	93.33	100%	11200	53.1%	5950	>70	12	0.11	525.80

EN15193 - 2013

Table 3 Compliance

Environmental Zone: E3

Sky Glow	Target	Achieved	Status
Pre-Curfew	3.00%	6.40%	Fail
Post-Curfew	1.00%	1.00%	Pass

Source Intensity (Candelas)

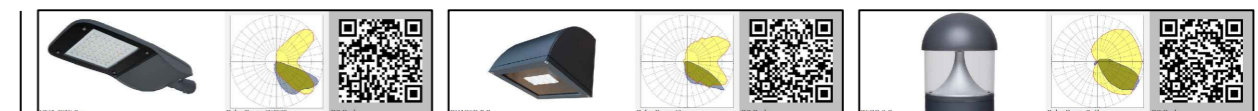
Pre-Curfew	Post-Curfew	Status
10,000	1,000	Pass

Light Trespass into Windows (lm)

Pre-Curfew	Post-Curfew	Status
10	2	Pass

Building Luminance (cd/m²)

Pre-Curfew	Post-Curfew	Status
10	2	Pass



Item No.	Qty	Label	Arrangement	LPF	Beamwidth	Lumens (lm)	Watts (W)	lm/W	LOE	CO ₂ (Tonnes)	kWh/Year
1	2	10W LED FWHB	10W LED FWHB	0.9	120°	846	10	84.60	100%	0.02	67.60
2	3	14.2W LED FL	14.2W LED FL	0.9	120°	1500	14	109.86	100%	0.04	188.39
3	8	10W LED	10W LED	0.9	120°	1400	15	93.33	100%	0.11	525.80

Total Installation Lumens	37522.00	Total Upward Light	8.48%
Total CO ₂ Per Year (Tonnes)	0.57	Total Electric Consumption (kWh)	0.58
Total Electric Consumption Per Year (kWh)	789.79	Average Luminaire Lumens Per Circuit Watt	56.23

Greenway Hotel & Spa, Shurdington, Cheltenham, GL51 4UG

Scale: 1: 200 at A2

Project Number: D50602C

Date: 20 December 2023

Drawing No.: D50602/LK/MC

Lighting Designer: Laura Karaleviciute

A lighting applications design service is provided by us in good faith and without charge, relating to Kingfisher products only. As such, whilst every endeavor is made for accuracy from information provided by yourselves, the final responsibility for the suitability of the design lies with the client. The company cannot, therefore, accept any liability or consequential loss incurred.

A2

Datasheet

DECO 2.0



Product Description

DECO 2.0 is a robust bollard with a classic look suitable for most schemes. It comes with an on site adjustable output and both emergency and photocell options. The effect is a comfortable, low-glare light output tailored for your site.

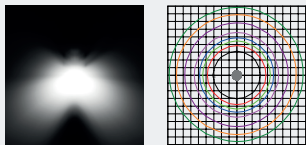
Specification Text

The luminaire shall be manufactured from high-pressure die-cast aluminium. It shall have an LED efficacy of up to 124lm/W and will be capable of producing up to 1,860 luminaire lumens at 4000K with a CRI >70. It shall have a radial distribution and is rated at IP65 and IK08.

Specification

Weight: 5.4-5.7kg
 Material: Die-cast Aluminium
 Paint finish: RAL7016 Anthracite Grey
 Embodied Carbon: 97 kg CO₂e

Optics



Radial

Key Features

- 7.5 - 15.0W
- 930 - 1,860 Luminaire Lumens
- Efficacy up to 124lm/W
- 4000K, CRI >70
- Lifetime >50,000hr, L70



Mounting Options

- Flange Mount
- Root

Other Options

- Photocell Option
- Emergency
- Emergency Self Test
- 180° Spill Shield
- Impact Kit
- Bike Rack Accessory
[Contact for details](#)



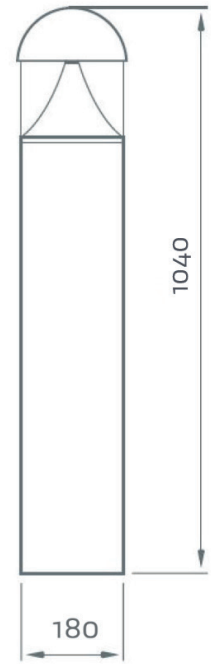
Circular Economy Score

0 to 0.5	Very poor circular economy performance
0.5 to 1.5	Some circular economy functionality
1.5 to 2.5	Definite/ substantial progress to circularity
2.5 to 4.0	Excellent circularity

Code	Power	Luminaire Lumens	Drive Current	Optic	CCT(K)	IP	IK	Weight kg	Paint Finish	Driver Included	Driver Type
DEC715	7.5/15	930/1860	250/500	Radial	4000	IP65	IK08	5.4	RAL7016 Anthracite Grey	Driver Inc	Fixed
DEC715PEC	7.5/15	930/1860	250/500		4000	IP65	IK08	5.5	RAL7016 Anthracite Grey	Driver Inc	Fixed
DEC715EM	7.5/15	930/1860	250/500		4000	IP65	IK08	5.6	RAL7016 Anthracite Grey	Driver Inc	Fixed
DEC715EMPEC	7.5/15	930/1860	250/500		4000	IP65	IK08	5.7	RAL7016 Anthracite Grey	Driver Inc	Fixed



Dimensions



All measurements in mm

Datasheet

Quarto 2.0



Product Description

A stylish, modern bulkhead available with LED emergency and photocell. Quarto 2.0 is suited to building and perimeter lighting.

Specification Text

The luminaire shall be manufactured from high-pressure die-cast aluminium. It shall have an LED efficacy of up to 121.0 lm/W and will be capable of producing up to 1,720 luminaire lumens at 4000K with a CRI >70. It shall have an asymmetric forward throw optic and is rated at IP65 and IK10.

Specification

Weight: 4.0kg
Material: Die-cast Aluminium
Paint finish: RAL7016 Anthracite

Key Features

- 7.5 - 14.2W
- 790 - 1,720 Luminaire Lumens
- Efficacy up to 121.0 lm/W
- 4000K, CRI >70
- Lifetime >100,000hr, L80

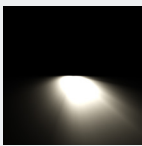


Other Options

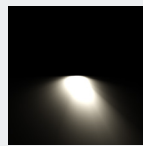
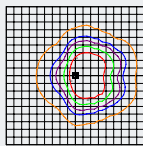
- Colour Temperature Options
- Photocell Option
- Emergency Option
- Wall Pattress Option

[Contact for details](#)

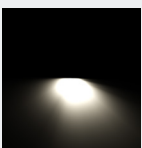
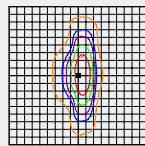
Optics



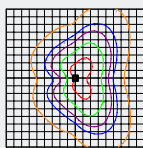
Flood Optic



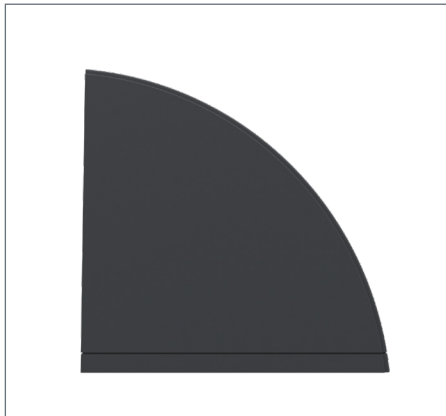
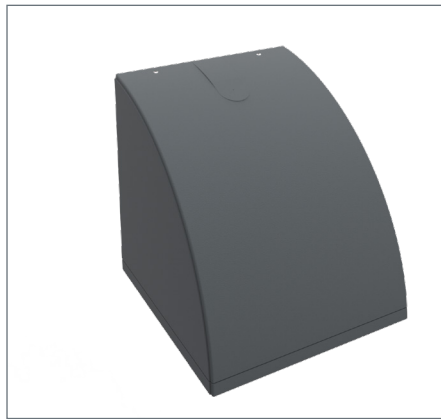
Path Optic



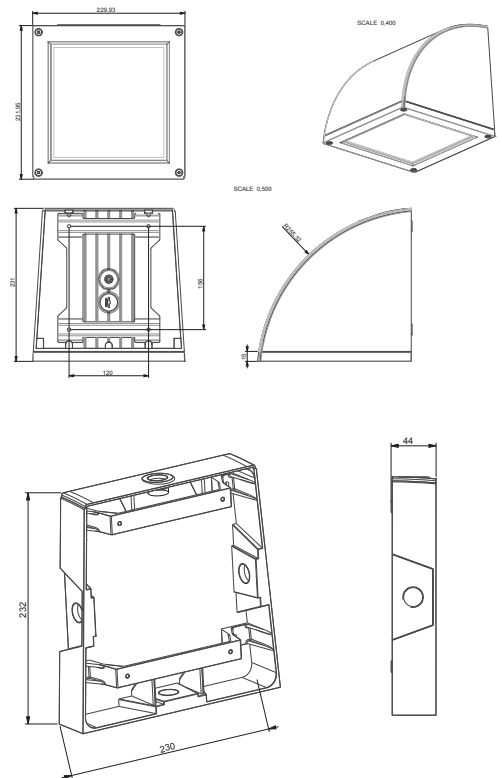
Street Optic



Code	Power	Luminaire Lumens	Drive Current	Optic	CCT(K)	IP	IK	Weight kg	Paint Finish	Driver Included
QUAFL08F	7.5	840	250	Asymmetrical Flood Optic FL	4000	IP66	IK10	4.0	RAL7016 Anthracite Grey	Driver Inc
QUAFL15F	14.2	1,720	500		4000	IP66	IK10	4.0	RAL7016 Anthracite Grey	Driver Inc
QUAOC08F	7.5	820	250	Asymmetrical Path Optic OC	4000	IP66	IK10	4.0	RAL7016 Anthracite Grey	Driver Inc
QUAOC15F	14.2	1,675	500		4000	IP66	IK10	4.0	RAL7016 Anthracite Grey	Driver Inc
QUAST08F	7.5	790	250	Asymmetrical Street Optic ST	4000	IP66	IK10	4.0	RAL7016 Anthracite Grey	Driver Inc
QUAST15F	14.2	1,620	500		4000	IP66	IK10	4.0	RAL7016 Anthracite Grey	Driver Inc



Dimensions





Datasheet

VIVA-CITY Pro

Product Description

A slimline, performance street lantern with improved efficacy and output. VIVA-CITY Pro offers a choice of optics with asymmetrical distribution including an area optic.

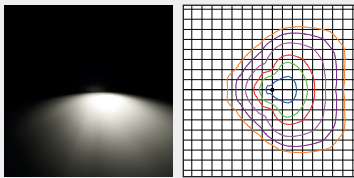
Specification Text

The luminaire shall be manufactured from high-pressure die-cast aluminium. It shall have an LED efficacy of up to 153.0 lm/W and will be capable of producing up to 25,560 luminaire lumens at 4000K with a CRI >70. It shall have asymmetric forward throw optics and is rated at IP66 and IK08.

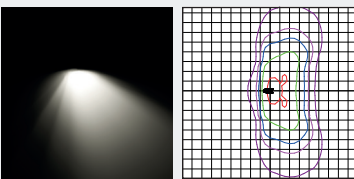
Specification

Weight: 4.8 - 9.1kg
 Windage: 0.06 – 0.09m²
 Material: Die-cast Aluminium
 Paint finish: RAL7016 Anthracite Grey Finish

Optics



FW70





FWB70

Key Features

- 10.0W – 180.0W
- 1,380 – 25,660 Luminaire Lumens
- Efficacy up to 153.0 lm/W
- 2700K, 4000K, CRI >70
- Lifetime >100,000hr, L80



LED ••••	IP66 ••	IK08 ••	DIM ■ ■ ■ ■ ■ ■ ■ ■	Marine Grade Finish ••••	
EM →→→	Control Compatible 				

Mounting Options

- Post Top/side entry 60/76mm

Other Options

- Part Night Dimming
 - Colour Temperature Option
 - Photocell Option
 - Emergency Option
- [Contact for details](#)



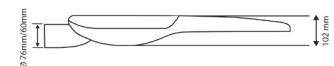
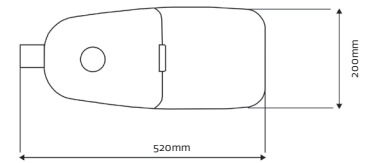
Code	Power	Luminaire Lumens	Drive Current	Optic	CCT(K)	IP	IK	Weight kg	Paint Finish	Driver Included	Driver Type
VCYP-FW70-4.4-10D-02	10.0	1,380	400	Forward Throw Optic - 70°	4000	IP66	IK08	4.8	RAL7016 Anthracite Grey Finish	Driver Inc	DALI
VCYP-FW70-4.8-20D-02	20.0	3,000	840		4000	IP66	IK08	4.8	RAL7016 Anthracite Grey Finish	Driver Inc	DALI
VCYP-FW70-4.10-40D-02	40.0	5,880	1050		4000	IP66	IK08	6.0	RAL7016 Anthracite Grey Finish	Driver Inc	DALI
VCYP-FW70-4.6-60D-02	60.0	8,760	610		4000	IP66	IK08	6.0	RAL7016 Anthracite Grey Finish	Driver Inc	DALI
VCYP-FW70-4.8-80D-02	80.0	11,040	800		4000	IP66	IK08	6.0	RAL7016 Anthracite Grey Finish	Driver Inc	DALI
VCYP-FW70-4.6-120D-02	120.0	17,760	620		4000	IP66	IK08	9.0	RAL7016 Anthracite Grey Finish	Driver Inc	DALI
VCYP-FW70-4.9-180D-02	180.0	24,660	900		4000	IP66	IK08	9.0	RAL7016 Anthracite Grey Finish	Driver Inc	DALI

VCYP-FWB70-4.10-40DSHIELD-02	40.0	4,667	1050	Spill Shield Forward Throw Optic - 70°	4000	IP66	IK08	6.0	RAL7016 Anthracite Grey Finish	Driver Inc	DALI
VCYP-FWB70-4.6-60DSHIELD-02	60.0	6,789	610		4000	IP66	IK08	6.0	RAL7016 Anthracite Grey Finish	Driver Inc	DALI
VCYP-FWB70-4.8-80DSHIELD-02	80.0	8,567	800		4000	IP66	IK08	6.0	RAL7016 Anthracite Grey Finish	Driver Inc	DALI
VCYP-FWB70-4.6-120DSHIELD-02	120.0	13,782	620		4000	IP66	IK08	9.0	RAL7016 Anthracite Grey Finish	Driver Inc	DALI
VCYP-FWB70-4.9-180DSHIELD-02	180.0	19,136	900		4000	IP66	IK08	9.0	RAL7016 Anthracite Grey Finish	Driver Inc	DALI

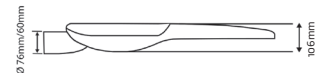
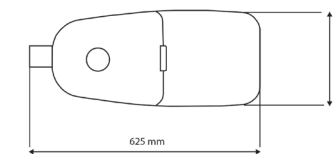


Dimensions

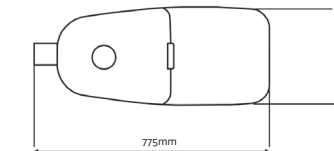
Viva-City Pro 10W



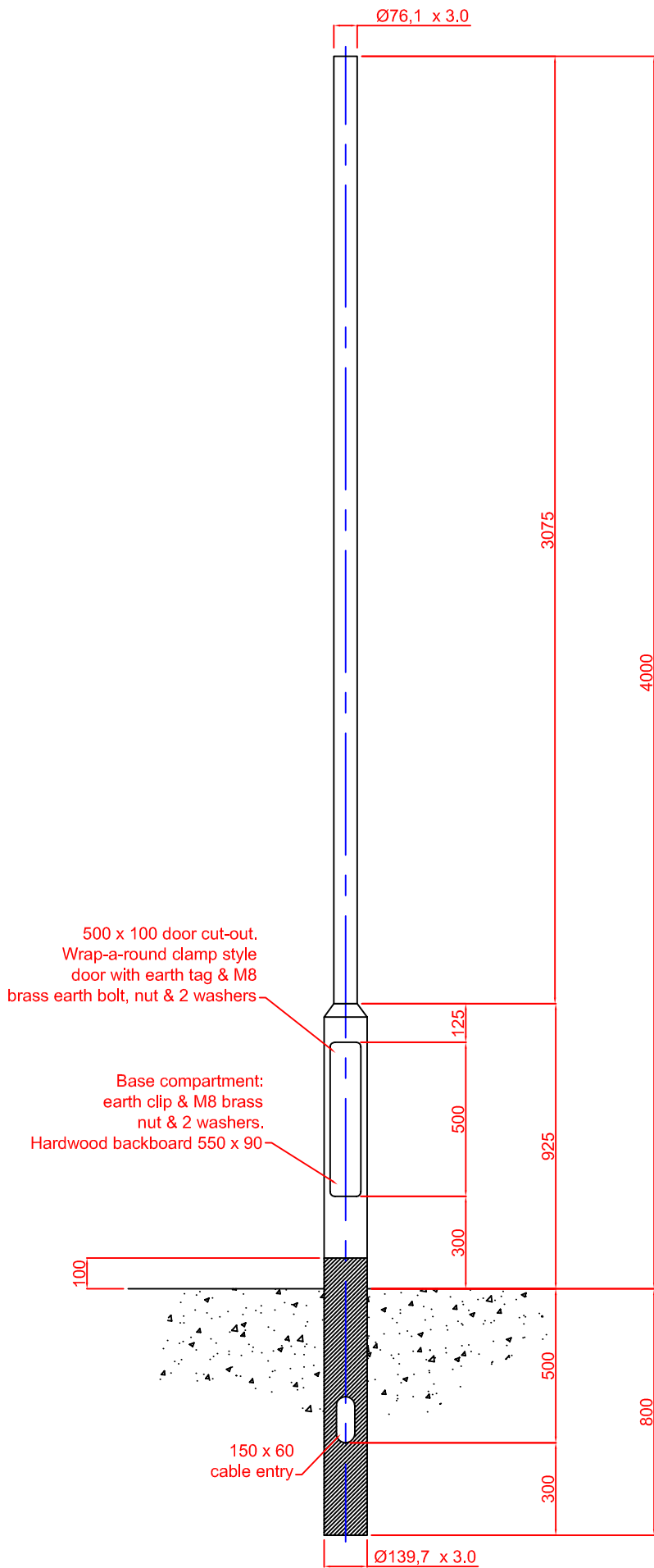
Viva-City Pro 40W, 60W and 80W



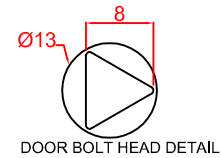
Viva-City Pro 120W, 180W



Part of the LUCECO group of companies



Material: BS EN 10219 or equivalent
 Design: BS EN 40
 Finish: Galvanise to BS EN 1461:1999
 + external bitumen root
 Welding: In accordance with BS 5135
 Procedures to BS EN 288
 Welders qualified to BS EN 287



Detail of change:	
Detail of change:	
Detail of change:	Updated template RH 30/01/07
© ALL RIGHTS RESERVED KINGFISHER LIGHTING LTD 2007	

Kingfisher
Lighting Ltd

KINGFISHER LIGHTING LTD
 RATCHER WAY
 CROWN FARM INDUSTRIAL PARK
 MANSFIELD
 NOTTINGHAMSHIRE
 NG19 9FS

Title: 4CT76 Lighting Column	
Drawn: RJH	Drawing No: KL 3171
Date: 30/01/2007	Issue: B
Material: BS EN 10219 or equivalent	
All dimensions in mm(unless otherwise stated)	

Column and Bracket Data Sheet

Kingfisher Lighting LTD
 Ratcher Way
 Crown Farm Industrial Park
 Mansfield
 NG19 0FS



COLUMN REFERENCE NO: 4CT76

COLUMN DRAWING NO: KL 3171

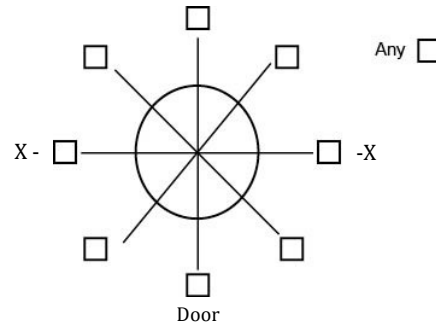
REVISION NO: B

DATE: 11-3-13

PART A GENERAL

Column Nominal Height (m) – 4.0
 Column Material – STEEL
 Material Design Strength (N/mm²) – 235
 NO. of Door Openings – 1
 Door Opening Size – Height (mm) – 500
 Door Opening Size – Width (mm) – 100

Acceptable positions of bracket arms relative to door opening:



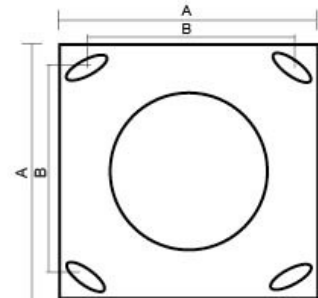
Corrosion Protection (steel columns only) Basic system type galvanised only BS EN 1461 and finished in accordance with the specification

PART B Foundation Data (BS EN 40-PD6547)

Planting Depth – 800mm

Standard soil type Factor G (KN/m ² /m)	630	390	230
Diameter of concrete surround	169	273	463

Flange Plate Detail



Maximum Moment is about – X - X
 Design Moment at Ground Level – 3.71kNm
 Ultimate Moment at Ground Level -

Sq. Size A (mm)	Thickness (mm)	Hole Ctrs B (mm)	Slot Size (mm)

Bracket Projection (m)	Terrain Cat.	RWF E.Light	RWF Light	RWF Med	RWF Heavy	RWF Ex. Heavy
Post Top	III	70 0.51	70 0.76	70 0.69	70 0.62	70 0.49
Single arm – up to 0.6m	III	60 0.5	60 0.425	60 0.38	60 0.34	60 0.26
Double arm (each side) – up to 0.6m	III	60 0.44	60 0.38	60 0.34	60 0.3	60 0.225

PART D Certification

It is certified that the information given in this data sheet has been obtained in accordance with the requirements of EN40

Signed on behalf of the contractor: Richard Holmes Date: 11-3-2013

Kingfisher Lighting are independently assessed and approved by B.S.I to BS EN ISO 9001 Certificate number FS 575858

DECO BOLLARD

This Luminaire contains a light source of class <D>

ASSEMBLY AND INSTALLATION **EN**

- Luminaire suitable for outdoor use
- This product must be disconnected before insulation resistance testing of the lighting circuit
- Ensure adequate mounting and cable entry accessories are used to maintain products ingress protection

ZUSAMMENBAU UND INSTALLATION **DE**

- Die Leuchte ist für die Verwendung im Außenbereich geeignet
- Vor der Isolationswiderstandsprüfung muß das Produkt von der Spannungsversorgung getrennt werden
- Achten Sie auf ein einwandfreie Montage der Kabeldurchführung, um den IP-Schutz zu gewährleisten

4000K NEUTRAL WHITE	930/1860 LUMINAIRE LUMENS	IP65 RATED	 IK08
3000K WARM WHITE	780/1560 LUMINAIRE LUMENS	50,000 HOURS	5 year standard WARRANTY

NOTICE D'ASSEMBLAGE ET DE MONTAGE **FR**

- Luminaire adapté à une utilisation en extérieur
- Ce produit doit être déconnecté avant tout test de résistance du circuit d'éclairage
- Assurez-vous que le montage des accessoires et des entrées de câbles soient adéquats afin de maintenir la protection du produit

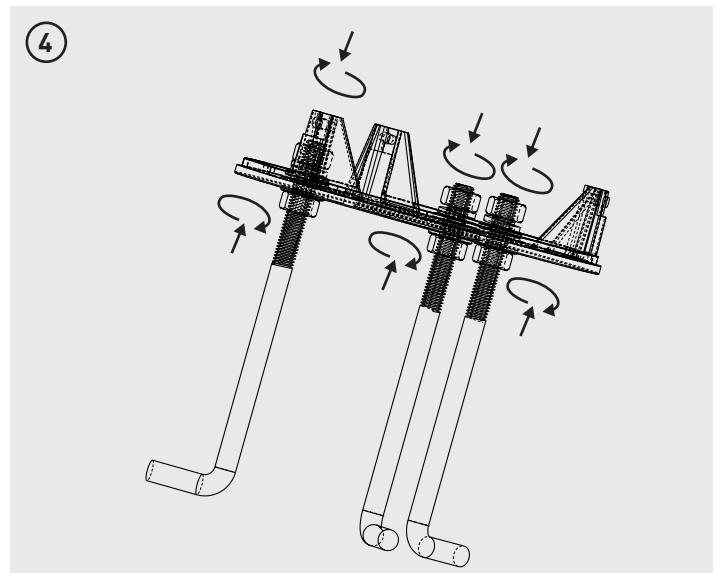
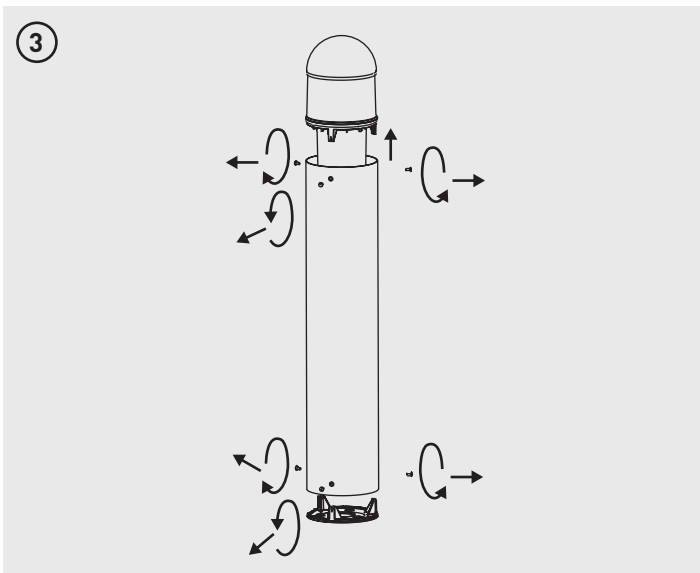
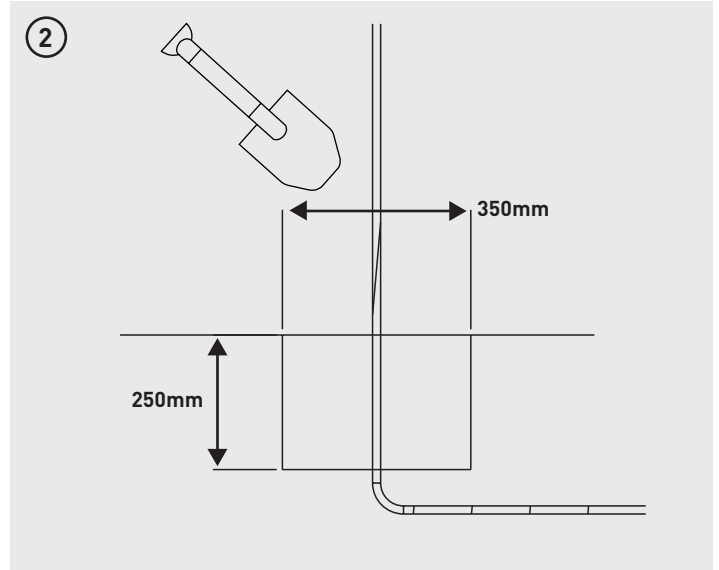
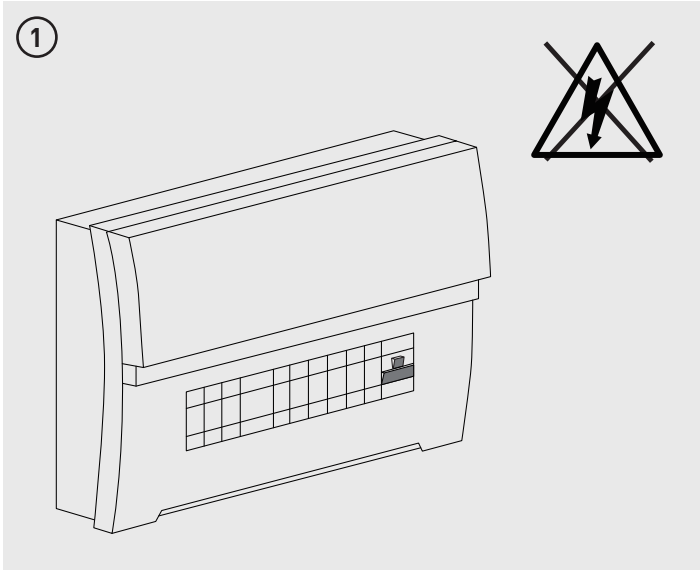
MONTAJE E INSTALACIÓN **ES**

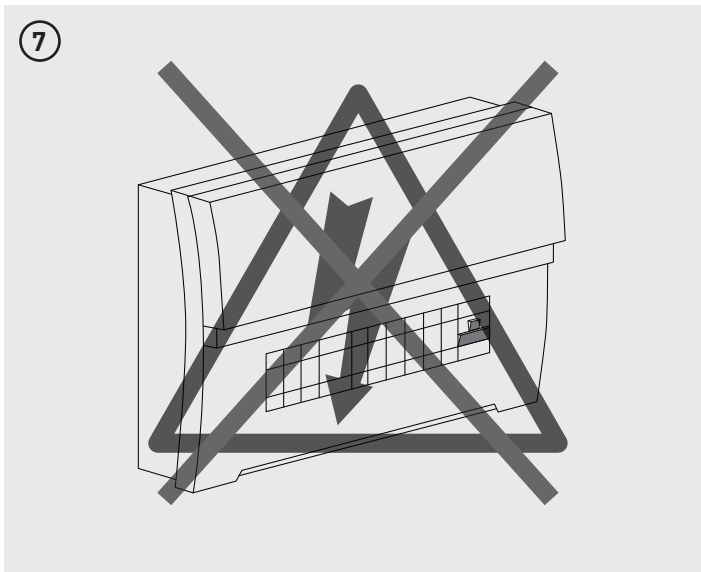
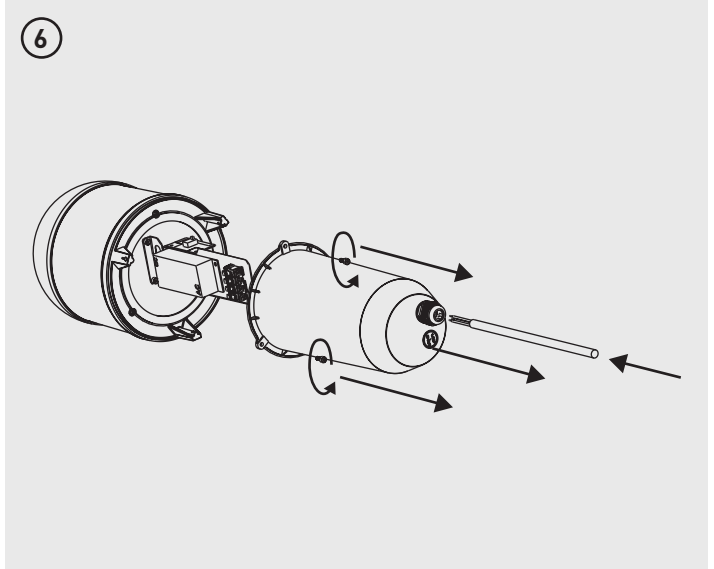
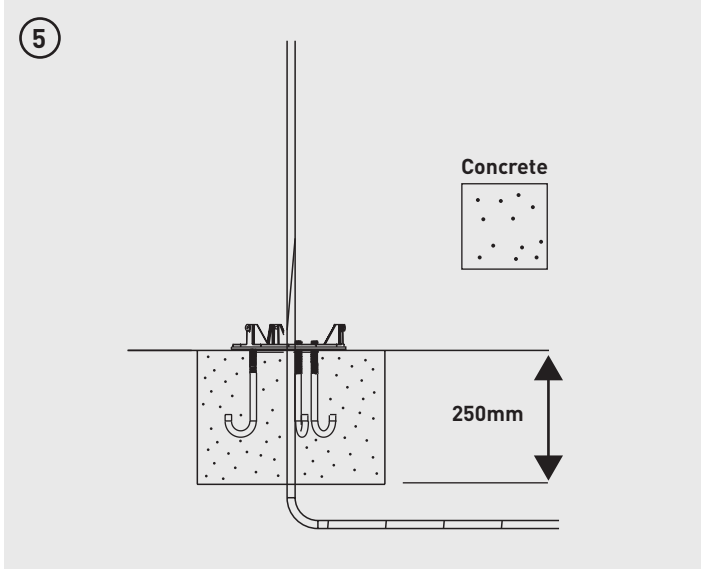
- Luminaria adecuada para uso en exteriores
- Este producto debe ser desconectado antes de ensayar, en el circuito eléctrico, la resistencia de aislamiento
- Asegúrese de que los accesorios de montaje y la entrada de cable son los adecuados y se usan para mantener la protección contra la entrada de productos

MONTAGGIO E INSTALLAZIONE **IT**

- Apparecchio adatto per l'uso esterno
- Questo prodotto deve essere scollegato prima del test di resistenza di isolamento del circuito di illuminazione
- Assicuratevi che il montaggio e il cavo d'ingresso accessorio siano adeguati al fine di mantenere la protezione del prodotto

AVAILABLE ACCESSORIES:
Root Mount Kit = B/ROOT





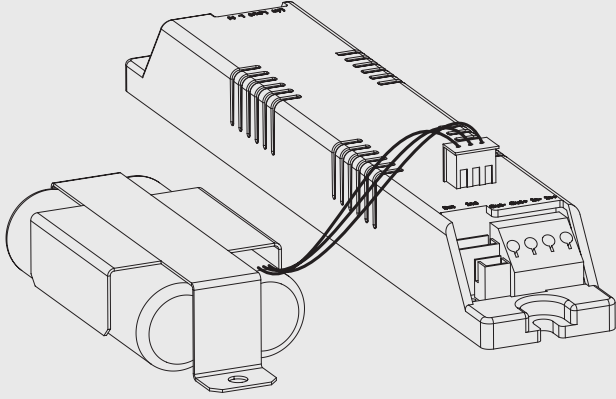
8 **ONLY SWITCH WITH POWER OFF**
DE - NUR IM AUSGESCHALTETEN ZUSTAND SCHALTEN.
IT - SOLO INTERRUOTORE CON L'ALIMENTAZIONE SPENTA.
FR - UNIQUEMENT LORSQUE L'ALIMENTATION EST COUPÉE.
ES - SÓLO EL INTERRUPTOR CON LA ALIMENTACIÓN DESCONECTADA.

7W	15W
4000K = 980lm	4000K = 1860lm
3000K = 780lm	3000K = 1560lm

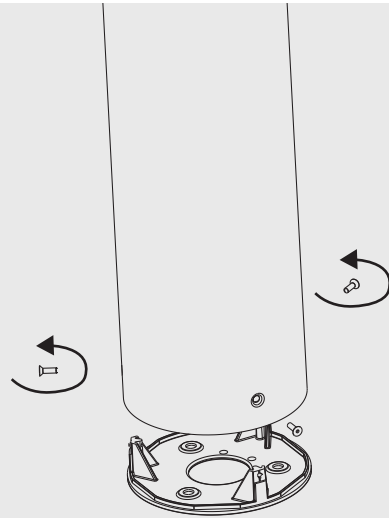
9 **NON-DIMMABLE**
DE - NICHT DIMMBAR **IT - NON DIMMERABILE**
FR - NON-DIMMABLE **ES - NO DIMMABLE**

10 **EMERGENCY**
DE - NOTBELEUCHTUNG **IT - EMERGENZA**
FR - URGENCE **ES - EMERGENCIA**

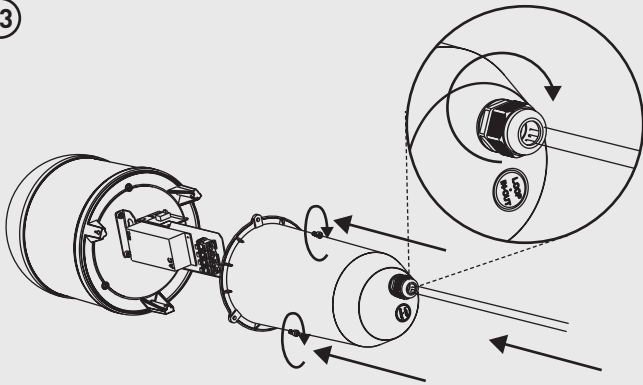
11 EMERGENCY
DE - NOTBELEUCHUNG IT - EMERGENZA
FR - URGENCE ES - EMERGENCIA



12

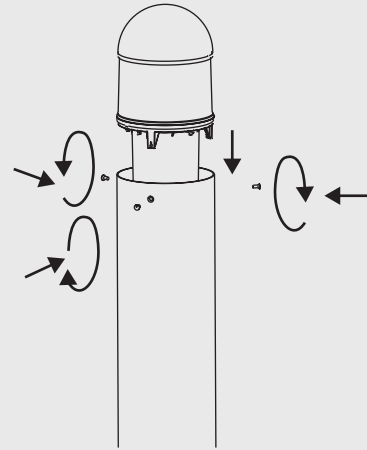


13

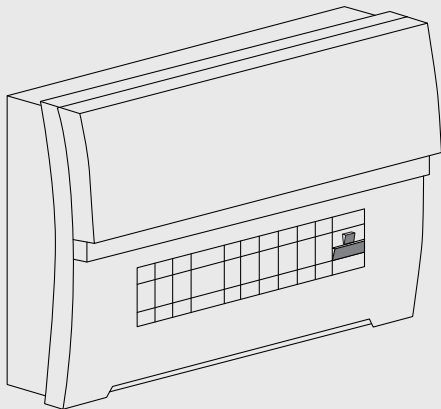


IP65
RATED

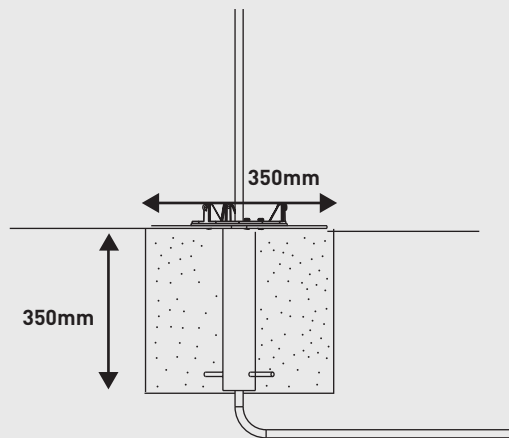
14



15



B/ROOT ACCESSORIES



Tech Help Line

UK - 0330 0249 279
Non UK - +44 (0)1952 238 100
Supplied by LUCECO
Stafford Park 1, Telford,
Shropshire, England, TF3 3BD

Kontakt

UK - 0330 0249 279
Non UK - +49 40 89066 878 - 29
Geliefert von Luceco
GmbH Holstenplatz 20b,
22765 Hamburg DEUTSCHLAND

Support Technique

UK - 0330 0249 279
Non UK - +33 (0)1 61 10 10 35
Notice fournie par
Luceco SAS France & Belux 3
Rue de Courtaulin, Magny Le Hongre 77700
FRANCE & BELUX

Servicio de asistencia telefónica

UK - 0330 0249 279
Non UK - +34 93 829 55 74
(EU) Luceco SE
C/Bohinadora 1-5 08302 Mataró
Barcelona, Spain

Assistenza tecnica telefonica

UK - 0330 0249 279
Non UK - +39 0434 1696795
Fornito da BG Electrical Ltd Nexus
Italia, Via Amman 10.33170
Pordenone, Italy

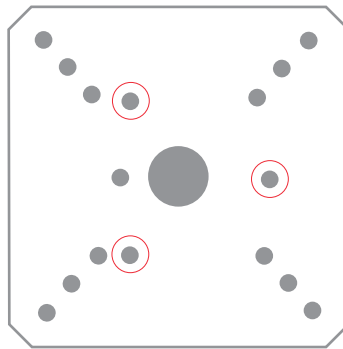


**Kingfisher
Lighting**

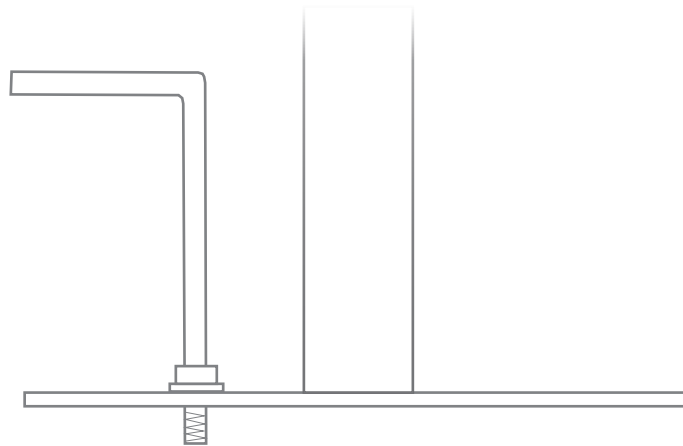
Part of the LUCECO[®] group of companies

Installation of DECO flange plate onto a B/ROOT

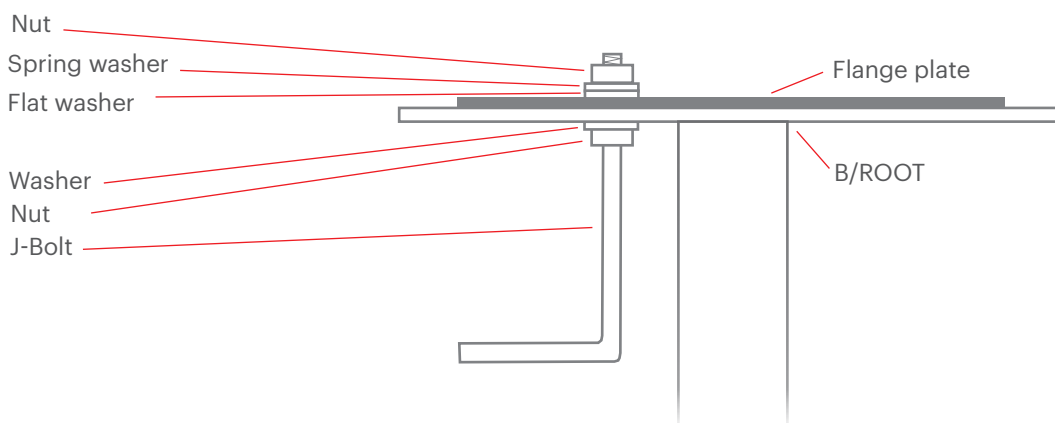
- 1) The flange plate of the DECO 2.0 will only fit onto the B/ROOT in one way.
There are three custom drilled holes as marked below.



- 2) Place x3 J-Bolts provided into the holes indicated above, then add a washer and nut onto each, making sure both are pushed all the way to the bottom.



- 3) Flip over the B/ROOT and add the flange plate from the bollard onto the opposite side of the B/ROOT.
Add a washer, spring washer and nyloc nut and secure in place, tightening with a 15mm Spanner.

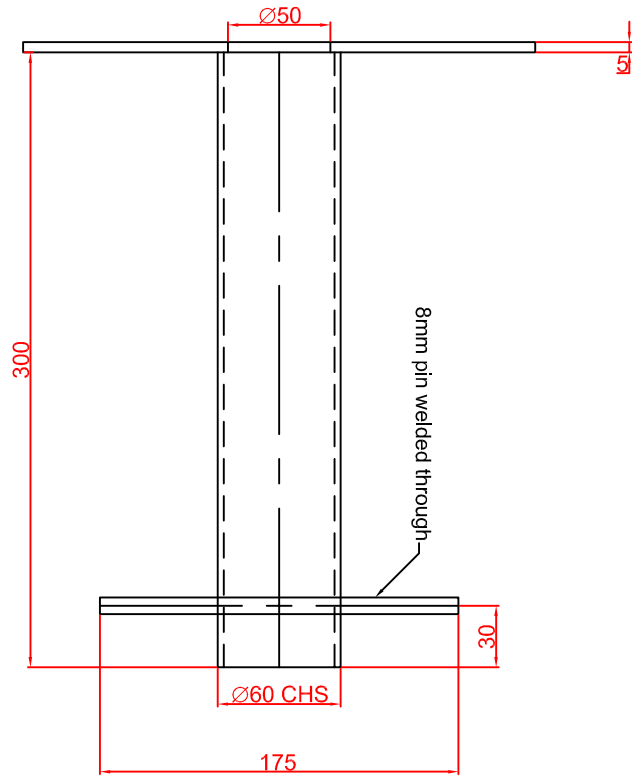
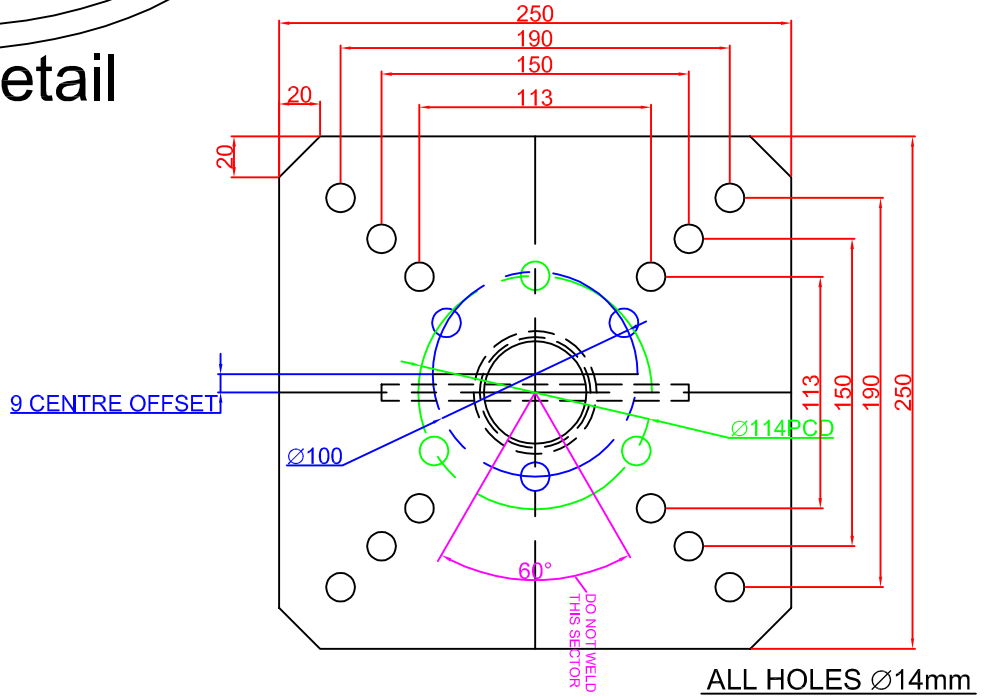




Kingfisher Lighting

B/ROOT

Label Detail



FIXINGS AND PACKAGING AS PER PACKAGING SPEC.

Remove all sharp edges & de-burr holes

Bright Hot Dip Galvanised Finish BS EN 10240

Detail of change: C Re-design to suit current range RH 15-10-2012

Detail of change: B 5 thickness was 3 RH 07-01-2010

Detail of change: A Chamfer & Ø188pcd added RH 04-04-2007

© ALL RIGHTS RESERVED KINGFISHER LIGHTING LTD 2005



Kingfisher Lighting

KINGFISHER LIGHTING LTD
RATCHER WAY
CROWN FARM INDUSTRIAL PARK
MANSFIELD
NOTTINGHAMSHIRE
NG19 9FS

Title: Multiple bolt on root

Drawn: RJH Drawing No: KLC 0071

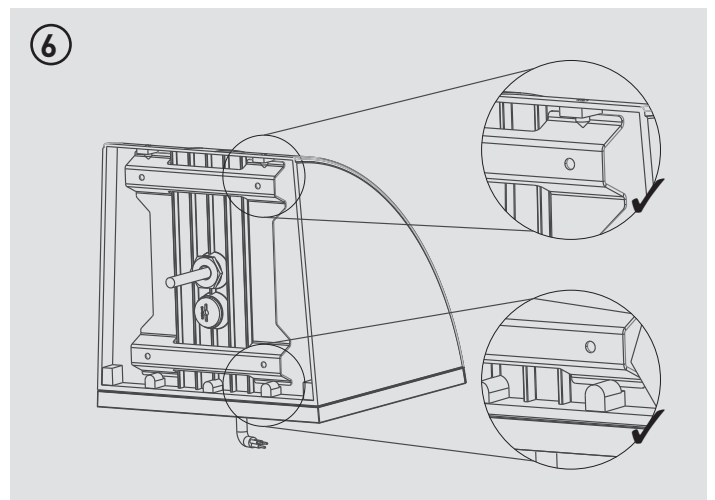
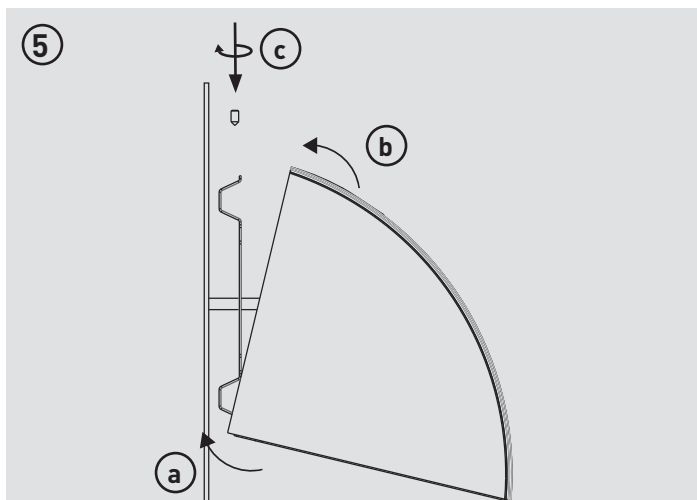
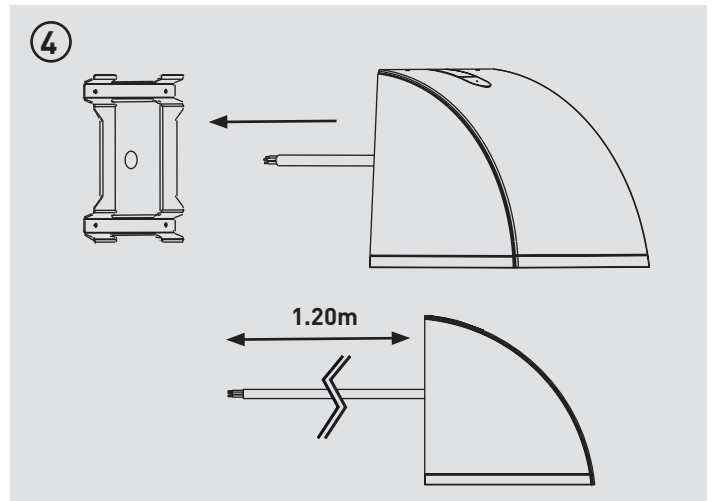
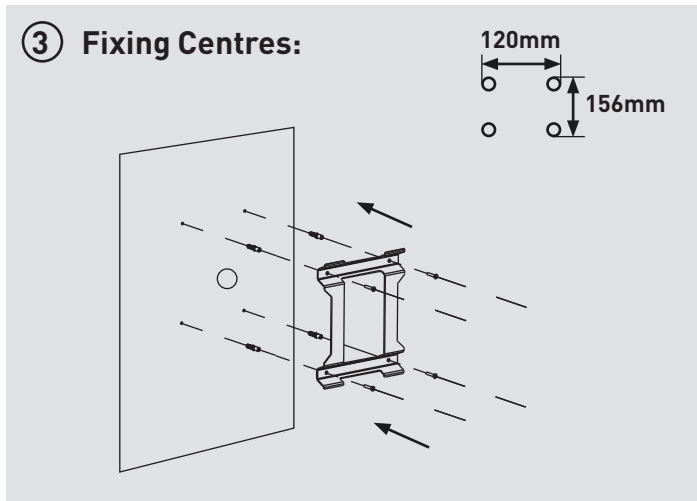
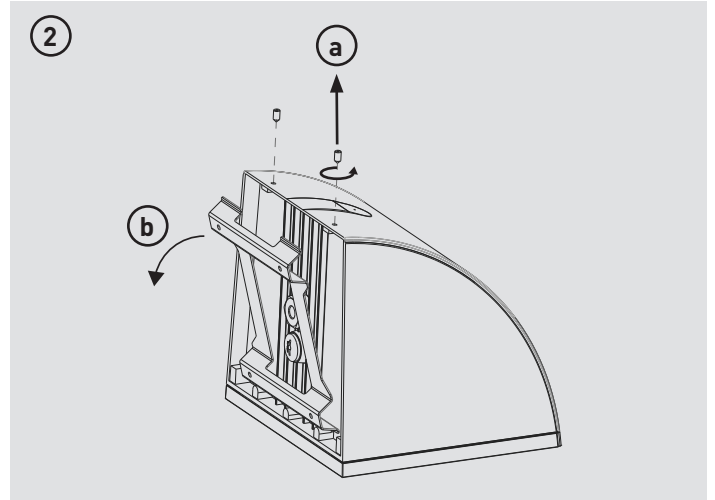
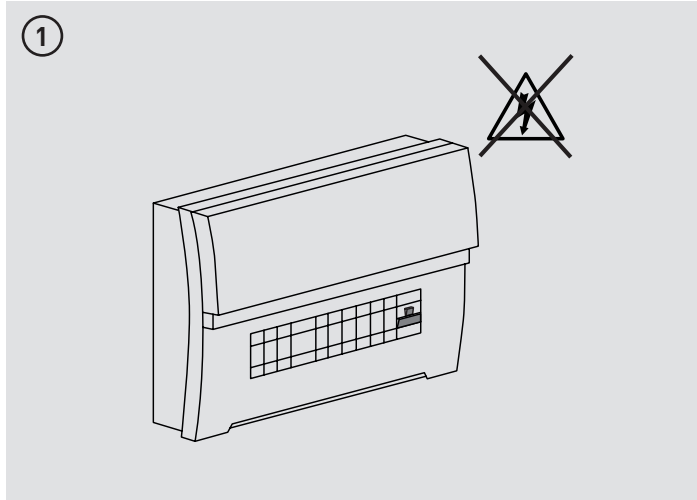
Date: 06/06/2006 Issue: D

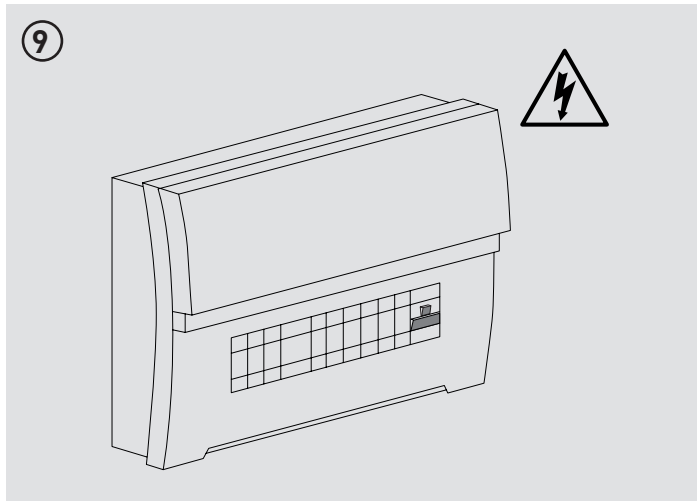
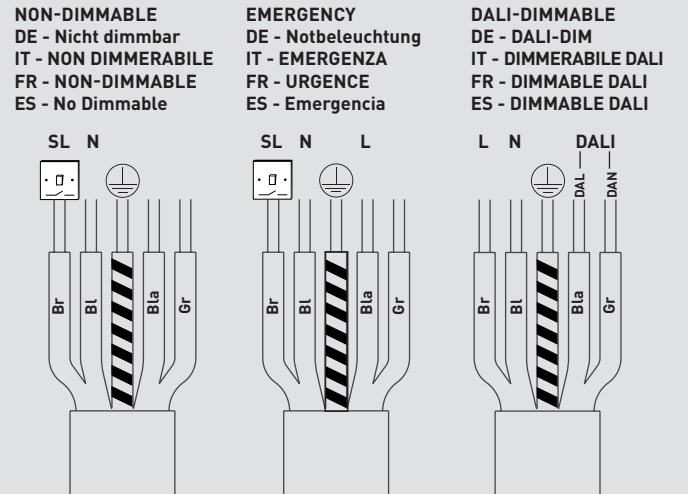
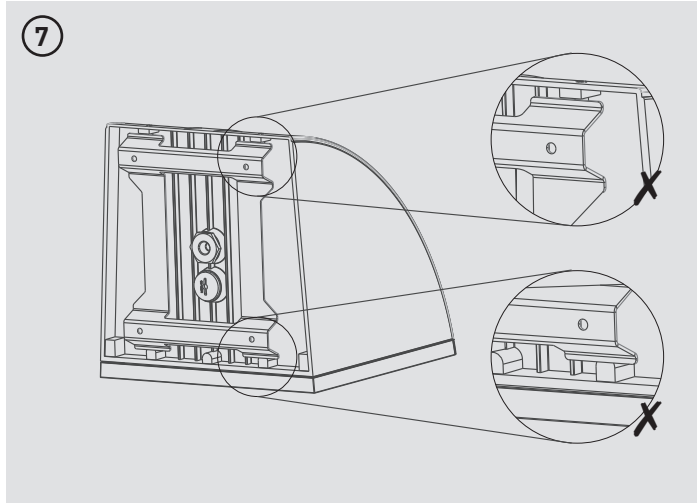
Material: All dimensions in mm(unless otherwise stated)

QUARTO

ASSEMBLY AND INSTALLATION

- This luminaire must be disconnected before insulation resistance testing of the lighting circuit.
- Suitable for use with 220-240V AC power supplies.
- Ensure outdoor connections are made to meet IP65 rating.





Quick Reference Guide

Viva-City Pro Spill Shield

About

The Viva-City Pro spill shield is a retrofit shield that can be installed on to the sleek fitting to illuminate back spill. This product is the perfect device for luminaires causing unwanted or obtrusive light to local residential or wildlife areas.

Made from durable powder coated aluminium, the shield is lightweight and easy to mount making installation on site simple and stress free. Available in three sizes providing the perfect solution for our entire Viva-City Pro range.

Key Features

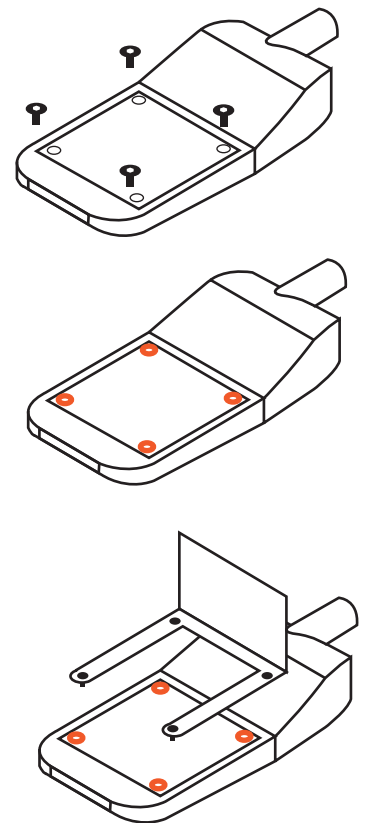
- Easy to install
- Perfect retrofit solution
- Illuminates back spill
- Powder coated aluminium
- Anthracite grey (RAL 7016)

Installation Guidance

1. Remove the fitting from the column.
2. Use a 4mm hex bit to remove all screws that secures the glass in place.
3. Position suitable washers over the holes in the glass. (16mm ID x 24mm OD)
4. Select the recommended spill shield suitable for the specific size body of the Viva-City Pro luminaire. Put the spill shield in place, lining up the fixing holes and washers, then evenly secure the screws one by one with your hex bit.

Making sure you secure these screws evenly will reduce stress on the screw threads and the glass underneath.

DO NOT drill with more than **1.2Nm** otherwise, it could shatter the glass with too much force and will void warranty.





7. Warranty

Kingfisher Lighting Limited warrants that, commencing from the date of supply the products listed below shall, for the relevant warranty period:

- conform with their description and any relevant product specification.
- be free from any manufacturing defects; and
- be of satisfactory quality (within the meaning of the Sale of Goods Act 1979)

providing they are installed and operated in accordance with the manufacturer's instructions and within all thermal, electrical, and environmental limitations. Any modifications made to the product by the customer will invalidate the warranty.

Kingfisher Lighting Limited reserves the right to repair or replace product(s) at their discretion. The replacement of products does not include costs associated with installation. Notice of any claim under this warranty must be made in writing to Kingfisher Lighting Limited during the warranty period and as soon as reasonably practicable after the date of discovery that the product does not comply with the warranty set out above.

Kingfisher Lighting Limited must be given a reasonable opportunity of examining the product and if reasonably requested to do so, the customer returns the product to Kingfisher Lighting Limited's place of business at the customer's cost (unless KFL agrees otherwise). Kingfisher Lighting Limited does not accept any other direct, indirect, or consequential loss caused or arising from a breach of this warranty.

Please refer to Kingfisher Lighting 2020 terms and conditions for full warranty details.

Kingfisher Lighting

Rather Way

Crown Farm Business Park

Mansfield

Nottinghamshire

NG19 0FS

UK

T: +44 (0)1623 415900

E: sales@kingfisherlighting.com

www.kingfisherlighting.com

Luceco SE

C/ Bobinadora 1-5 08302

Mataró Barcelona Spain

www.luceco.com

Viva-City Pro

Please read instructions before installing!



1. Intended Use

The luminaire is intended for street lighting applications and column mounted use only. Any deviation from its intended use will not be covered by warranty.

2. General Safety

This luminaire is classified under EXEMPT GROUP according to photobiological safety standard IEC/EN 62471.

NO RISK for the operators and end users.



Caution risk of electric shock!

This unit must be fitted by a competent and qualified electrician.

Before carrying out maintenance and installation on the luminaire, disconnect from the mains supply and ensure that all power is switched off.

- Do not operate luminaires with damaged or missing safety glass.

- When installing, IEE wiring regulations and current building regulations must be observed.

- The light source contained in this luminaire shall only be replaced by the manufacturer or their service agent or a similar qualified person.

3. Specification

Depending upon model

Voltage: 220-240V ~ 50/60Hz

Wattage: 15-180W

IP: 66

Weight: 6.1– 10.7kg depending upon model

Min installation height 3M

Column size Ø: 60/76mm

4. Information Symbols



This is a class 1 product and must be earthed.



In accordance with EU Directive WEEE (Waste Electrical and Electronic Equipment), luminaires must not be disposed of with other household waste. At the end of their life, luminaires must be taken to the appropriate local facility available for the disposal or recycling of electronic products.

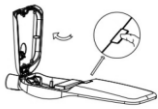


Replace any cracked protective shield.



Do not stare into the light source.

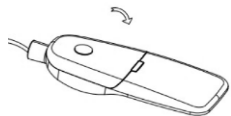
5. Installation Instruction



1. Ensure power is switched off. Open case by pressing the case release button.



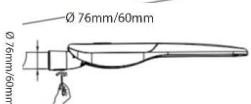
2. Connect mains wiring as per wiring instructions.



3. Close casing and ensure no wires are pinched and sealing gasket is fully engaged.



4. Mount Luminaire on column and set tilt level as required.



Side entry -10 + 5°, 5° increments.
Post top -15 +15°, 5° increments.
Once complete switch power on.



6. Wiring Instructions



Warning ensure power is disconnected before attempting any wiring!

STEP 1:

Make the following Electrical Connections:

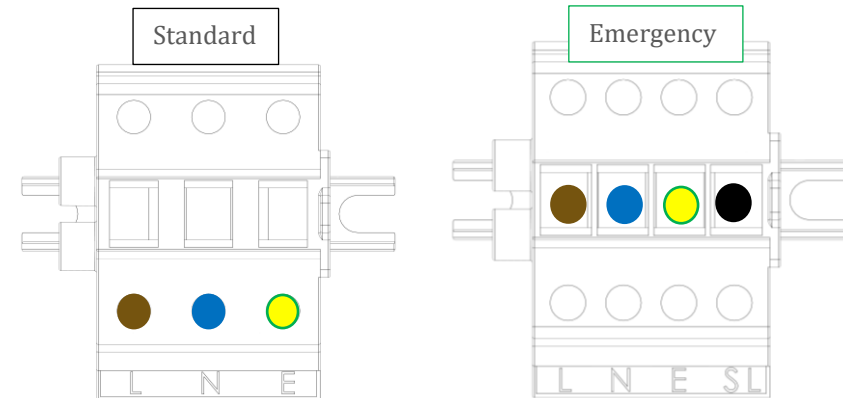
- a) Connect **INPUT EARTH** conductor to **YELLOW-GREEN WIRE** position of the terminal block marked ⊕.
- b) Connect **INPUT VOLTAGE** conductor to **BROWN WIRE** position of the terminal block, marked L.
- c) Connect **INPUT NEUTRAL** conductor to **BLUE WIRE** position of the terminal block, marked N.
- d) Connect **INPUT SWITCHED LIVE** conductor to **BLACK WIRE** position of terminal block marked SL (EMERGENCY ONLY)

STEP 2:

Make sure all excess input wires are inserted into terminals and screws are tightened.

STEP 3:

Close cover by firmly pushing cover towards fixture, making sure that no wires are pinched, and sealing gasket is fully engaged. Input cable should be at least H05RN-F 3x1.0mm² (SJTW 18AWG) or outdoor grade cable with rubber sheath (not supplied). The cable must have a minimum cross-sectional area of 1.0mm²(18AWG).



When installing luminaires with an integral photocell fitted care should be taken not to mount the luminaire in such a position that the photocell can see another external light source as this could cause nuisance switching of the luminaire

7. Warranty

Kingfisher Lighting Ltd offer a 5-year warranty on all LED luminaires on the basis that they are installed and operated in accordance with the manufacturer's instructions and within all thermal, electrical and environmental limitations. Any modifications made to the product by the customer will invalidate the warranty. Kingfisher Lighting Ltd reserve the right to repair or replace products at their discretion. Replacement of products does not include costs associated with installation. Terms and conditions apply.

Kingfisher Lighting

Ratcher Way

Crown Farm Business Park

Mansfield

Nottinghamshire

NG19 0FS

UK

T: +44 (0)1623 415900

E: sales@kingfisherlighting.com

www.kingfisherlighting.com

Viva-City Pro

Please read instructions before installing!



1. Intended use.

The luminaire is intended for street lighting applications and column mounted use only. Any deviation from its intended use will not be covered by warranty.

2. General Safety

This luminaire is classified under EXEMPT GROUP according to photobiological safety standard IEC/EN 62471.

NO RISK for the operators and end users.



Caution risk of electric shock!

This unit must be fitted by a competent and qualified electrician.

Before carrying out maintenance and installation on the luminaire, disconnect from the mains supply and ensure that all power is switched off.

- Do not operate luminaires with damaged or missing safety glass.

- When installing, IEE wiring regulations and current building regulations must be observed.

- The light source contained in this luminaire shall only be replaced by the manufacturer or his service agent or a similar qualified person.

3. Specification

Depending upon model

Voltage: 120-230V ~ 50/60Hz

Wattage: 15-180W

IP: 66

Weight: 6.1- 10.7kg depending upon model.

Max installation height 15M

Pole fitter diameter: Φ 60mm (2.4") / *48mm diameter needs longer screws

4. Information symbols



This is a class 1 product and must be earthed.



In accordance with EU Directive WEEE (Waste Electrical and Electronic Equipment), luminaires must not be disposed of with other household waste. At the end of their life, luminaires must be taken to the appropriate local facility available for the disposal or recycling of electronic products.



Replace any cracked protective shield

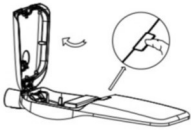


Do not stare into the light source.

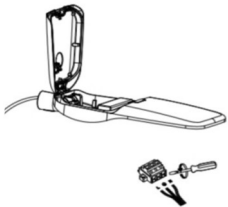
5. Installation instruction



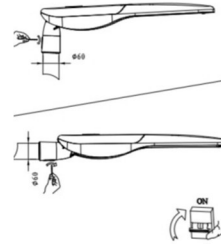
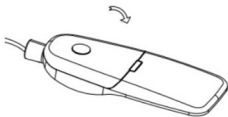
1. Ensure power is switched off.
Open case by pressing the case release button.



2. Connect mains wiring as per wiring instructions.



3. Close casing and ensure no wires are pinched and sealing gasket is fully engaged.



4. Mount Luminaire on column and set tilt level as required.

Once complete switch power on.

6. Wiring instructions



Warning ensure power is disconnected before attempting any wiring!

STEP 1:

Make the following Electrical Connections:

- a) Connect INPUT EARTH conductor to YELLOW-GREEN WIRE position of the terminal block, marked L.
- b) Connect INPUT VOLTAGE conductor to BROWN WIRE position of the terminal block, marked L.
- c) Connect INPUT NEUTRAL conductor to BLUE WIRE position of the terminal block, marked N.

STEP 2:

Make sure all excess input wires are inserted into terminals and screws are tightened.

STEP 3:

Close cover by firmly pushing cover towards fixture, making sure that no wires are pinched and sealing gasket is fully engaged.

Input cable should be at least H05RN-F 3x1.0mm² (SJTW 18AWG) or outdoor grade cable with rubber sheath (not supplied). The cable must have a minimum cross-sectional area of 1.0mm²(18AWG).

