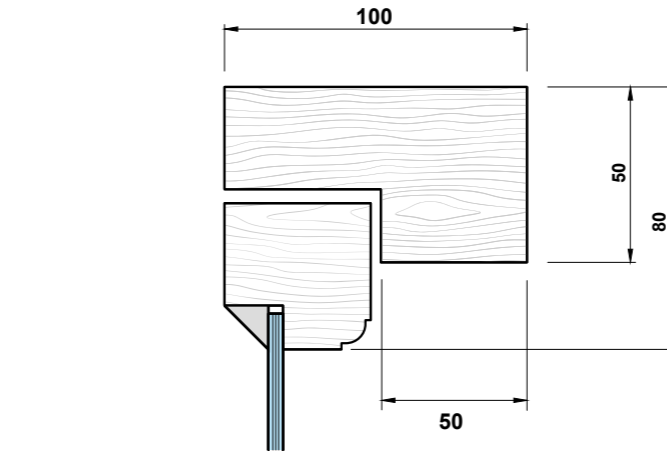


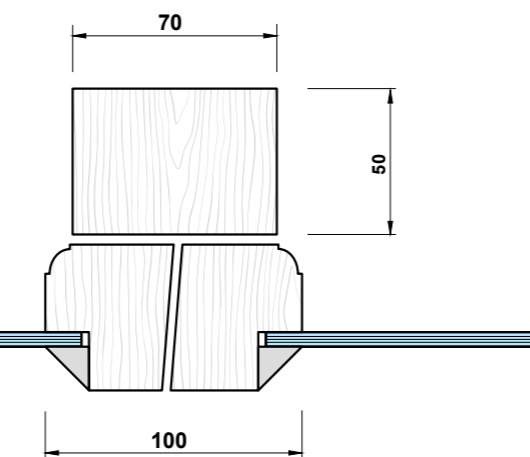
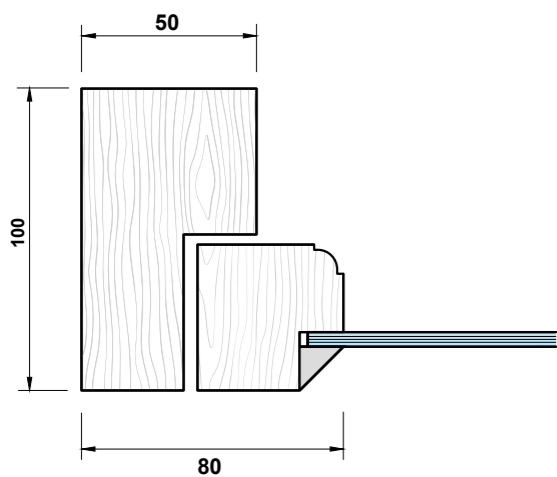
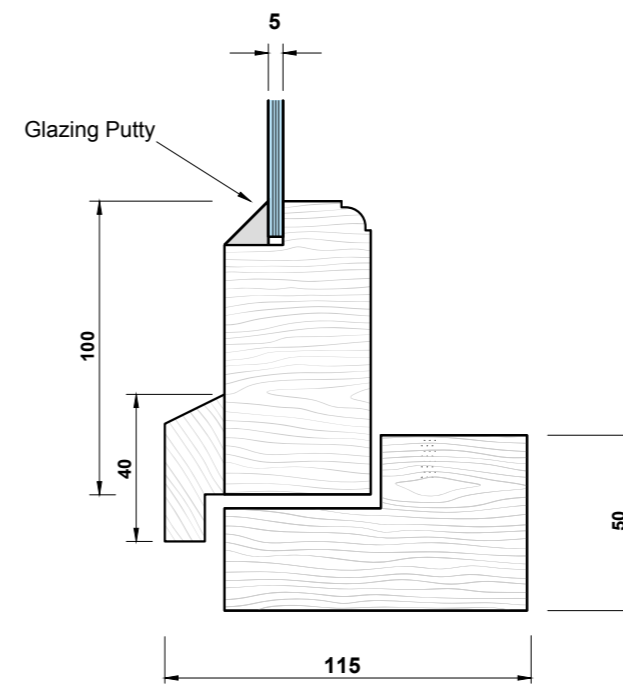
Front Elevation

(1:10 @ A3)



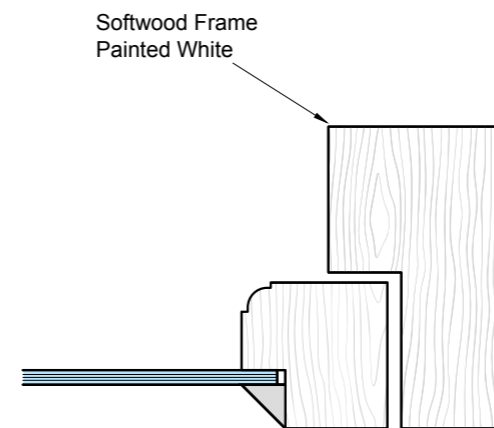
Section through B - B

(1:2.5 @ A3)



Section through A - A

(1:2.5 @ A3)



Notes:

Windows to be finished in polyester powder coat white to all visible surfaces.
 Glass IGUs to match existing glazing finish, namely:
 a. Clear to Window 1
 b. "Cotswold" obscure to Window 2.

Window sashes to open fully to provide means of escape in emergency.

Planning Application Detail
 for Rear Elevation
 Windows At:
 Hawks Mill
 Hawks Mill Street
 Needham Market
 Suffolk IP6 8LU

EXISTING