



Key

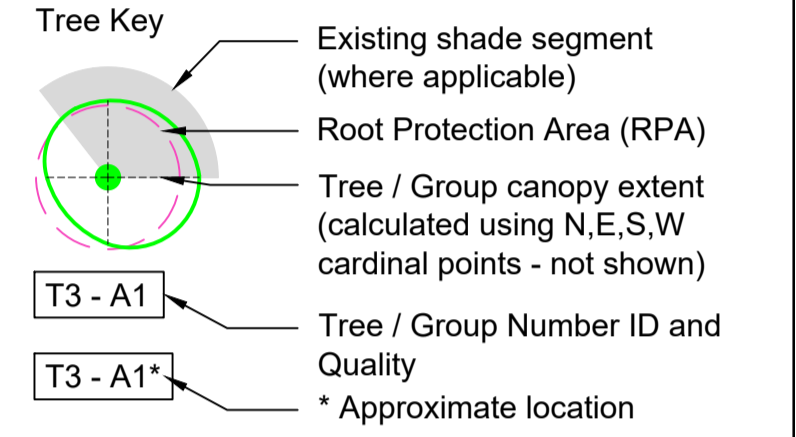
- Tree protection fencing (see Protective Barrier detail)
- Signage 'Construction exclusion zone - No Access'
- Construction Exclusion Zone
- Proposed tree planting (see Landscape scheme for details)
- Tree Preservation Order (TPO)
- Area of H1 to be retained

Quality and Suitability For Retention

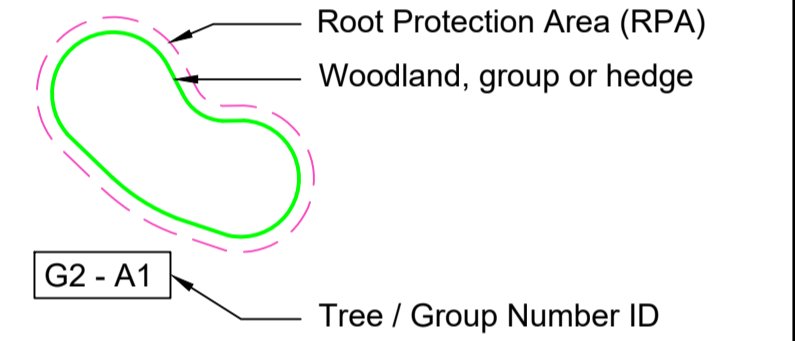
- Category A - High quality and value (Highly desirable for retention)
- Category B - Moderate quality and value (Desirable for retention)
- Category C - Low quality and value (Optional for retention)
- Category U - Poor quality and value (Unsuitable for retention)

Root Protection Areas (RPA)

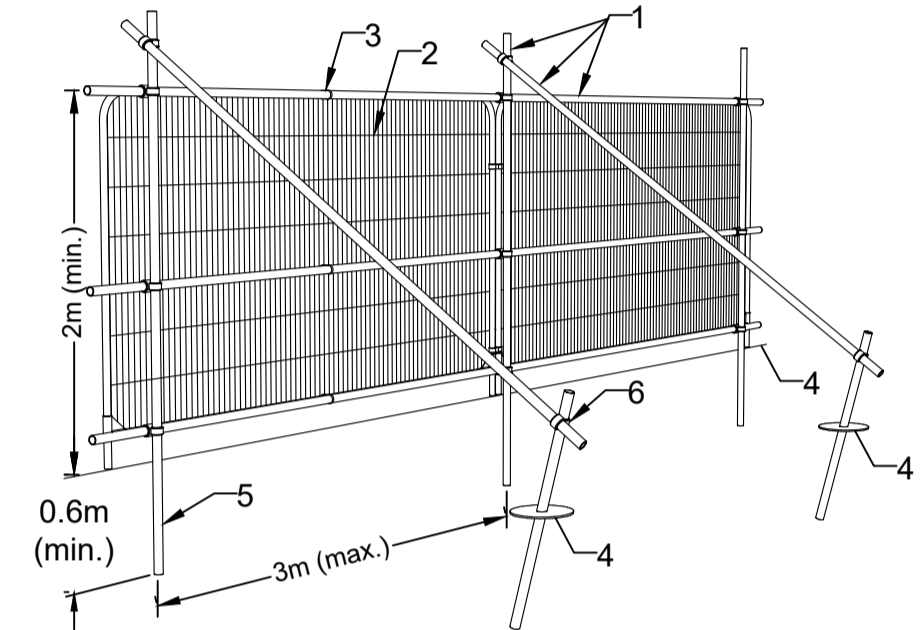
Root Protection Areas (RPA) identified are in accordance with BS5837:2012. RPA's are shown as a pink dashed polyline



Group / Area / Woodland / Hedgerow Key



Protective Barrier



- Key**
1. Standard scaffold poles
 2. Heavy gauge 2m tall galvanised tube and welded mesh infill panels
 3. Panels secured to uprights and cross-members with wire ties
 4. Ground level
 5. Uprights driven into the ground until secure (minimum depth 0.6m)
 6. Standard scaffold clamps

Tree Survey Summary				
Tree number on plan	Common name	Quality grading	RPA radius (m)	Protected status
T1				Tree removed subsequent to site visit
T2				Tree removed subsequent to site visit
T3				Tree removed subsequent to site visit
T4				Tree removed subsequent to site visit
T5				Tree removed subsequent to site visit
T6				Tree removed subsequent to site visit
T7				Tree removed subsequent to site visit
T8				Tree removed subsequent to site visit
T9				Tree removed subsequent to site visit
T10	Common ash	B1	9	TPO
T11	Common ash	C1	9	TPO
G1				Tree removed subsequent to site visit
G2				Tree removed subsequent to site visit
G3				Tree removed subsequent to site visit
H1	Ash, elder, snowberry, lilac	B2	As shown on plan	None
H2	Hawthorn, hazel	B2	As shown on plan	None

Notes

- 1) Survey Date 5th September 2023.
- 2) Owing to limitations of topographical survey, some tree/group locations are approximate.
- 3) This drawing has been produced to be printed in colour. If you have been given this drawing in monochrome please request a colour version.
- 4) Do not scale directly from this drawing.
- 5) This drawing is to be read in conjunction with all other MHP relevant MHP drawings and information supplied by other consultants.

C: New layout to avoid RPAs and change to scaffold barrier spec 13/12/23 GW MR
 B: New layout 6/12/23 JCS MR
 Rev: Date: Drawn: Checked:

Project: Land off Firs Close, Bledington

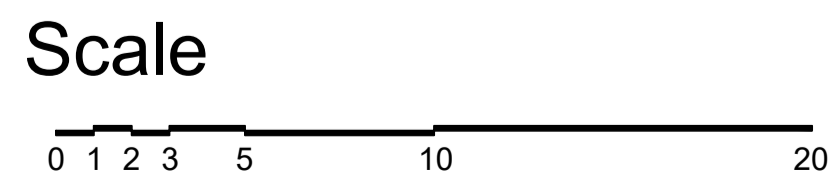
Client: DMD Group

Title: Arbicultural Impact Assessment and Tree Protection Plan

Drawing number: 23189.502 Rev: C

Status: FOR INFORMATION

Drawn By: GW Checked By: MR Date: 12-09-23 Scale @ A1: 1:200



**Land off Firs Close, Bledington
 Arb Impacts & Protection Plan**

