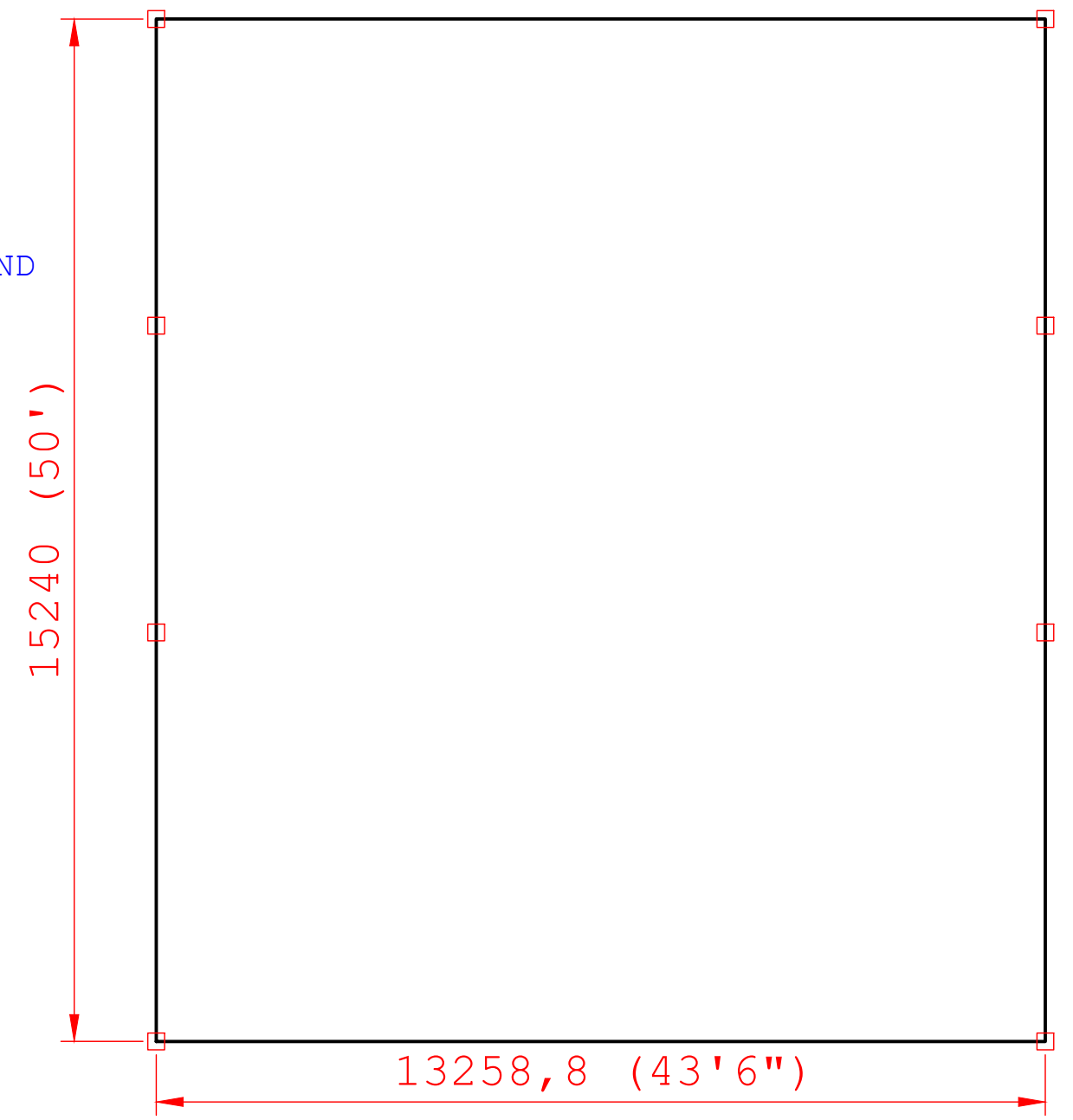
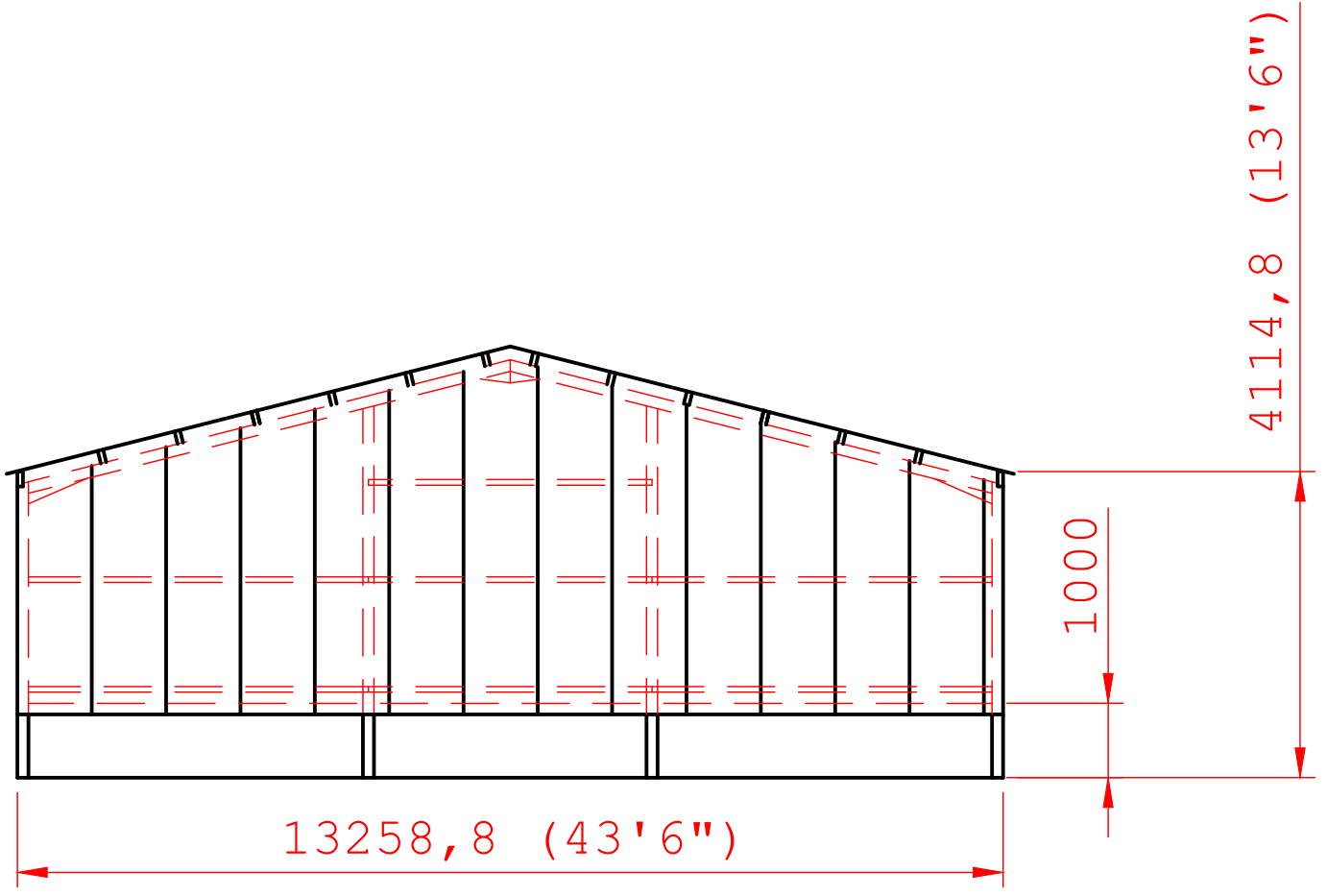
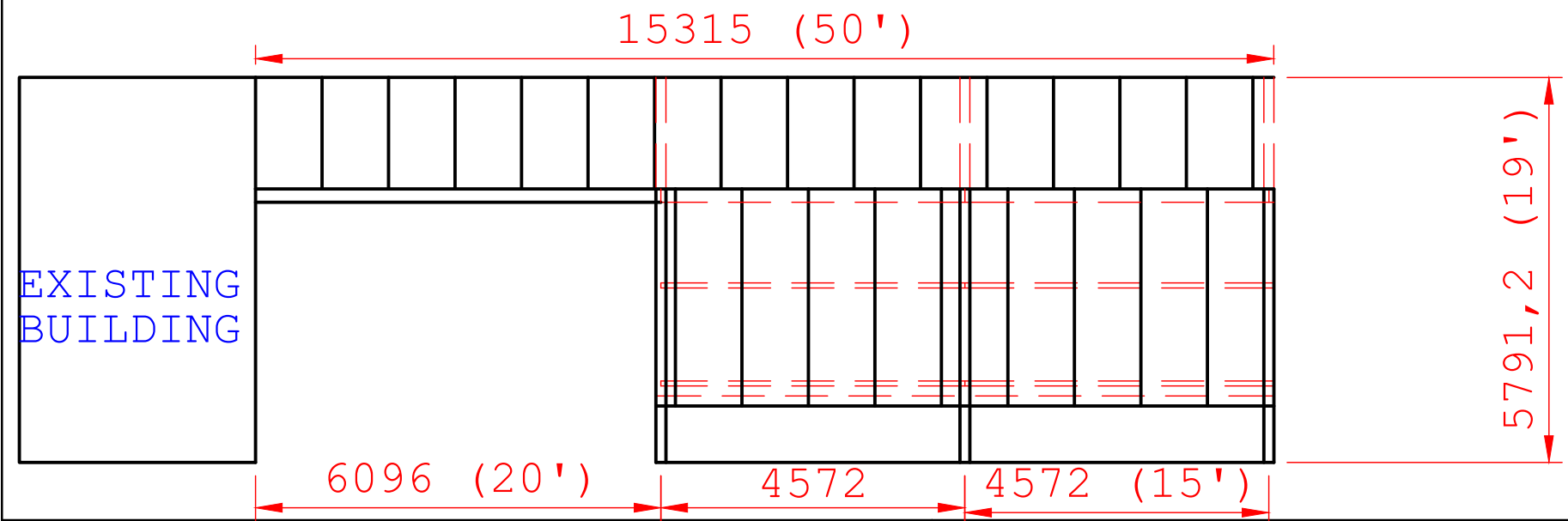


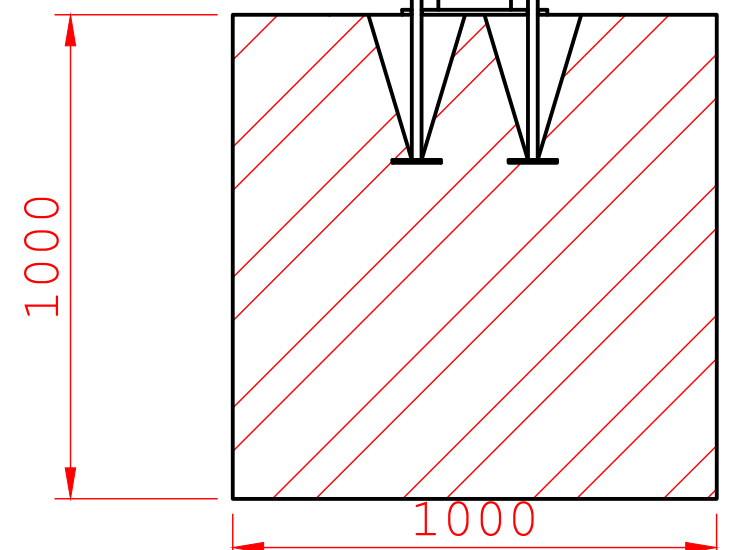
JUNIPER GREEN CLADDING DOWN TO 150MM BELOW PANELS ALL ELEVATIONS  
 14° ROOF PITCH  
 FIBRE CEMENT ROOF SHEETING  
 203x133 GALVANISED STEEL FRAME  
 176x75 TIMBER PERLINS  
 200x75 TIMBER EAVES BEAMS  
 125x75 TIMBER CLADDING RAILS  
 100MM THICK CONCRETE PANELS BETWEEN STEELS IN BOTH 15' BAYS AND ONE GABLE END



FLOORPLAN



1:16 VIEW OF FOOTING



1:100 @ A3

ALL DIMENSINSIONS MM UNLESS OTHERWISE STATED