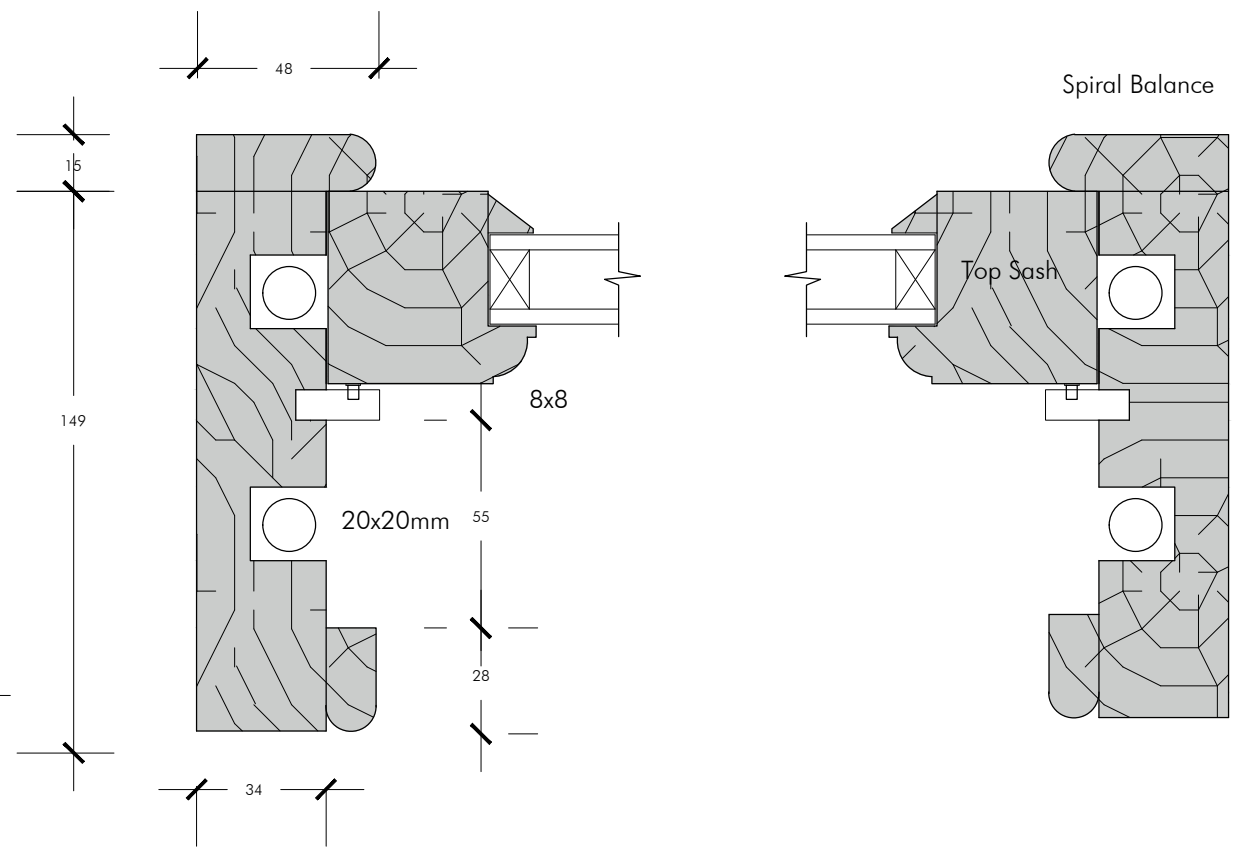
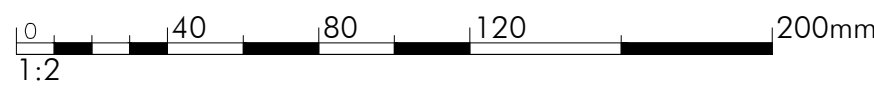


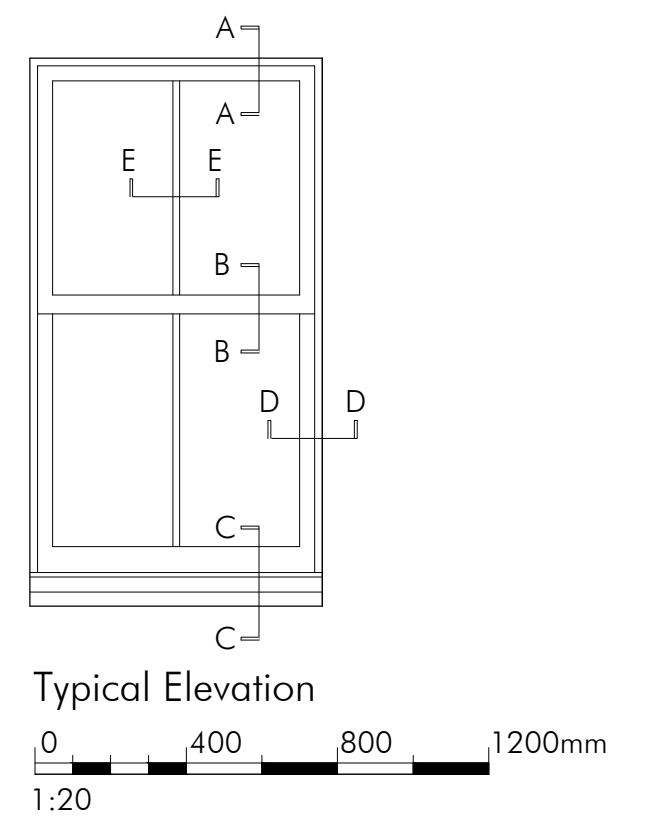
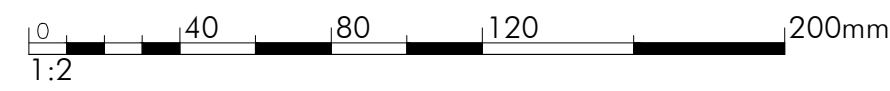
Proposed Sash & Case Window Details



Easy Clean Section

Astrigal Section

Proposed Sash & Case Window Standard Sliding Details



Typical Elevation

<b>CLIENT</b>	
Charlie Broughton	
<b>JOB TITLE</b>	
Replacement Windows at Stables Cottage Brae Street, Dunkeld PH8 0BA	
<b>DRAWING TITLE</b>	
Proposed Window Details	
<b>JOB No.</b>	
278	
<b>DRAWING No.</b>	<b>REV.</b>
L 03	
<b>DATE</b>	<b>REV. DATE</b>
20.12.2023	
<b>SCALE</b>	<b>DRAWN</b>
1:2 & 1:20 @ A3	Jo

T +44(0)1764 654897  
M +44(0)7551 795363  
E jo@constructarchitects.co.uk

www.constructarchitects.co.uk  
CONSTRUCT ARCHITECTS LTD  
GREENWAYS STUDIO  
GWYDYR ROAD  
CRIEFF PERTHSHIRE PH7 4BS

