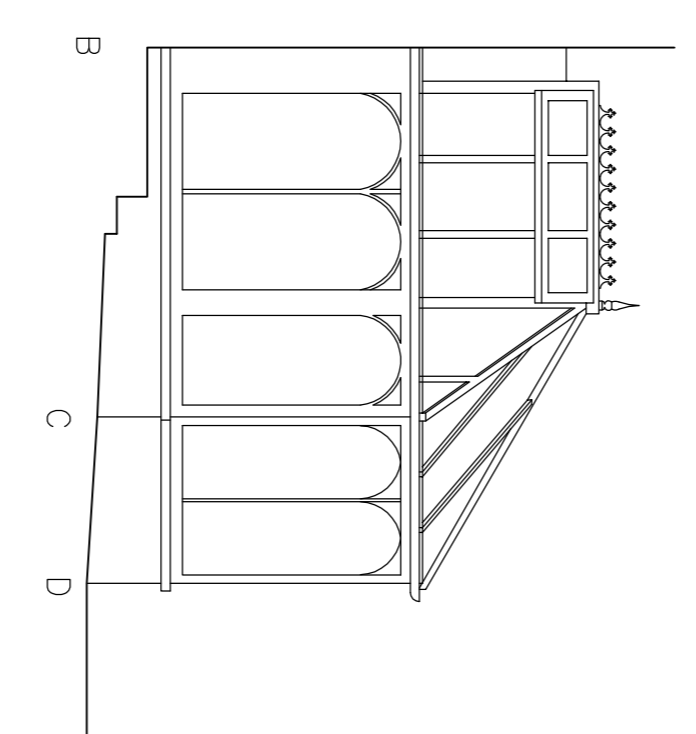


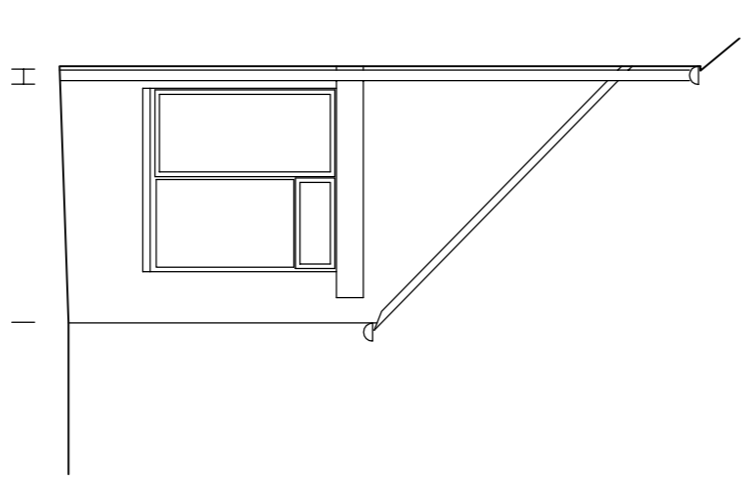
THE CHEQUERS  
REAR/NORTH-WEST ELEVATION

DATUM 114.00m A.O.D. -----



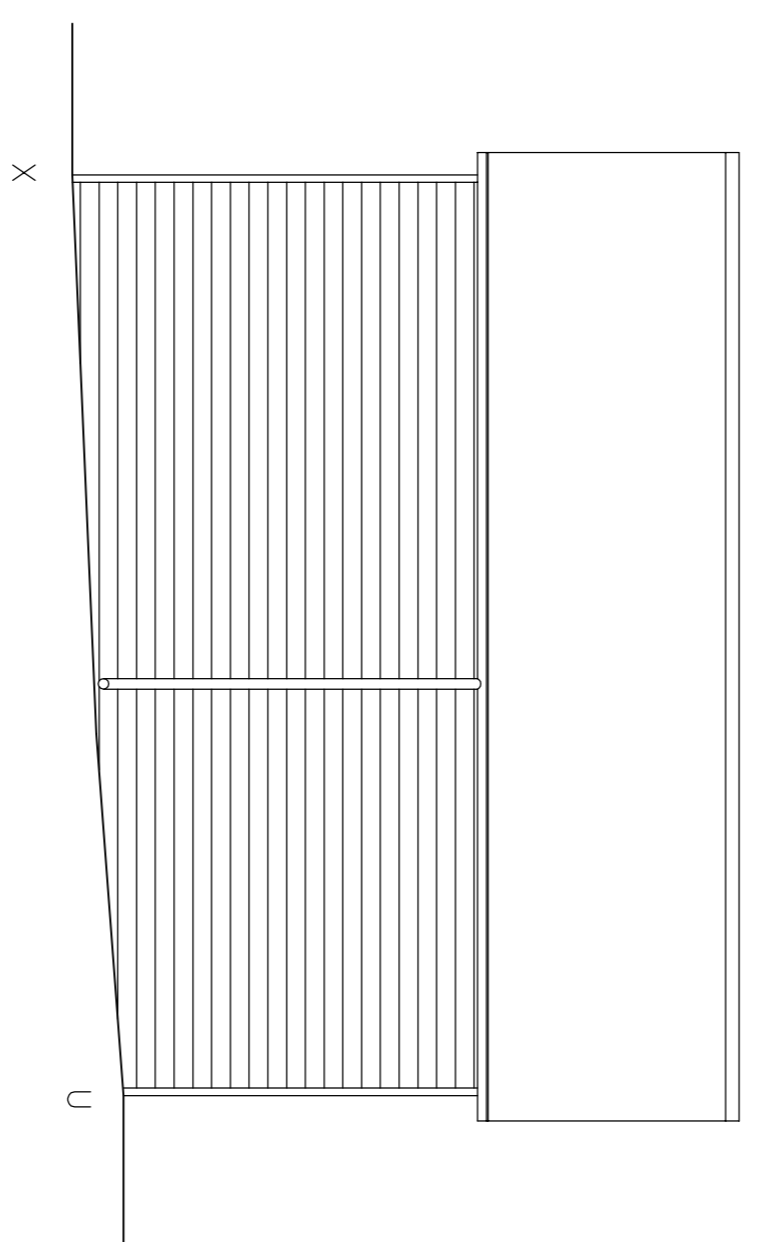
THE CHEQUERS  
SIDE/SOUTH-WEST ELEVATION

DATUM 114.00m A.O.D. -----



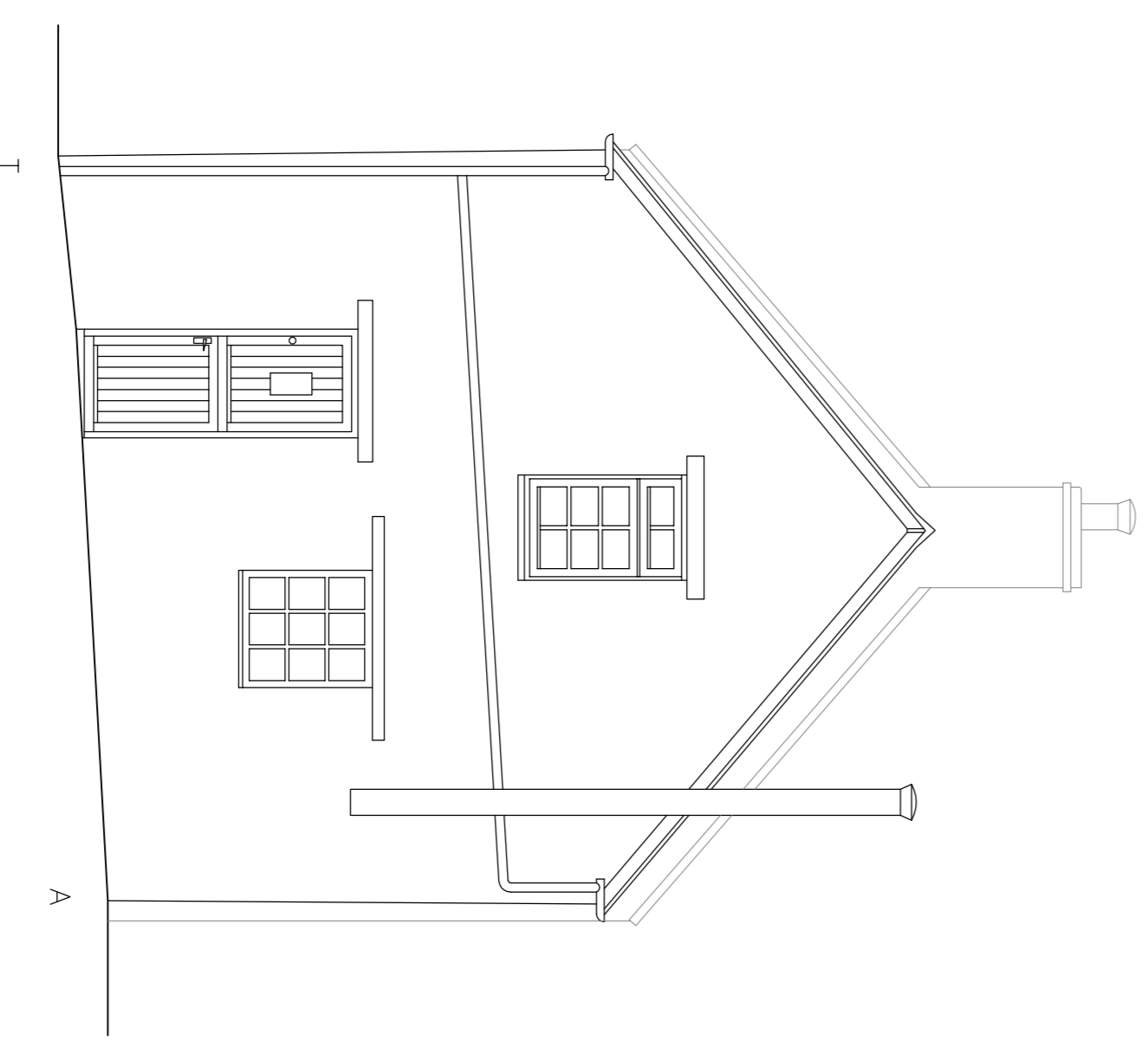
THE CHEQUERS  
SIDE/SOUTH-WEST ELEVATION

DATUM 114.00m A.O.D. -----



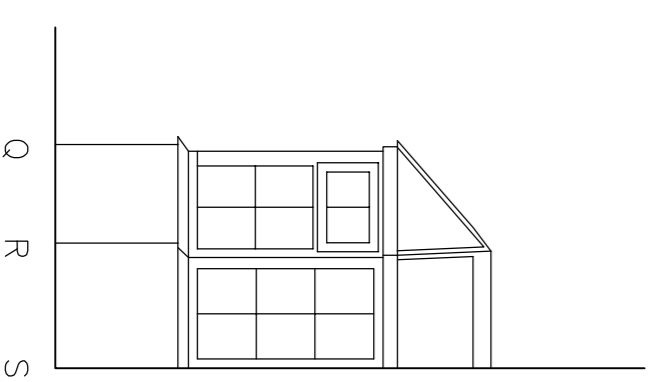
GARAGE  
SIDE/SOUTH-WEST ELEVATION

DATUM 114.00m A.O.D. -----



THE CHEQUERS  
SIDE/SOUTH-WEST ELEVATION

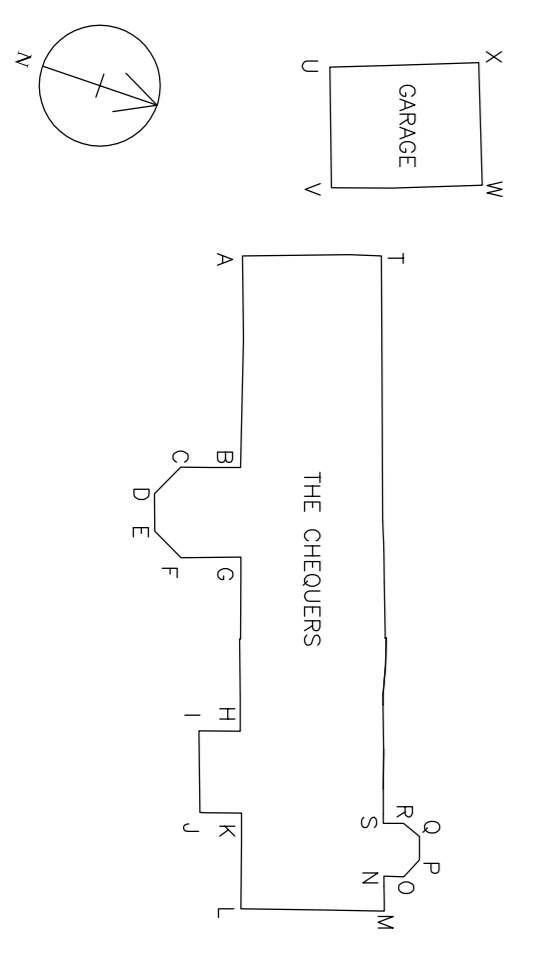
DATUM 114.00m A.O.D. -----



THE CHEQUERS  
SIDE/SOUTH-WEST ELEVATION

DATUM 114.00m A.O.D. -----

**Elevation Key**



**Notes**  
 - Datum - Ordnance Survey level datum via OS Active GPS Network  
 - Survey contents correct as of date of survey and survey undertaken to agreed specification  
 - All critical dimensions to be checked prior to site works

**AD HORNOR LTD**  
 LAND AND MEASURED BUILDING SURVEYORS

51 Bridge Street  
 Pershore  
 Worcestershire  
 WR10 1AL

1 Folly House  
 Venton  
 Plymouth, Devon  
 PL7 5DS

Telephone: 01386-555486 Telephone: 01752-837382  
 Website: www.adhonor.co.uk  
 E-mail: enquiries@adhonor.co.uk

Title	The Chequers, Drycot, Moreton-in-Marsh, Gloucestershire GL56 9UB	Drawing No.	723-09NOV23-07
Client	Julian Linsley	Revision	
Date	November 2023	Plot scale	1:50 on A1 Sheet
		Digital scale	1 CAD unit: 1 metre
Surveyed	BPF	Checked	JKW

© A.D.Hornor Limited 2023