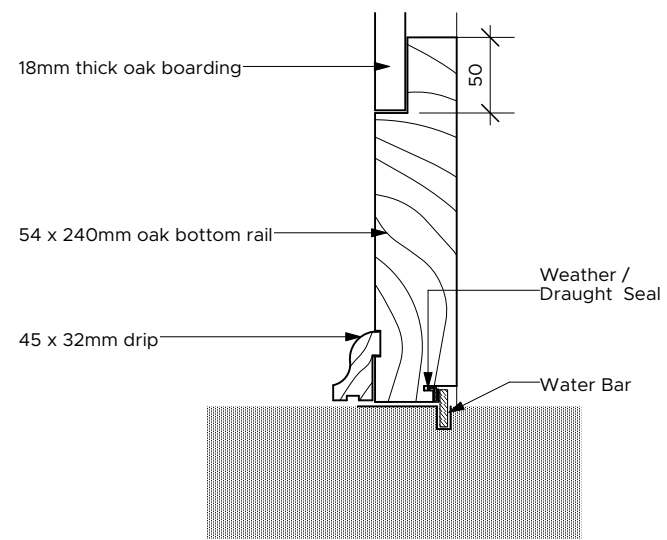
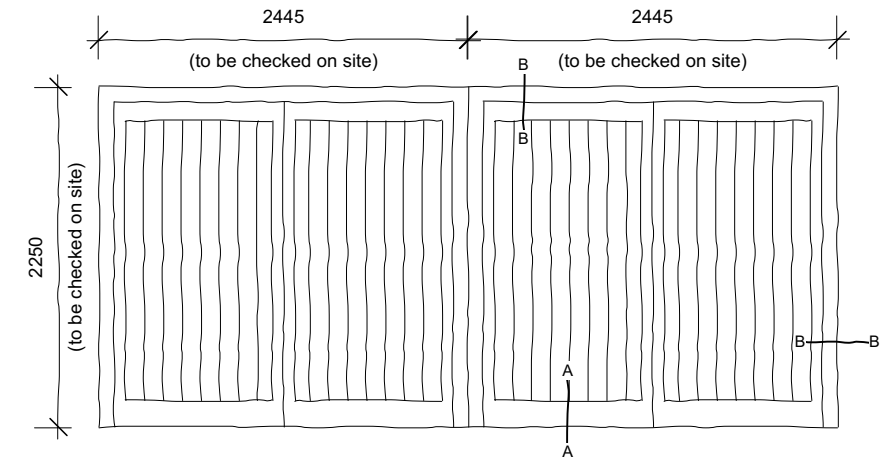


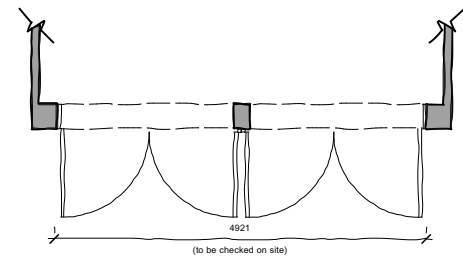
1 Proposed North - East Elevation
Scale: 1:100



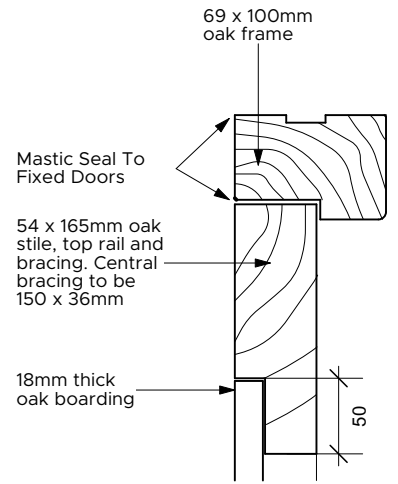
3 A-A Cill Detail
Scale: 1:5



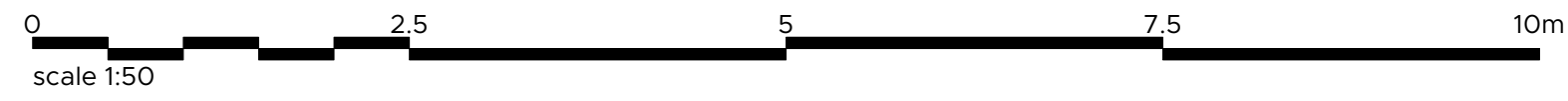
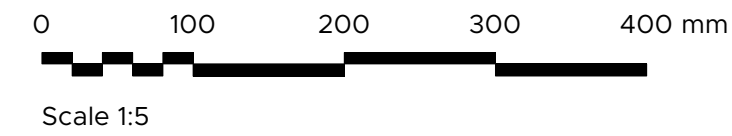
5 Proposed Garage Door
Scale: 1:50



2 Proposed Garage Doors (plan)
Scale: 1:100



4 B-B Head/Jamb Detail
Scale: 1:5



Market Place / Hadleigh / Ipswich / Suffolk / IP7 5DN
T / 01473 827992 E / enquiries@wk-architects.co.uk
Do not scale from drawing; work to figured dimensions only.
Copyright © Wincer Kievenaar Architects Limited
5908_PA_01 Proposed Elevations and Details.vwx



PROJECT Proposed Works to
Stuart House, The Green
Wacton, NR15 2UN
CLIENT Boone, Mr. F
STATUS FOR PLANNING

TITLE Proposed Garage Details
SCALE 1:5/50/100 SHEET SIZE A3
ISSUE DATE January - 2024
AUTHOR CM CHECK CW

REVISION	DESCRIPTION	DATE	DRAWN	CHECK

JOB No. **5908** DRAWING No. **PA_02** REVISION