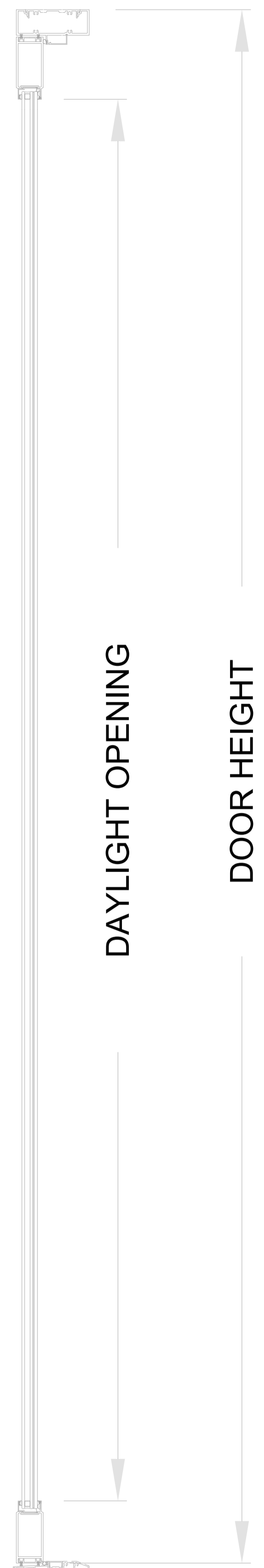


This drawing is COPYRIGHT. It must not be reproduced or disclosed to third parties without our prior permission. Do not copy this drawing, or interrogate and use electronic information.

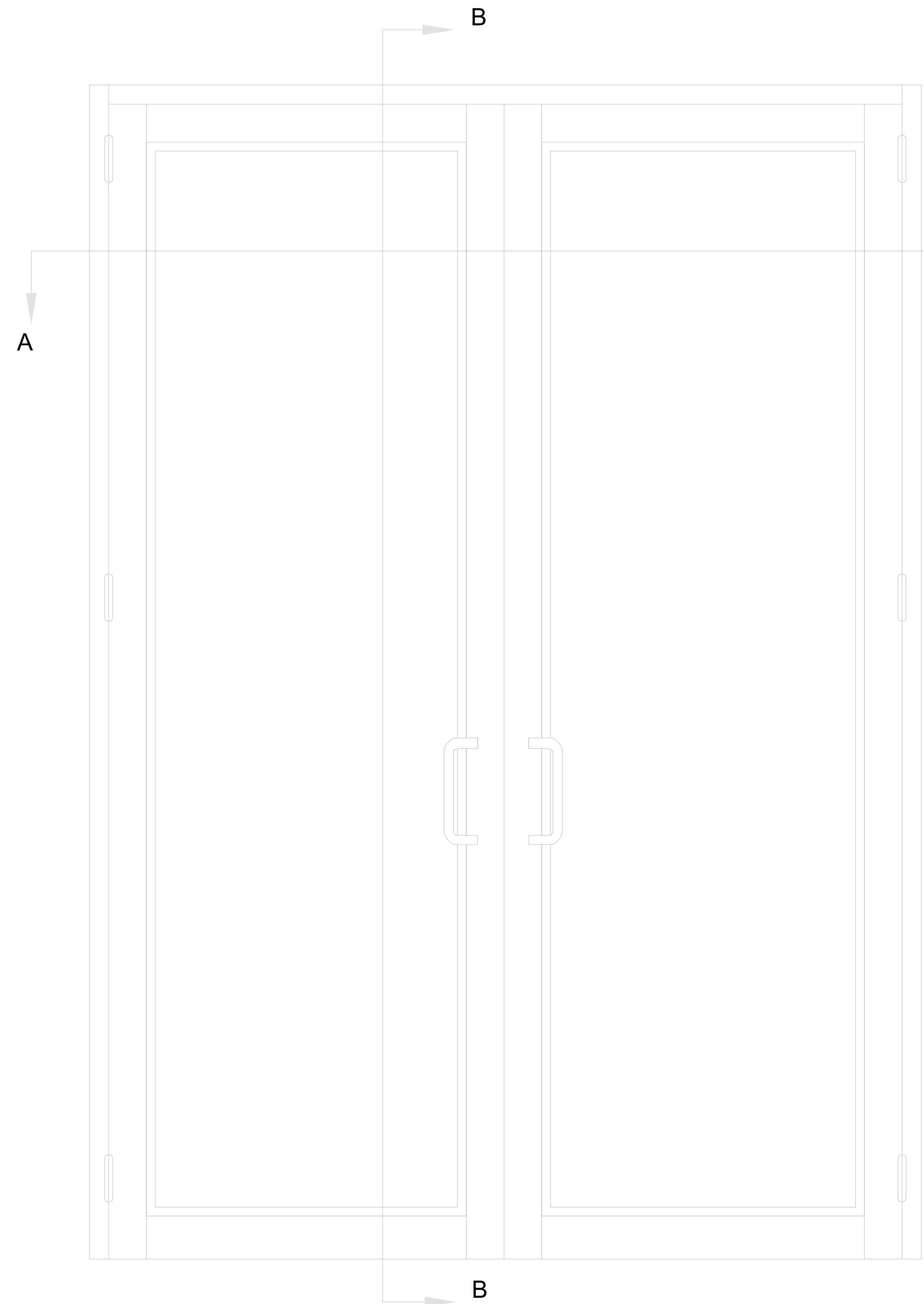
Any discrepancies should be reported immediately.

Any surveyed information incorporated within this drawing cannot be guaranteed as accurate unless confirmed by a fixed dimension. All dimensions are in millimetres unless noted otherwise.

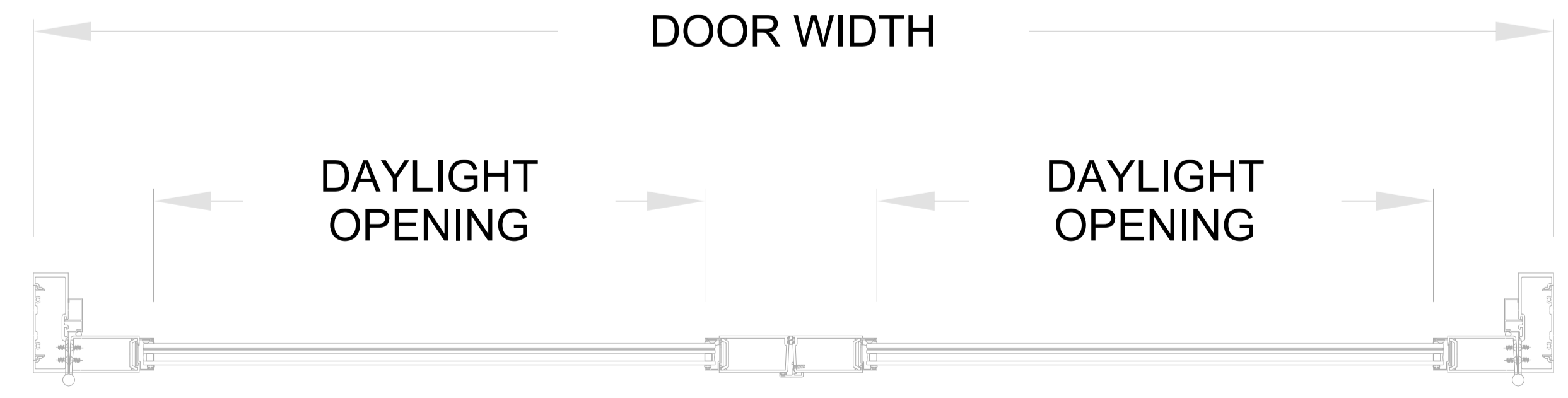
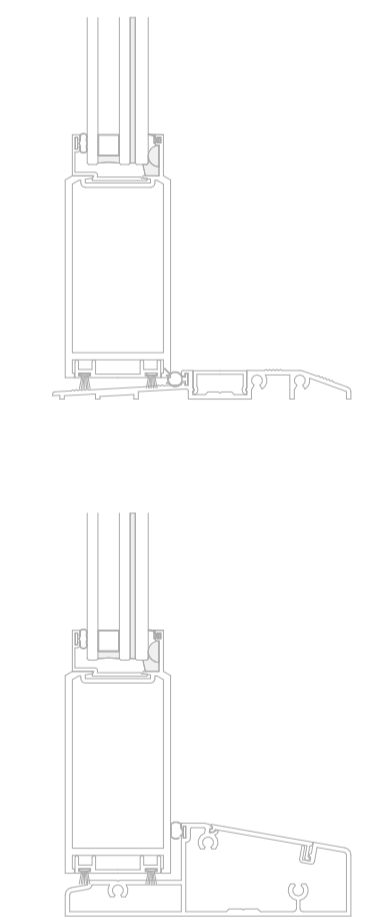
Note:
 All windows and doors are to be anthracite aluminium.
 All windows and doors are to be sourced from Eurocell Ltd.



SECTION B-B



EXTERIOR ELEVATION



SECTION A-A

| | | | |
|--|-------------------------|---|--------|
| Project :- New Annex at Pen Y Bont, Cemmaes Road, Machynlleth, Powys SY20 8JY | | | |
| Drawing Status :- Stage 3a - DOC | | Drawing Title :- Condition 6 - Window & Door Details | |
| Scale :- 1 : 5 | Date :- 11.12.23 | Drawing No :- Y038.3a. 1.600 | Rev :- |
| Drawn by :- KT | Checked :- | | |