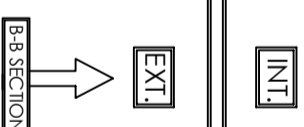
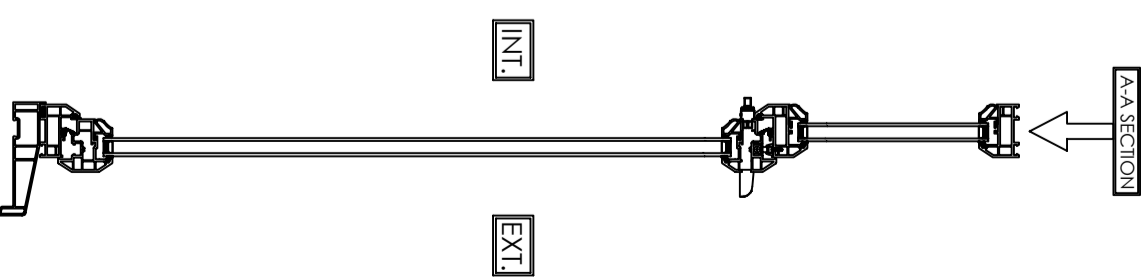
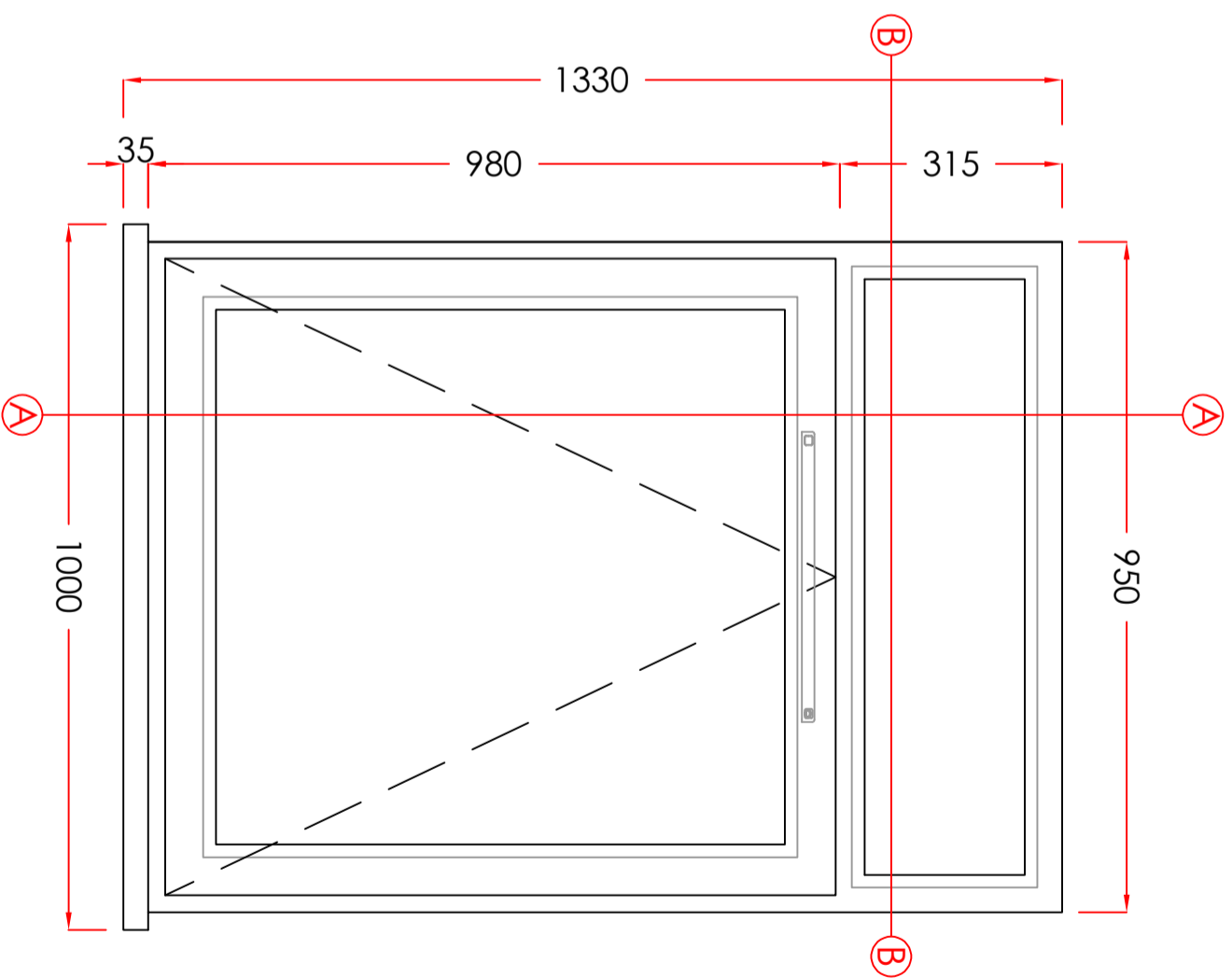


3. HALL

MATERIAL - PVCU
INTERNAL & EXTERNAL COLOUR - WHITE
GLAZING - 24MM SEALED UNITS

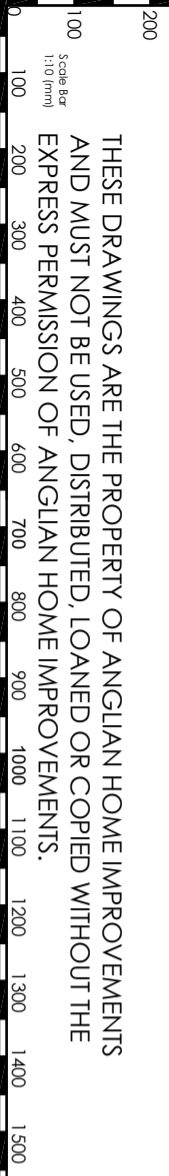


4. KITCHEN

MATERIAL - PVCU
INTERNAL & EXTERNAL COLOUR - WHITE
GLAZING - 24MM SEALED UNITS

VIEWED EXTERNALLY

THESE DRAWINGS ARE THE PROPERTY OF ANGLIAN HOME IMPROVEMENTS AND MUST NOT BE USED, DISTRIBUTED, LOANED OR COPIED WITHOUT THE EXPRESS PERMISSION OF ANGLIAN HOME IMPROVEMENTS.



Scale - 1:10
(Produced on A3 Paper)

Sheet 2 Of 4

Drawers Initials
SF

CONTRACT No.: 30397234

date: 03/01/2024

PROPOSED: WINDOW REPLACEMENT
AT: 3 BEACON COTTAGES
(INSTALLATION ADDRESS)
TALATON
EXETER
DEVON, EX5 2SA

