



VISUAL SCALE 1:50 @ A1



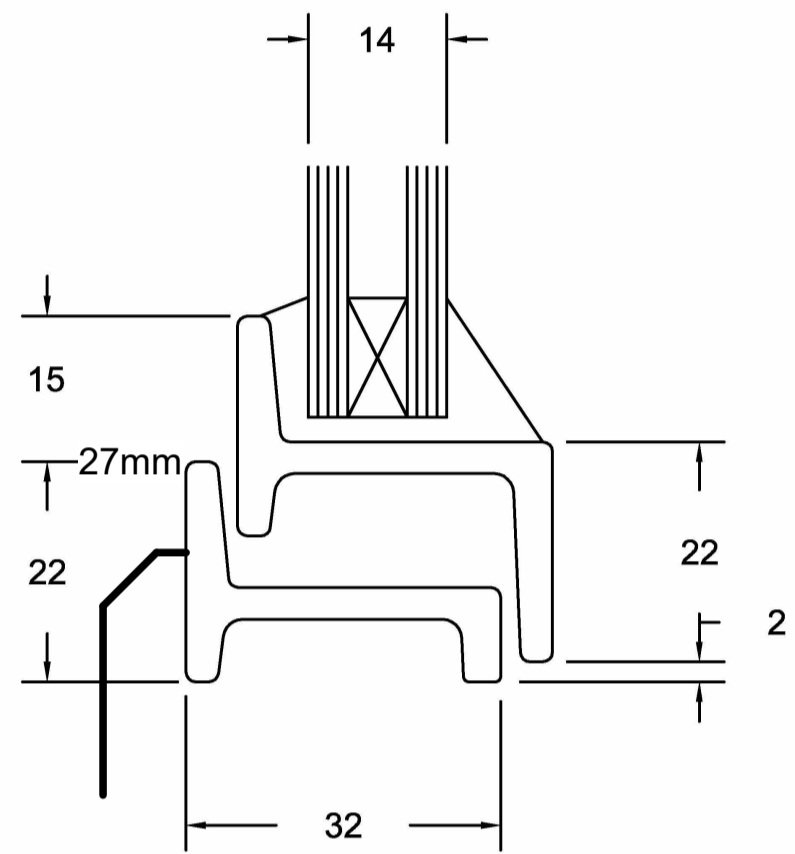
VISUAL SCALE 1:100 @ A1

A1

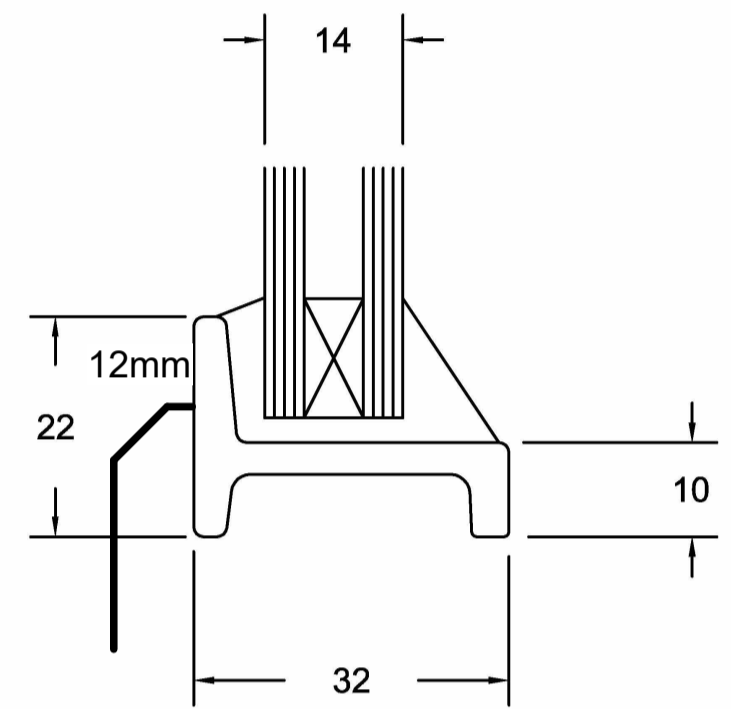
Comments

1 Single Power Socket	FIRE Fire Alarm Panel	▬ Distribution Board
2 Double Power Socket	SS Shaver Socket	⊙ Smoke Detector
C Cooker Point	SP Speaker Point	⊕ Heat Detector
↳ Unswitched Fused Spur	TV TV Aerial Point	⊖ Carbon Monoxide Detector
⊕ External Power Socket	FB Floor Box	⊗ Extract fan
⊕ Telephone Point	FS-2 Floor Socket	⊙ Underfloor heating control
D Cat 6 Data Point	⊖ Passive Extract	
⊕ Extract Vent	⊖ Mechanical Extract	

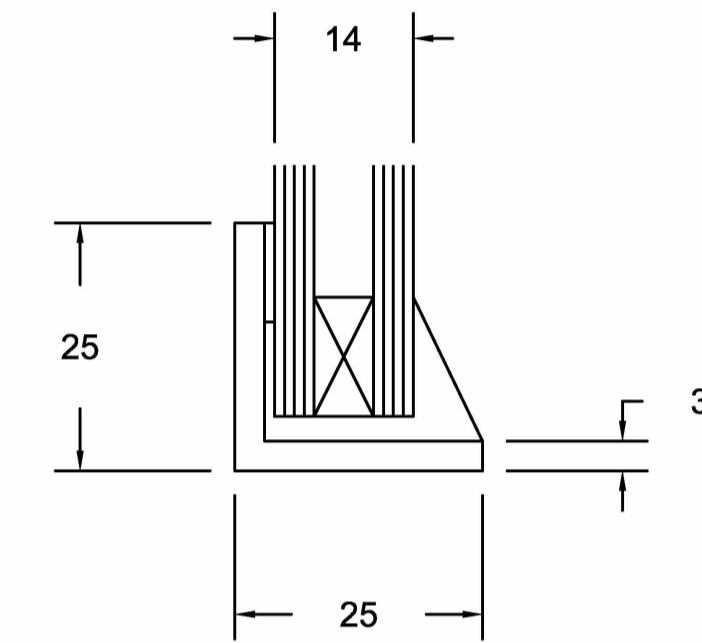
W20 WINDOW SECTIONS
14mm Double-Glazed Units
W7 Equal Leg Frame
Opening Light



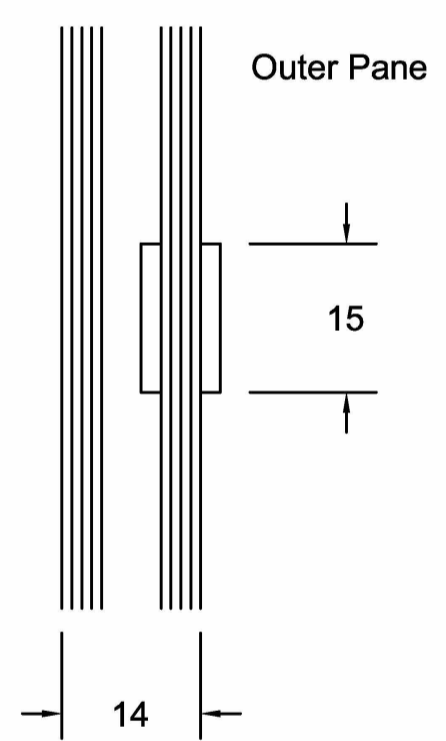
W7 Equal Leg Frame
Fast Frame - Option 1



Angle Frame
Fast Frame - Option 2



15mm Horizontal Lead



The windows whether opening or not will sit within the stone work of the windows so profile will be 10mm less around the frame.

Example being:

W7 = profile 22mm with 10mm behind stone surround so viewable frame is 12mm only

General Notes

Do Not Scale
ALL VIEWED FROM OUTSIDE
Manufacturing Sizes TBC
Chevrons: Point = Hinge Side
Colour: TBC
W20 Window Sections/Steel Angle Frames
29mm Steel Tee Bars
Ironmongery: TBA
Glazing:
4-6-4 (14mm) Slimline Double Glazing
Clear Low E Glass
Warm edge spacer bars
Krypton filled cavity
Single Horizontal 15mm Lead
Glazing Silicone: TBC

Peter Helgossion
Burwalls Lodge, Bristol
Steel Windows - Sections
Drg. No. M23560 101
APPROVAL
Scale: 1:1 @ A3
21 December 2023

Mike Honour Windows Ltd
Incorporating Leadlight & Ornaments
Unit 85, Northwick Business Centre, Blockley
Moreton-in-Marsh, Glos. GL56 9RF
Tel: (01386) 701079 Fax: (01386) 701114
E-mail: sales@mikehonourwindows.co.uk
Web: www.mikehonourwindows.co.uk

Wall Structure Key:

▬	Cavity Wall: Render
▬	Cavity Wall: Face Brick
▬	Block Work: 100mm
▬	Studwork Wall: 75mm
▬	Metal Frame: 70mm
▬	Solid Brick Wall: 215mm
▬	Solid Block Wall: 215mm
▬	Structural Opening
▬	Walls Removed

Please note:
All drawings are for the purposes of planning only unless marked for construction.

All builders to site measure to confirm measurements.

Report all discrepancies to the person named below, do not proceed without instruction.

BRO take no responsibility should any drawing/s unless specified are used for building purposes and measurements aren't checked on site.

All drawings remain the property of BRO Architecture

Drainage Key

S	Storm Drainage
MH	Manhole
FD	Foul Drainage
SVP	Soil Vent Pipe
GP	Gulley Pot
RWP	Rainwater Pipe
AD	ACO Drain

Ducting Colour & Use

Red	Electric cable
Yellow	Gas Pipe
Blue	Water pipes
Green	Data/Comms
Grey	BT
Purple	Security - Cameras
Orange	Garden Lighting non Security

DRAWING NUMBER
P1-11

BRO ARCHITECTURE
DESIGNING YOUR DREAMS
Mobile: 07508 856621
Website: www.broarchitecture.co.uk
E-mail: info@broarchitecture.co.uk

CLIENT
Peter Helgossion
SITE ADDRESS
**Burwalls Lodge
BS8 3PT**

PROJECT NAME
**Proposed Windows and Front
Door Replacement**

DRAWING NAME
Proposed Window Details - PG3

DATE
01/18/23
REV
DRAWN BY
SH
SCALE (@ A1)
CHECKED BY
Client
PROJECT NUMBER
SH/BRO/201223-PH