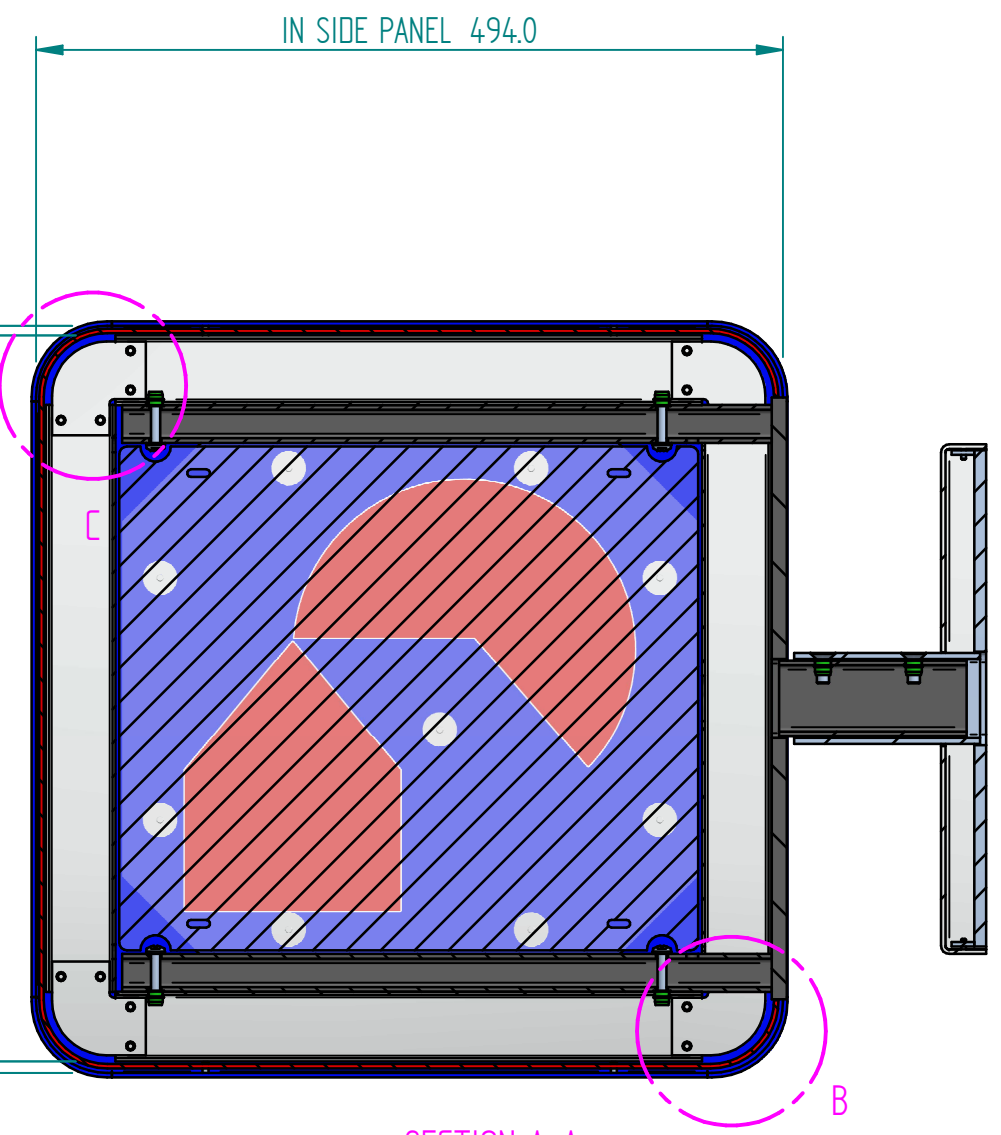
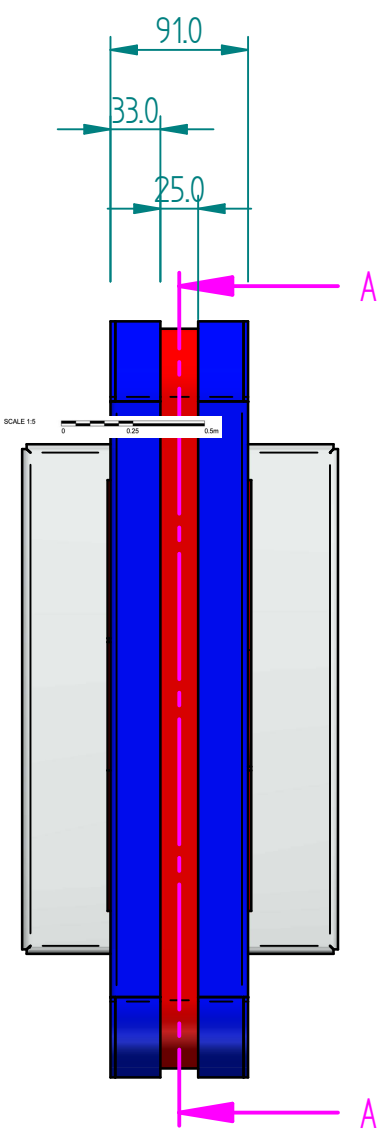
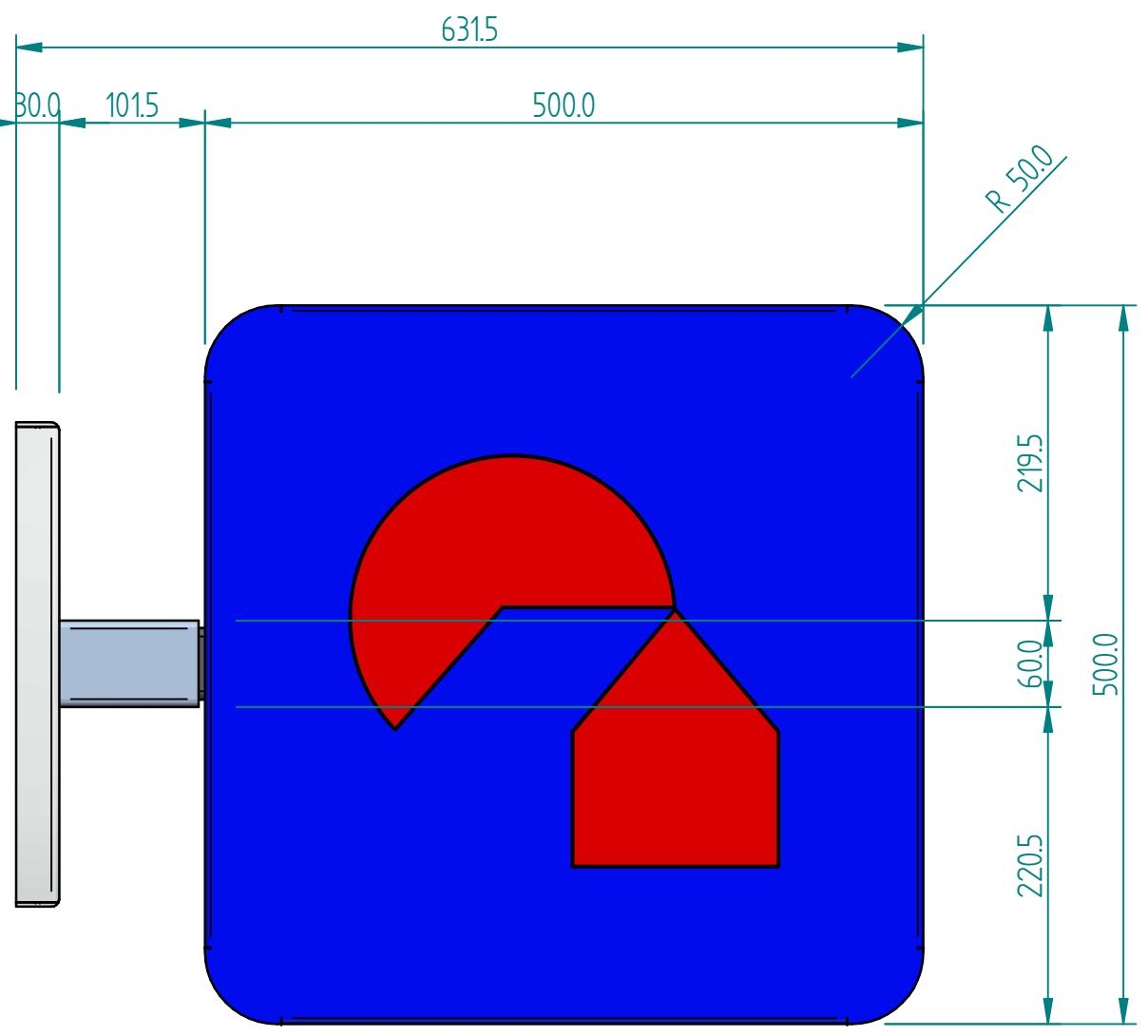
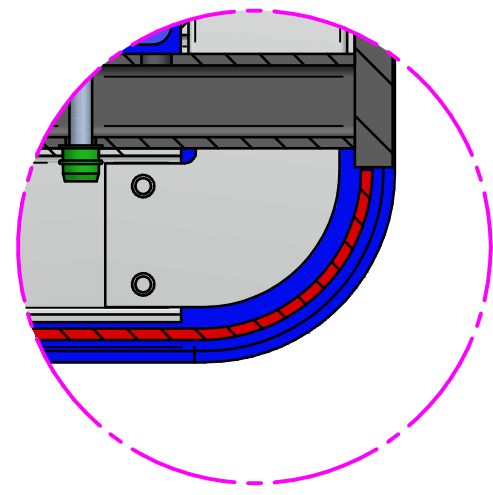
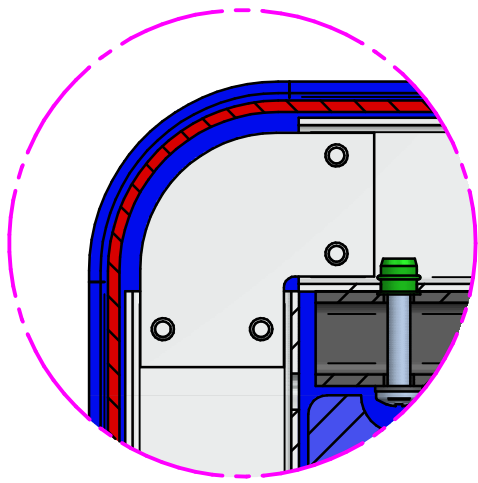
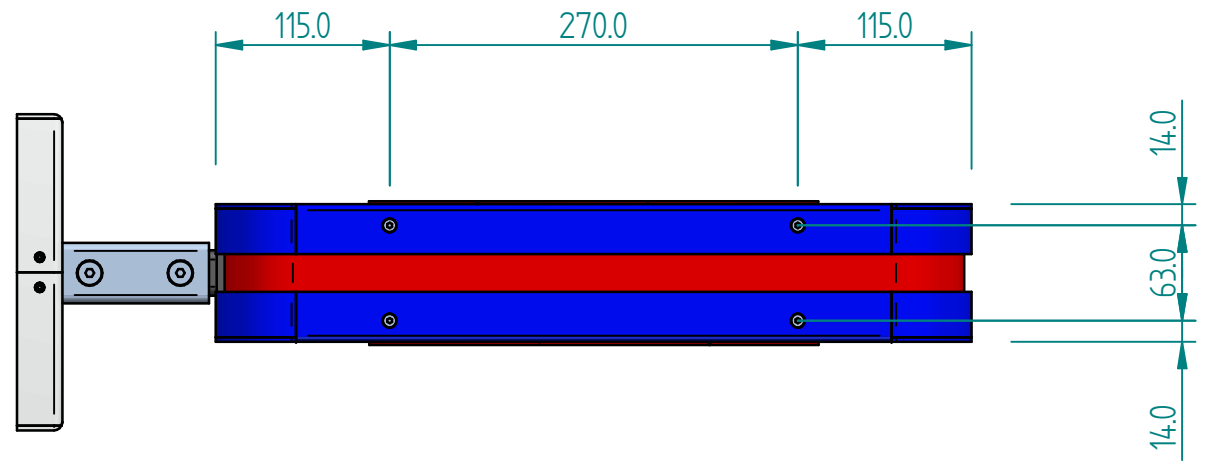
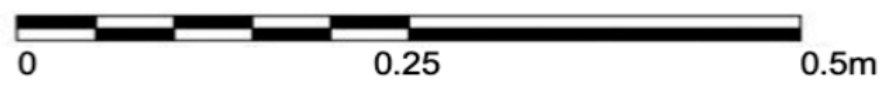


| Revisions | | | |
|-----------|------------|-------------------|----------|
| Rev No | Date | Brief Description | Actioned |
| 01 | 18/08/2023 | FIRST ISSUE | TH |

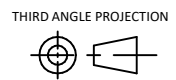


SCALE 1:5



THIS DRAWING IS THE PROPERTY OF OMEGA SIGNS LTD AND MUST NOT BE PASSED TO THIRD PARTIES WITHOUT PRIOR CONSENT. ANY UNAUTHORISED USE OF THIS DRAWING WILL RESULT IN A DESIGN FEE BEING CHARGED.

ALL DIMENSIONS IN MILLIMETRES (mm) UNLESS STATED OTHERWISE - DO NOT SCALE -
 DECIMAL X.X ± 0.1
 DECIMAL X.XX ± 0.05
 ANGLE X.Xº ± 0.1



SCALE @ A3: 1:5
 SHEET: SHEET 2 OF 3
 DATE: 31/07/2023

CLIENT: NATIONWIDE
 DRAWN BY: ian wilson
 APPROVED BY: Tom Howley

MATERIAL:
 TREATMENT:
 MASS: 17.471 kg

REV NO: 01

DRAWING NO: 30093_PR02_A01
 TITLE: ARRGT-GENERAL ASSEMBLY

ASSY / ELEC