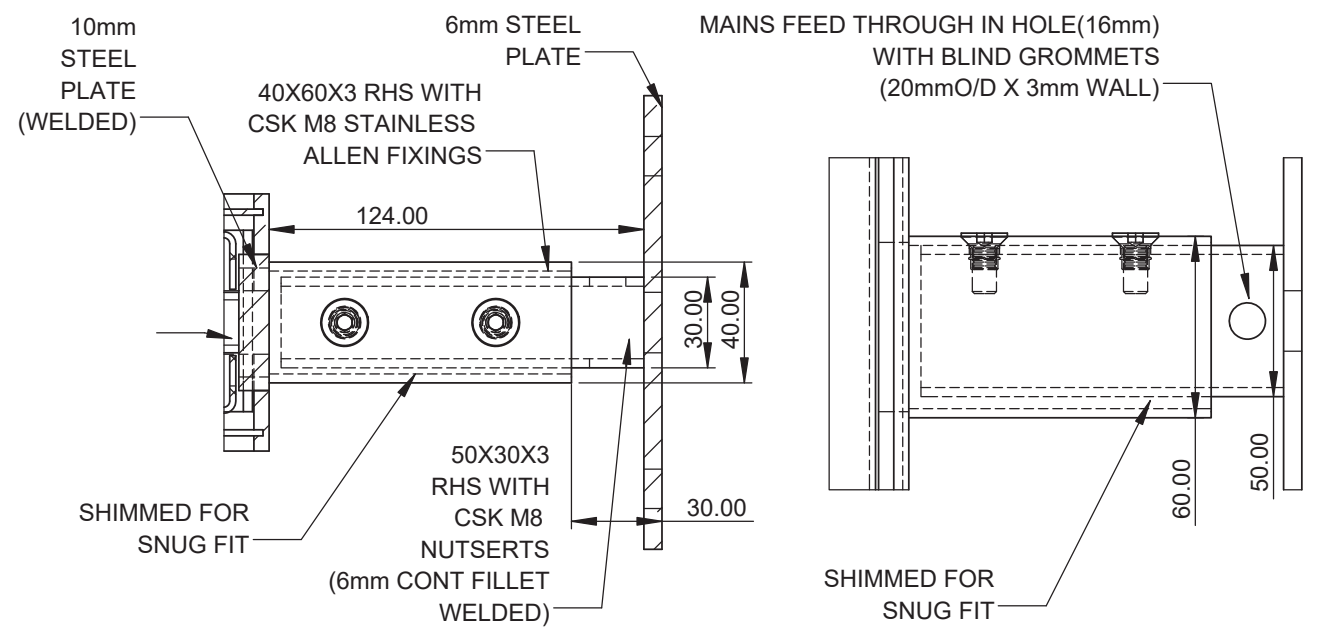
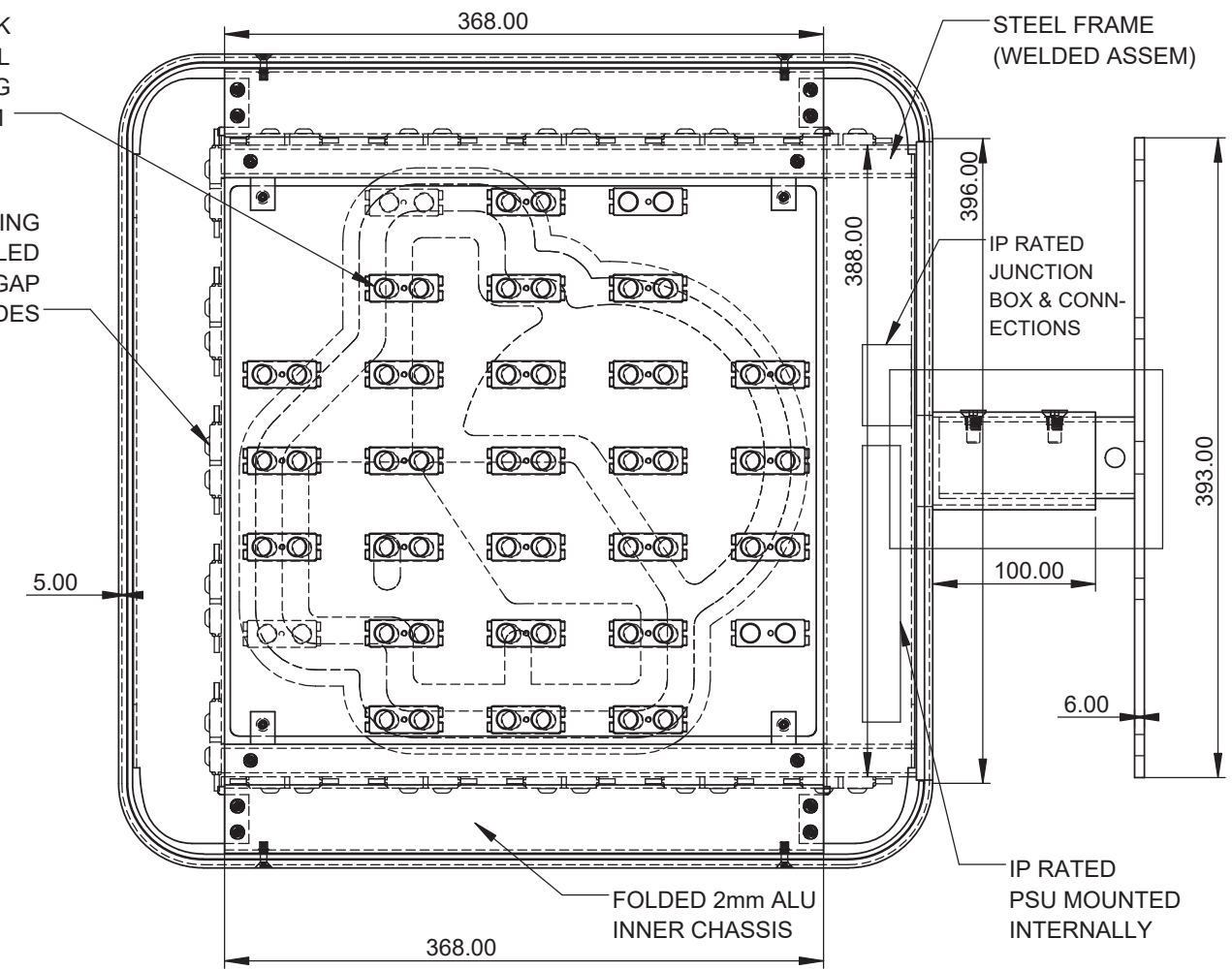


WHITE CHIPLITE CLX0 (6000K) LEDS ILLUINATING LOGO FACES MOUNTED BACK TO BACK ON CLEAR ACRYLIC CARRIER PANEL RETAINED (OVERSIZE HOLES) TO PREVENT BOWING WHEN WARM

RED CHIPLITE (CLX0 RED) LEDS ILLUMINATING EXTERNAL RED BAND INSTALLED TO INNER CHASSIS GAP TO THREE SIDES



ACRYLIC LOGOS / INTERFACES MACHINED WITH SUITABLE EXPANSION TOLERANCE ALLOWANCES

NB- UPDATED STANDARD VERSION TO FIT THROUGH FASCIA APERTURE

CLIENT: NATIONWIDE		Tandem Industrial Estate Huddersfield West Yorkshire HD5 0AL United Kingdom T. +44 (0) 1484 430003 F. +44 (0) 1484 430047 www.principleglobal.com	DO NOT SCALE THIS DRAWING. DEBUR AND BREAK SHARP EDGES. ALL DIMENSIONS ARE IN MILLIMETERS. BSI ACCREDITATION: ENVIRONMENTAL MANAGEMENT CERTIFICATE NO. FS542208 QUALITY MANAGEMENT CERTIFICATE NO. FS93787
DRAWING TITLE: Standard 500mm Illum Projecting Sign THRU FASCIA FIXED VERSION - GENERAL ARRANGEMENT			
DRAWING No: NBS_02_02_L		TOLERANCES: General plus or minus 0.25mm unless specified. Hole centres plus or minus 0.15mm.	
FINISH: See drawing notes		COPYRIGHT © 2016 - The details shown on this drawing are confidential and are the exclusive property of Principle Group of Companies. No use, copy or its closure of this drawing may be made without written permission and it is to be returned to Principle Group of Companies upon request.	
DRAWN BY: BG		No company or person(s) are to manufacture from the drawings without carrying out full due diligence audit of them including (but not limited to) engineering, quality and compliance with applicable national and international standards and health and safety regulations, before using this information for the purposes of manufacture, or conveyance to others for the purposes of manufacture. No liability is accepted in any form for the use of these drawings by others.	
DATE: 05.06.2019	WEIGHT: 20.3KG	ISSUE:	REVISION: - SCALE: SHEET 2 OF 2