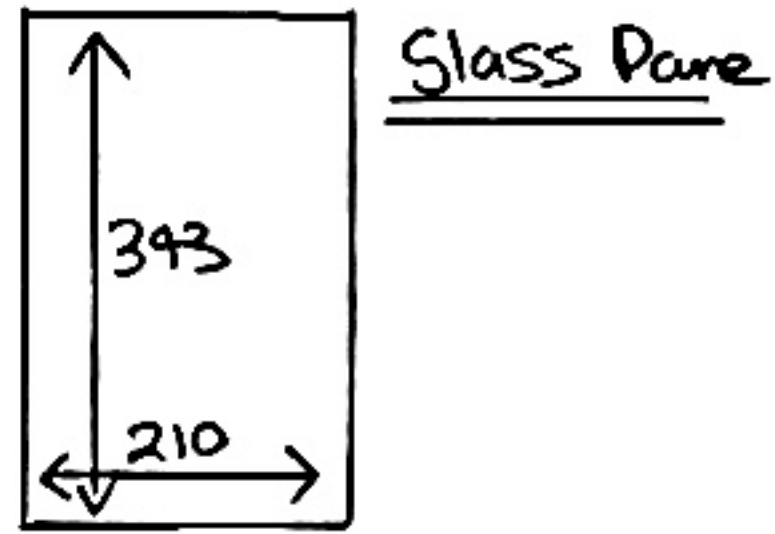


62 Bassett Green Road - Proposed Bedroom (x2) & Bathroom Windows

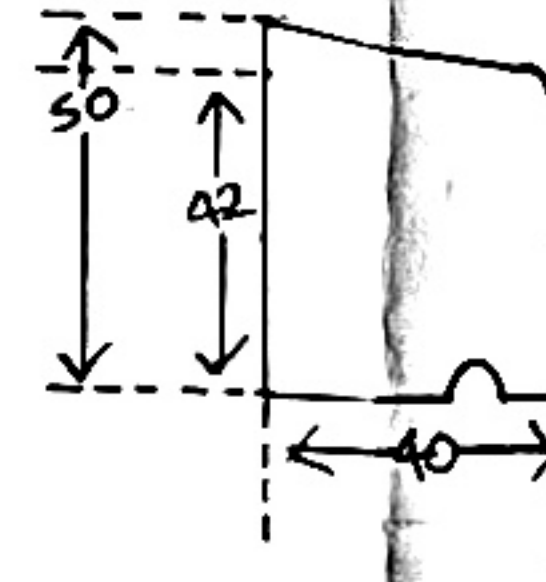
Bathroom

Dimensions in mm

- A=1129 H=40 P=10
- B=1269 I=10
- C=70 J=40
- D=50 K=60
- E=40 L=40
- F=140 M=60
- G=60 N=1200

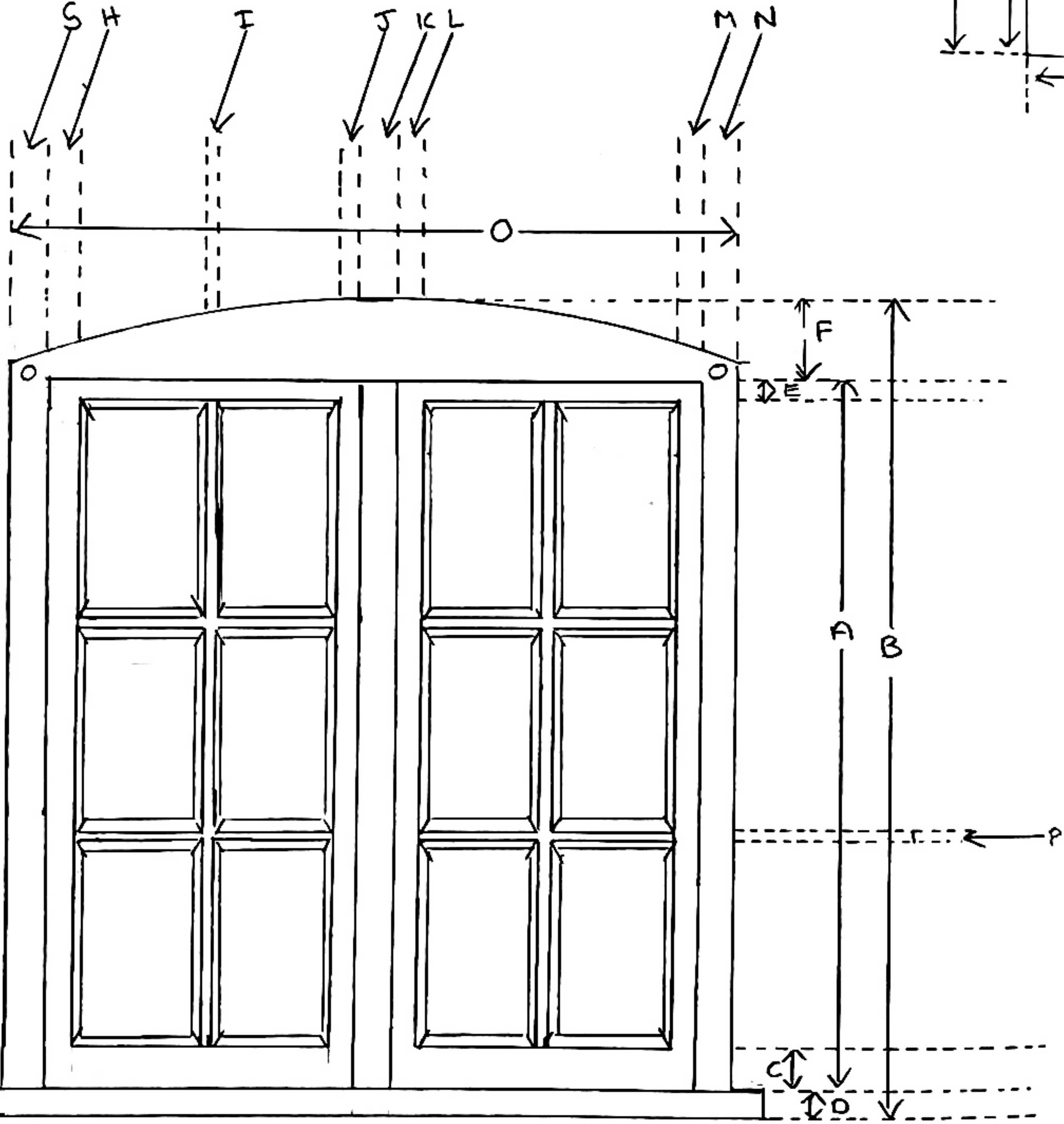


Window Sill (External) x 3



NB

- Bathroom window to have frosted glass.

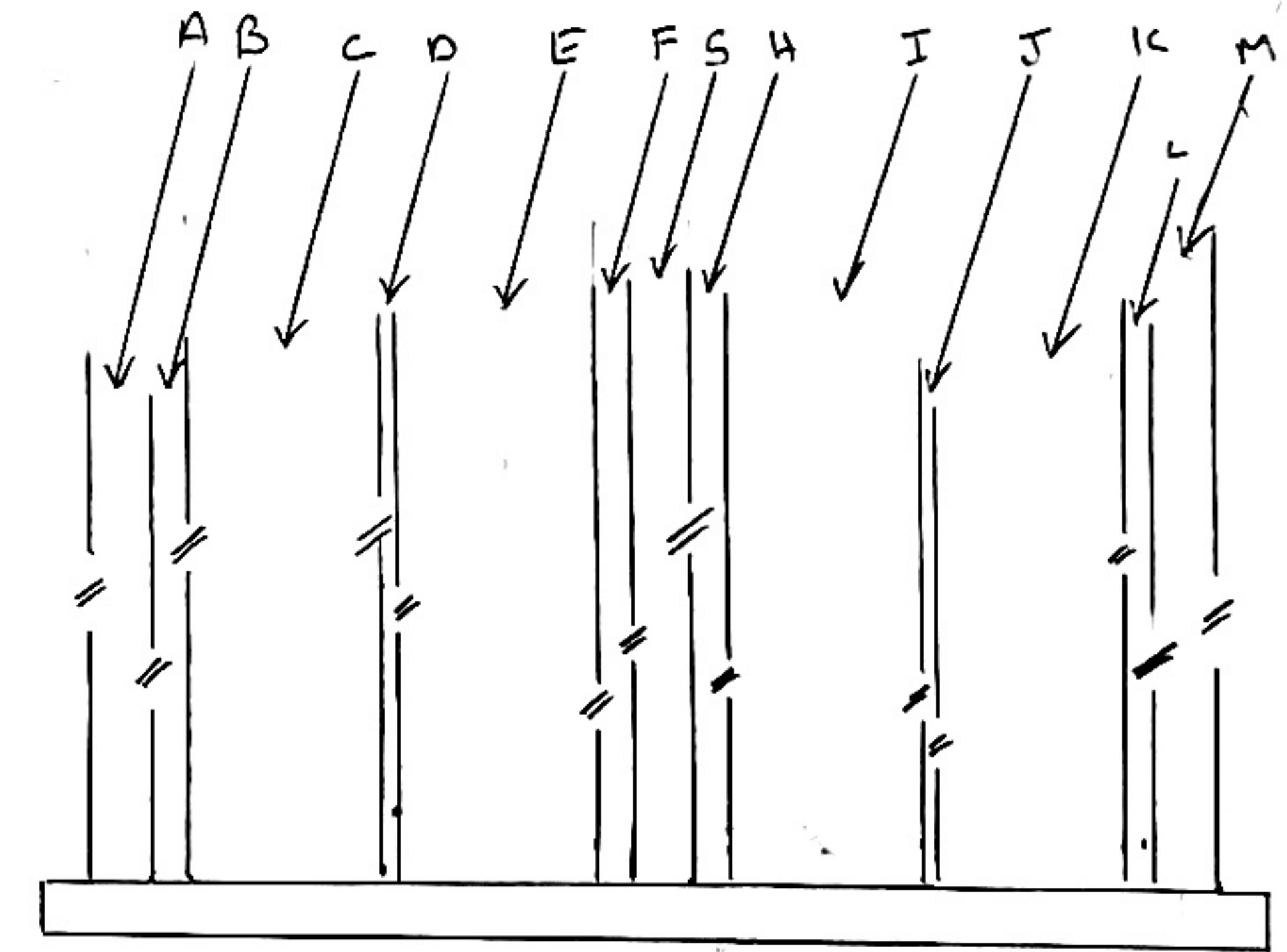
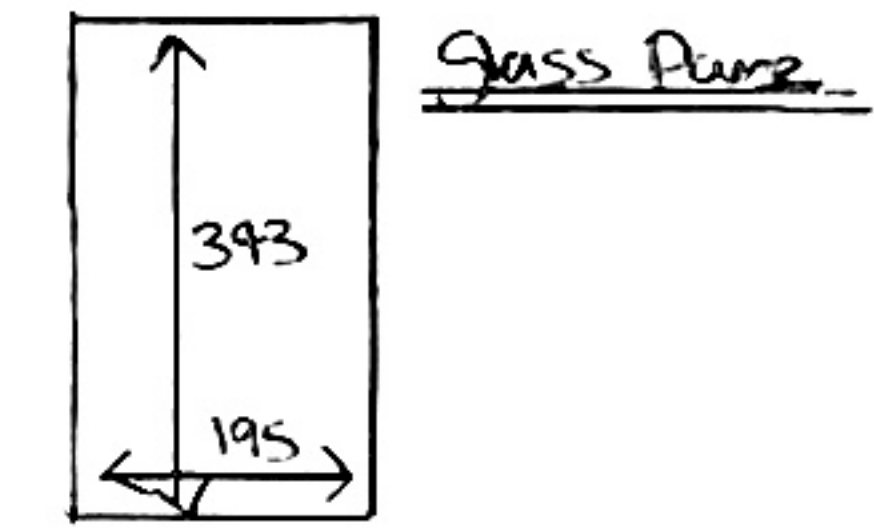


Bedroom x 2.

Dimensions in mm

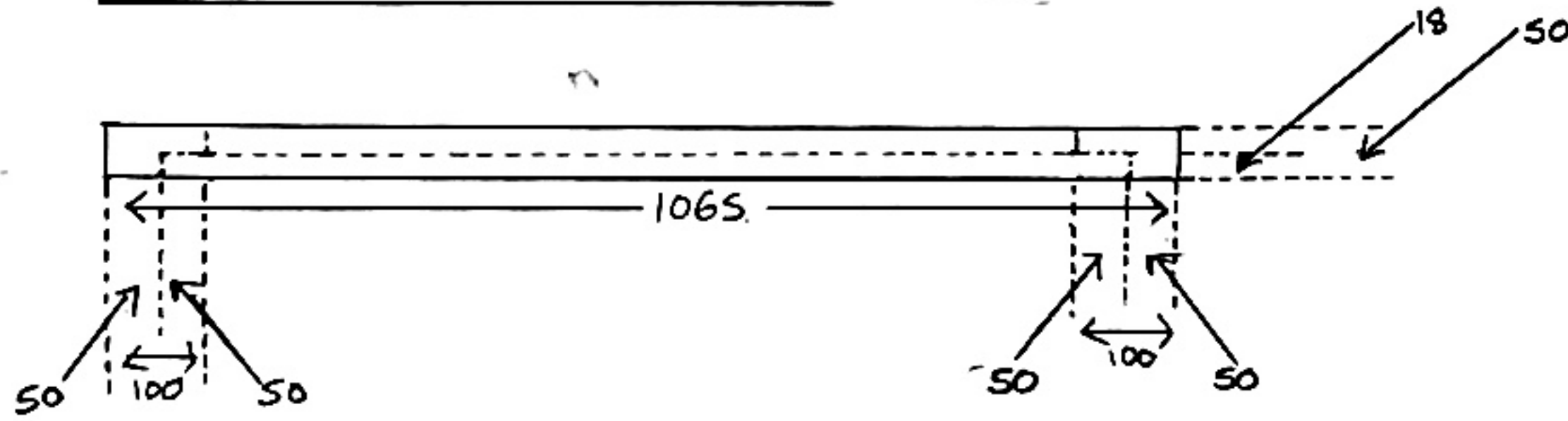
- A=55
- B=38
- C=195
- D=10
- E=195
- F=38
- G=55
- H=38
- I=195
- J=10
- K=195
- L=38
- M=55

N.B: All height dimensions are the same as the bathroom.

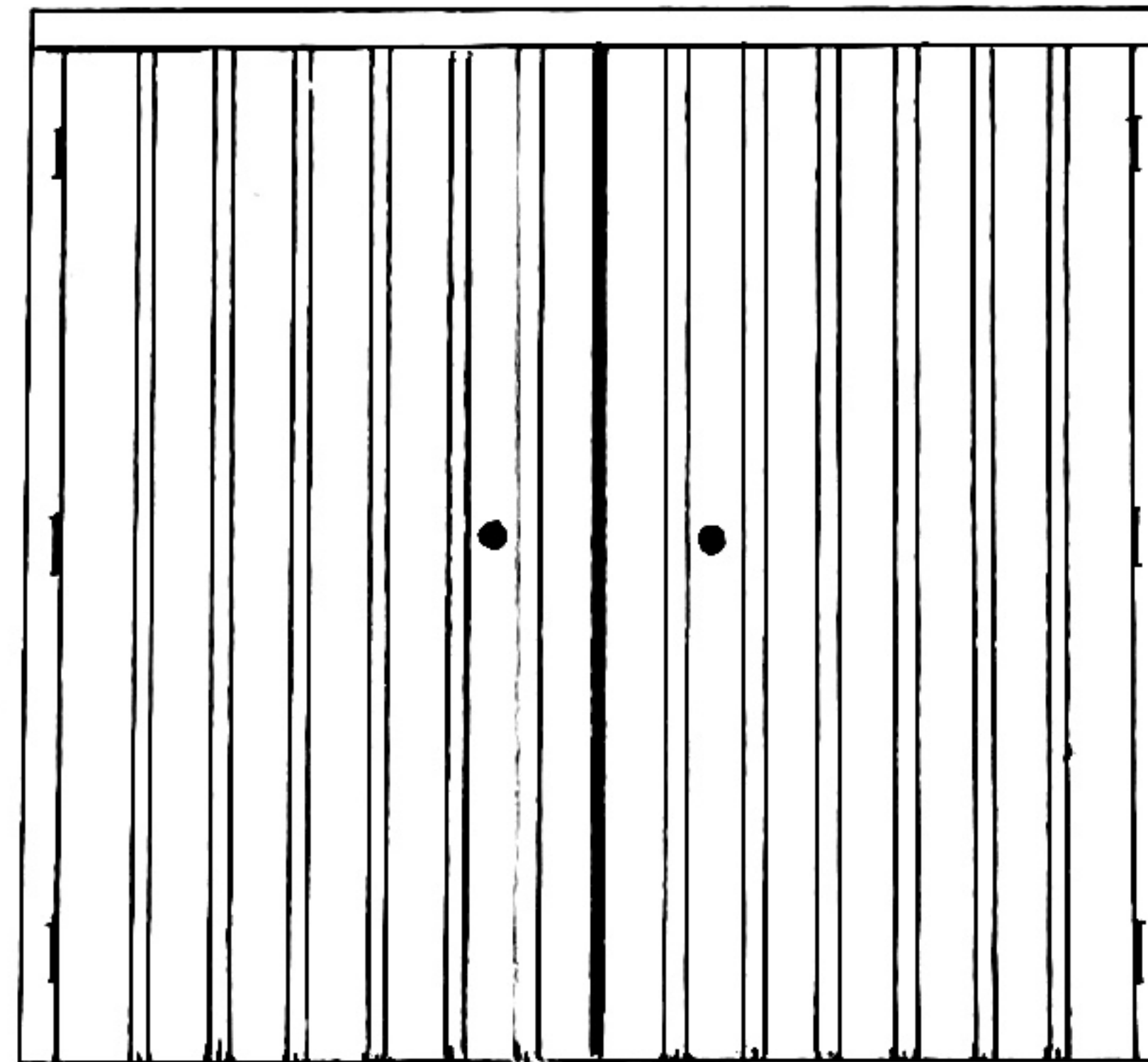
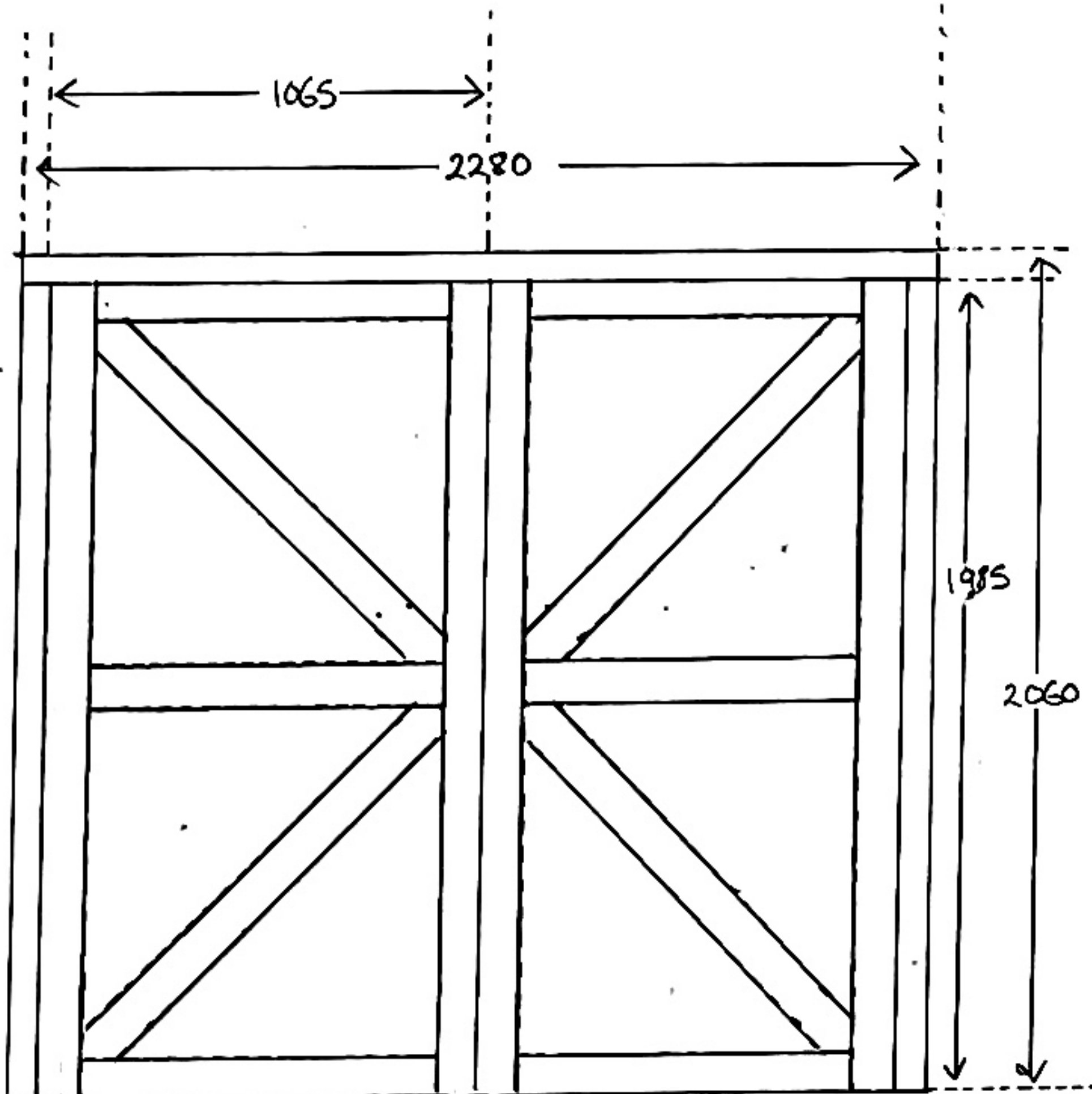
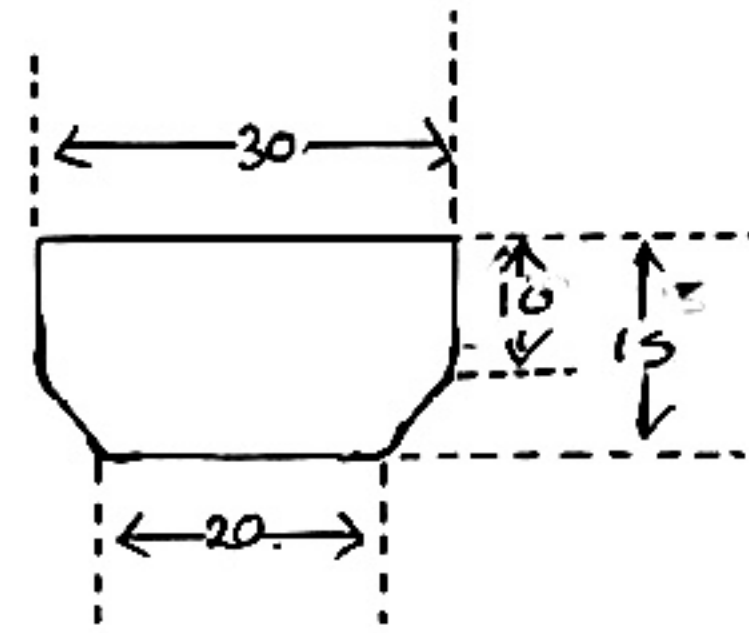


62 Bassett Green Road - Proposed Garage Door

Single door rebate detail



Exterior Vertical strips x12



Internal

External

Door Frame

- Constructed in 75x100 Accoya.
- Mortic & tenon joints

Doors

- Constructed in:
  - 18mm marine ply.
  - 50x100 Accoya
- Ply rebated into frame
- Frame constructed with mortic & tenon joints
- Vertical strips on exterior face 30x15 Accoya

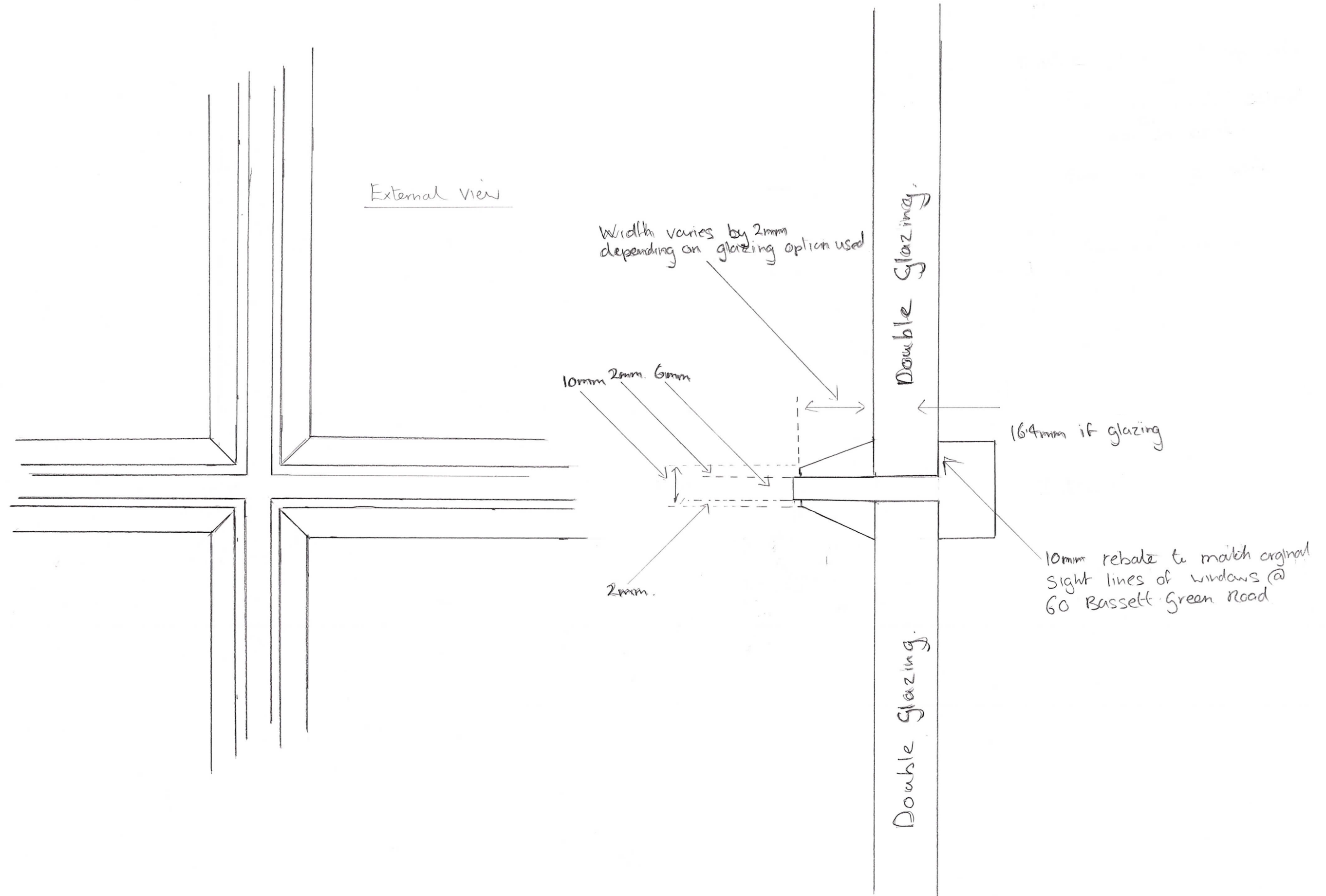
Hardware - Coastal Group

- Hinge - HG4 BLU 316 Stainless Steel Bolt-hinge - Square corner with dog bolt
- Lock - ML245 Multipoint Double door lock, with shootbolts top & bottom

Finish

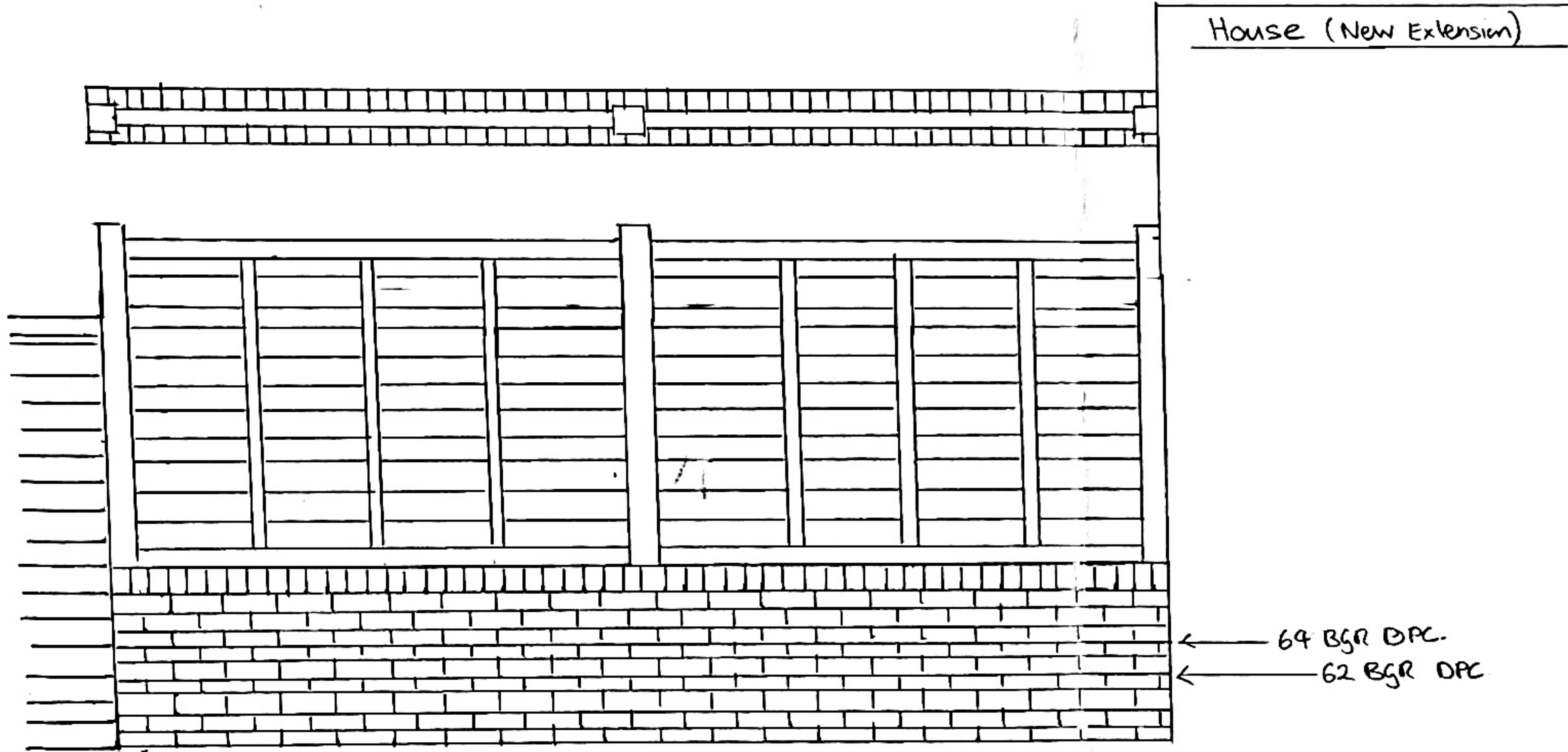
- High gloss black.

Proposed glazing bar & bead detail.





62 Bassett Green Road - Proposed rear patio retaining wall



- Notes
- Double skin wall
  - Solder course on top inline with same on main house wall
  - Concrete fence posts set into foundation
  - Fence low zinc 1200x1830.

62 Bassett Green Road - Proposed new Windows & Doors

NB - Door is a direct copy of an original Herbert Collins back door.  
 - Windows are based on dimensions of original Herbert Collins door.  
 - WLC Window to have frosted glass.

Notes

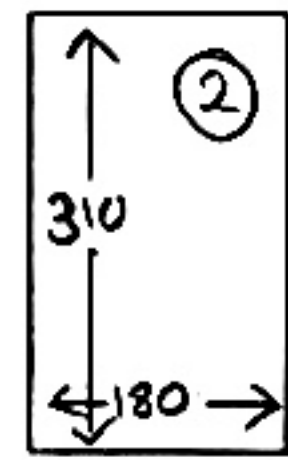
- ① Glazing bars are the same size on door & window
- ② Glass panes are the same size in both windows & door.

New WLC Window

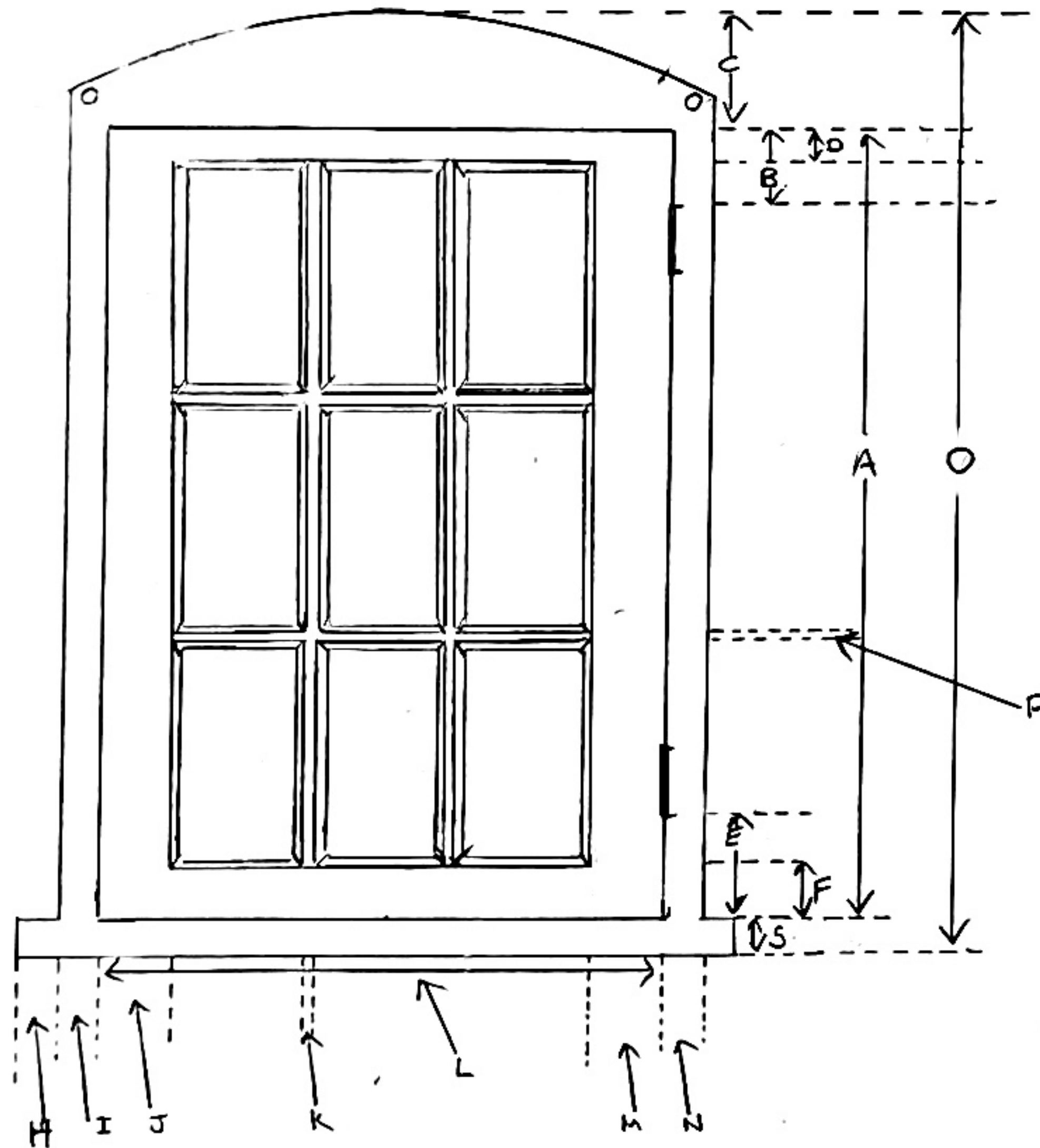
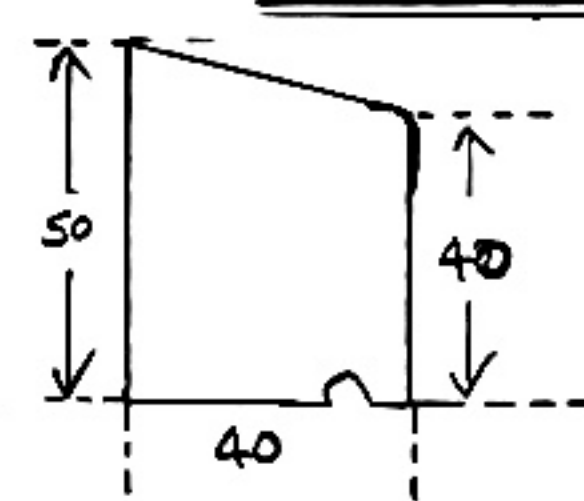
Dimensions in mm

- A = 1065
- B = 100
- C = 160
- D = 40
- E = 135
- F = 70
- S = 50
- H = 50
- I = 65
- J = 95
- K = 12
- L = 75
- M = 95
- N = 65
- O = 1275
- P = 12

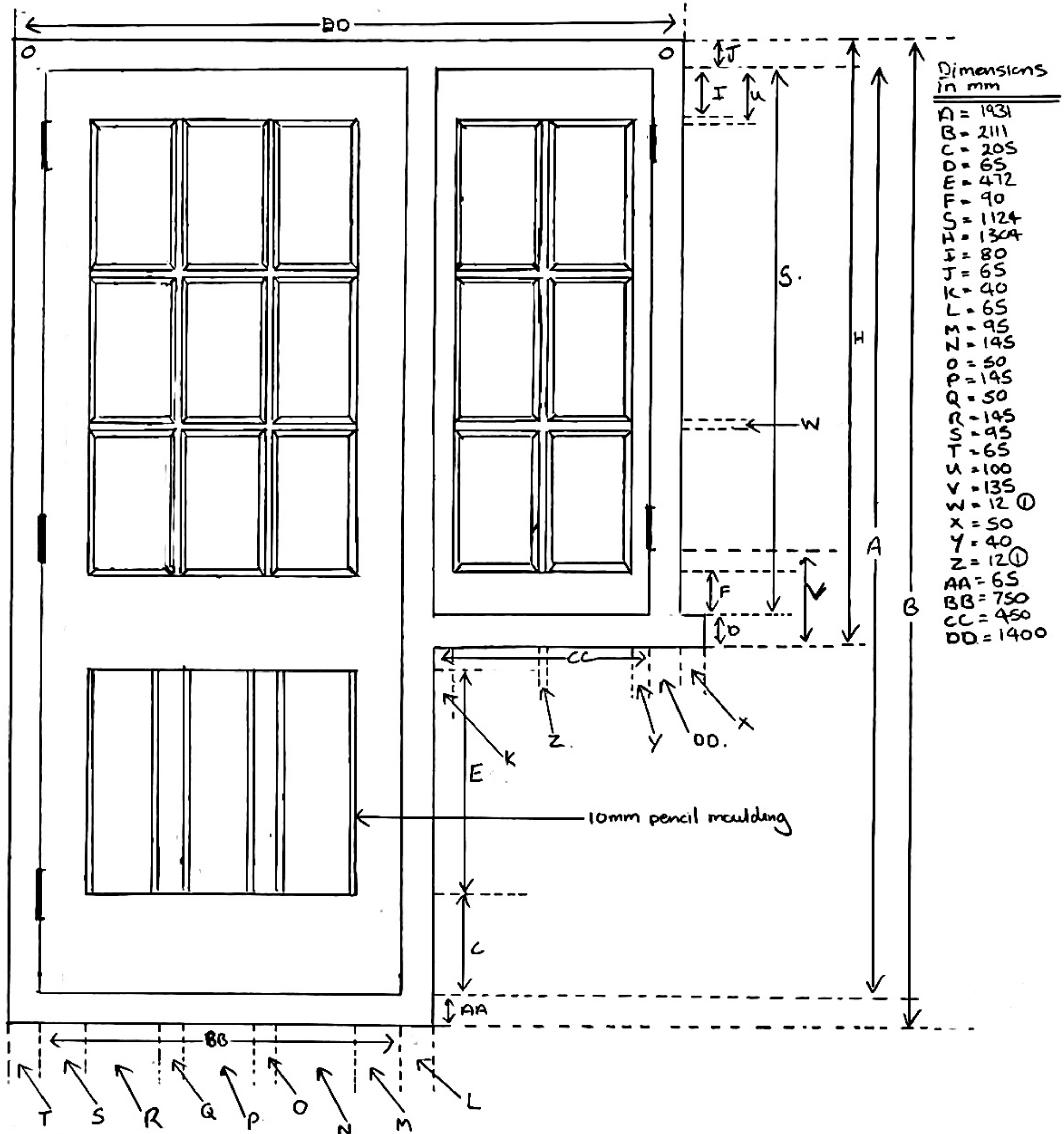
Glass pane



Window & door sill

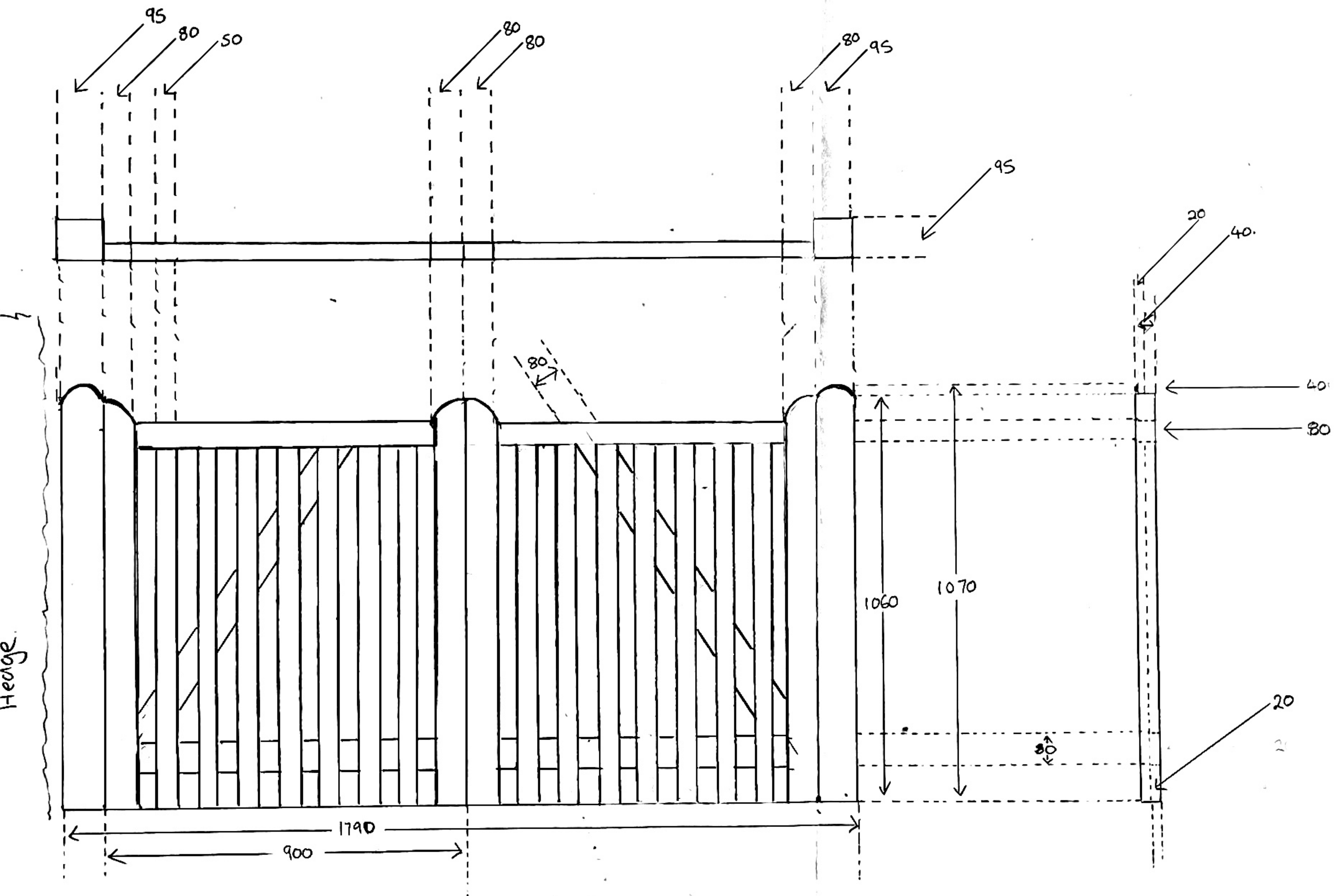


New Utility room window & door.



- Dimensions in mm
- A = 1931
  - B = 2111
  - C = 205
  - D = 65
  - E = 472
  - F = 90
  - S = 1124
  - H = 1304
  - J = 65
  - K = 40
  - L = 65
  - M = 95
  - N = 146
  - O = 50
  - P = 145
  - Q = 50
  - R = 145
  - S = 95
  - T = 65
  - U = 100
  - V = 135
  - W = 12
  - X = 50
  - Y = 40
  - Z = 12
  - AA = 65
  - BB = 750
  - CC = 450
  - DD = 1400

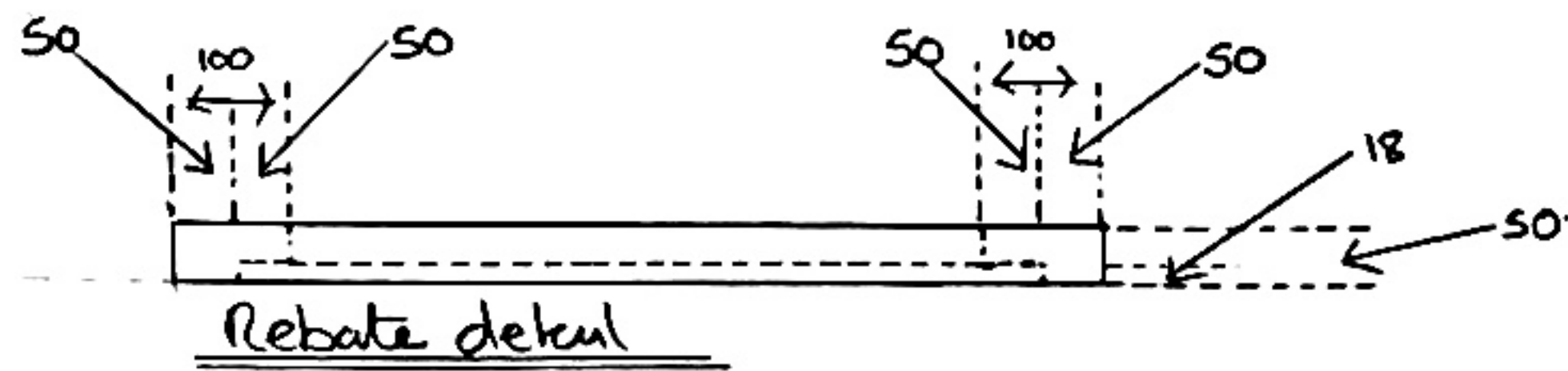
Proposed Wicket/Field gate in Oak. -



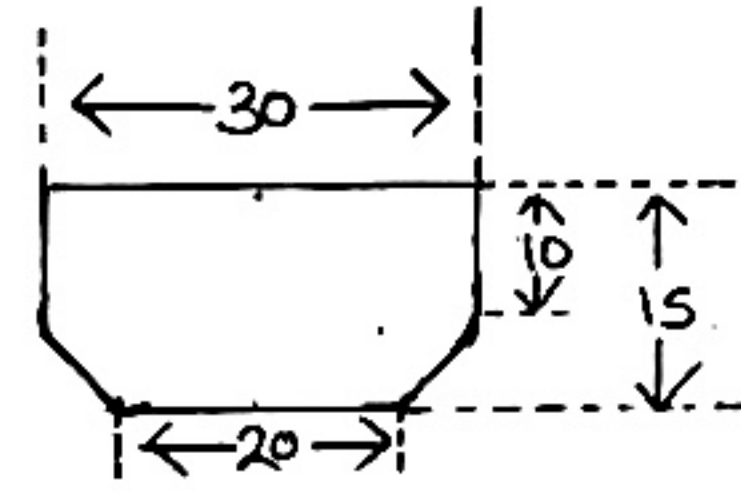
- Viewed from front looking at garage
- gates to open towards the road.
- Ironmongery
  - Heavy duty reversible gate hinge
  - Ring gate latch - 150mm
  - Throw - Black
  - Heavy duty garage door bolt
- Finished in Osmo - UV protection oil extra.



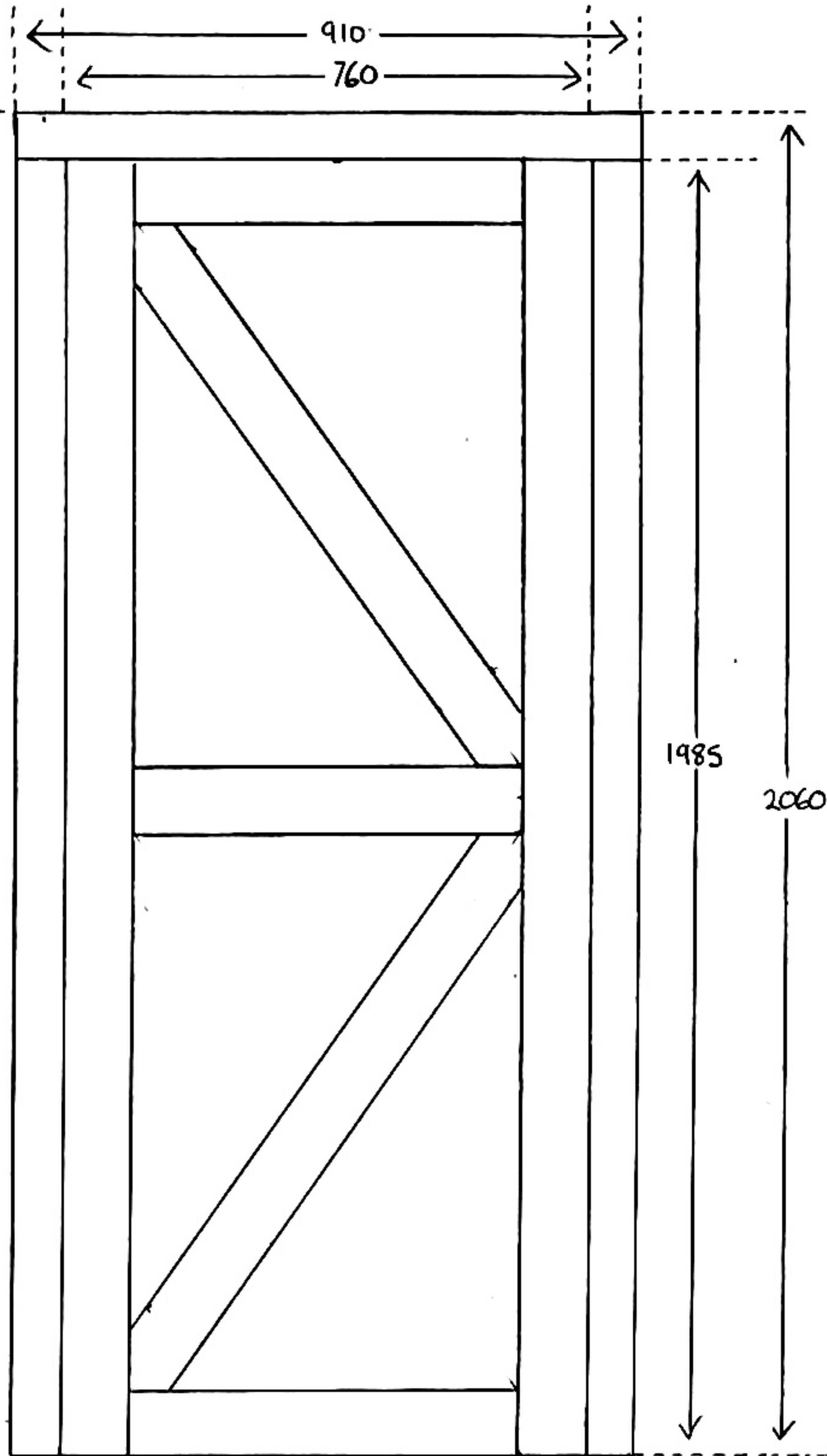
62 Bassett Green Road - Proposed Side Gate:



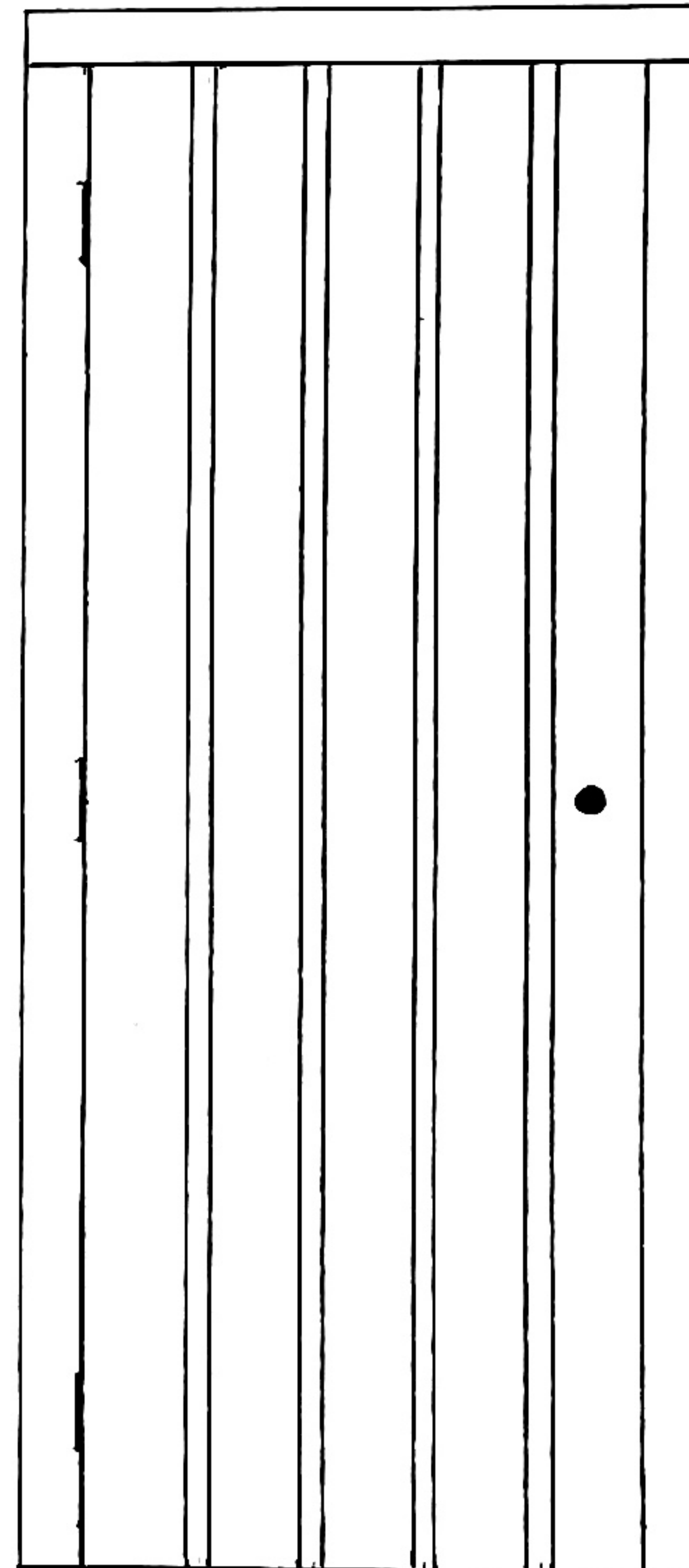
Rebate detail



Exterior Vertical Strips x 4



Internal



External

Gate frame

- Constructed in 75x100 Accoya
- Mortice & tenon joints

Gate

- Constructed in:
  - 18mm Marine Ply
  - 50x100 Accoya
- Ply rebated into frame
- Frame constructed with mortice & tenon joints
- Vertical Strips on exterior face 30x15 Accoya

Hardware - Coastal Group

- Hinge HQ4-131u 316 Stainless Steel Bolt-hinge square corners with dog bolt
- Lock - TBC

Finish.

- High gloss black.