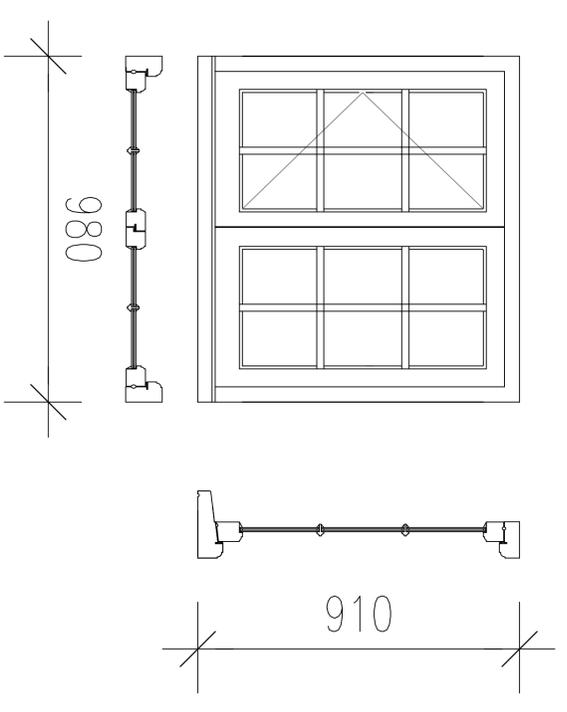
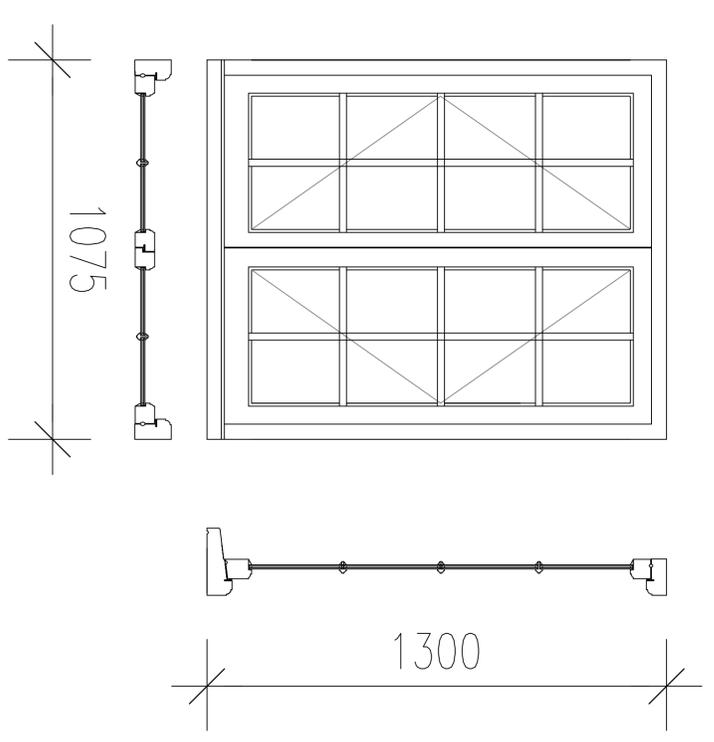


G.W.1



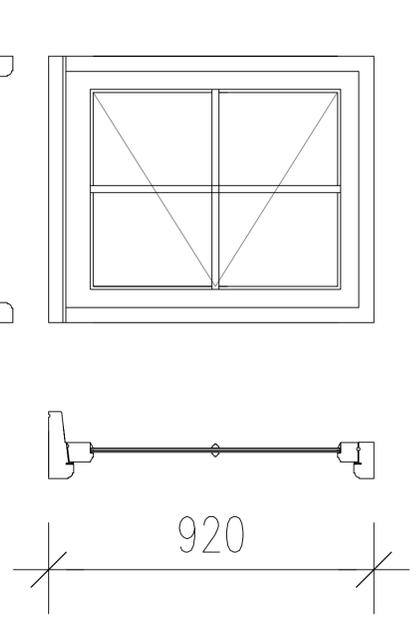
G.W.2



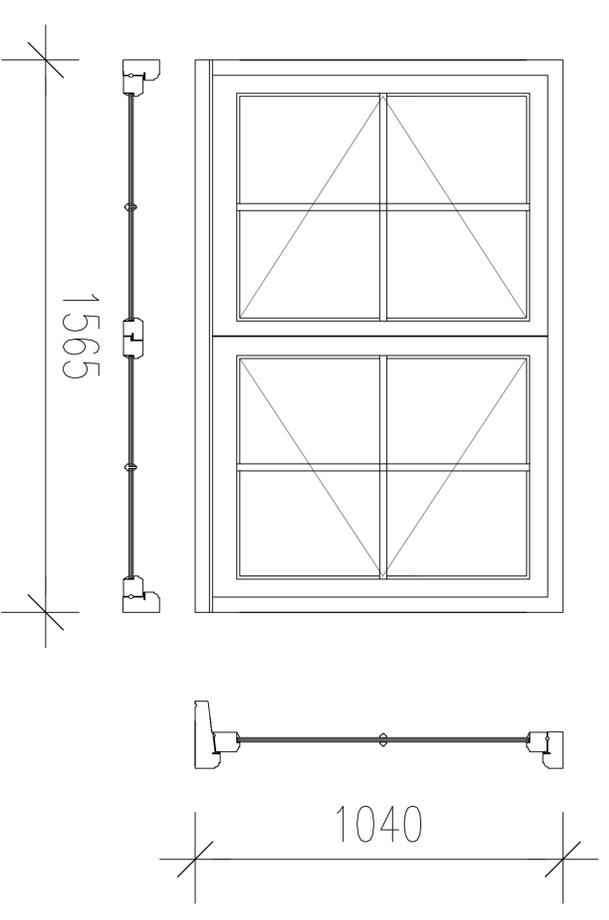
SAPELE HARDWOOD
 WHITE PRIMED

2 EXISTING SASH WINDOWS ARE
 TO BE REFURBISHED

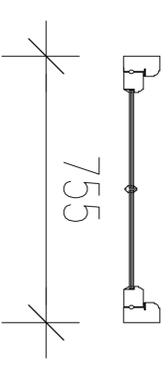
F.W.3



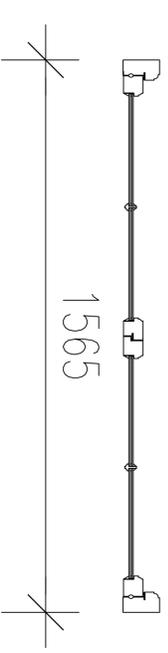
F.W.4



755



1565



REV	DATE	DESCRIPTION	INITIAL

Challow Design
 2 ELSWORTH CLOSE
 GROVE
 WANTAGE
 OXON
 OX12 0BT
 Tel/Fax No: 01235 771781
 ed@challowdesign.co.uk

CLIENT
 STONE MANOR CONSTRUCTION
SITE/PROJECT
 OLD BEAMS
 145 THE HILL
 BURFORD

WINDOW DETAILS
 REFERENCE 1636
 DATE NOV-2023
 DRAWN BY ED CLARE
 CHECKED BY A1
 PAPER SIZE/SCALE A1 1:10
 DRAWING No. 1636-01
 REVISION