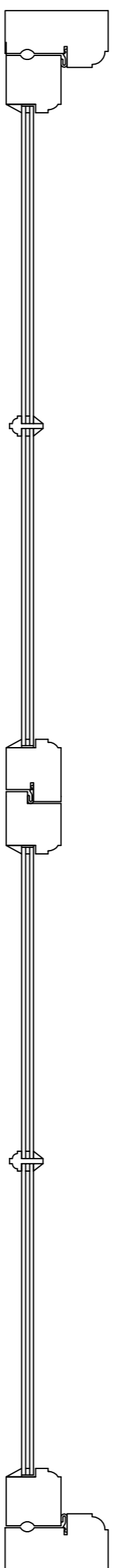
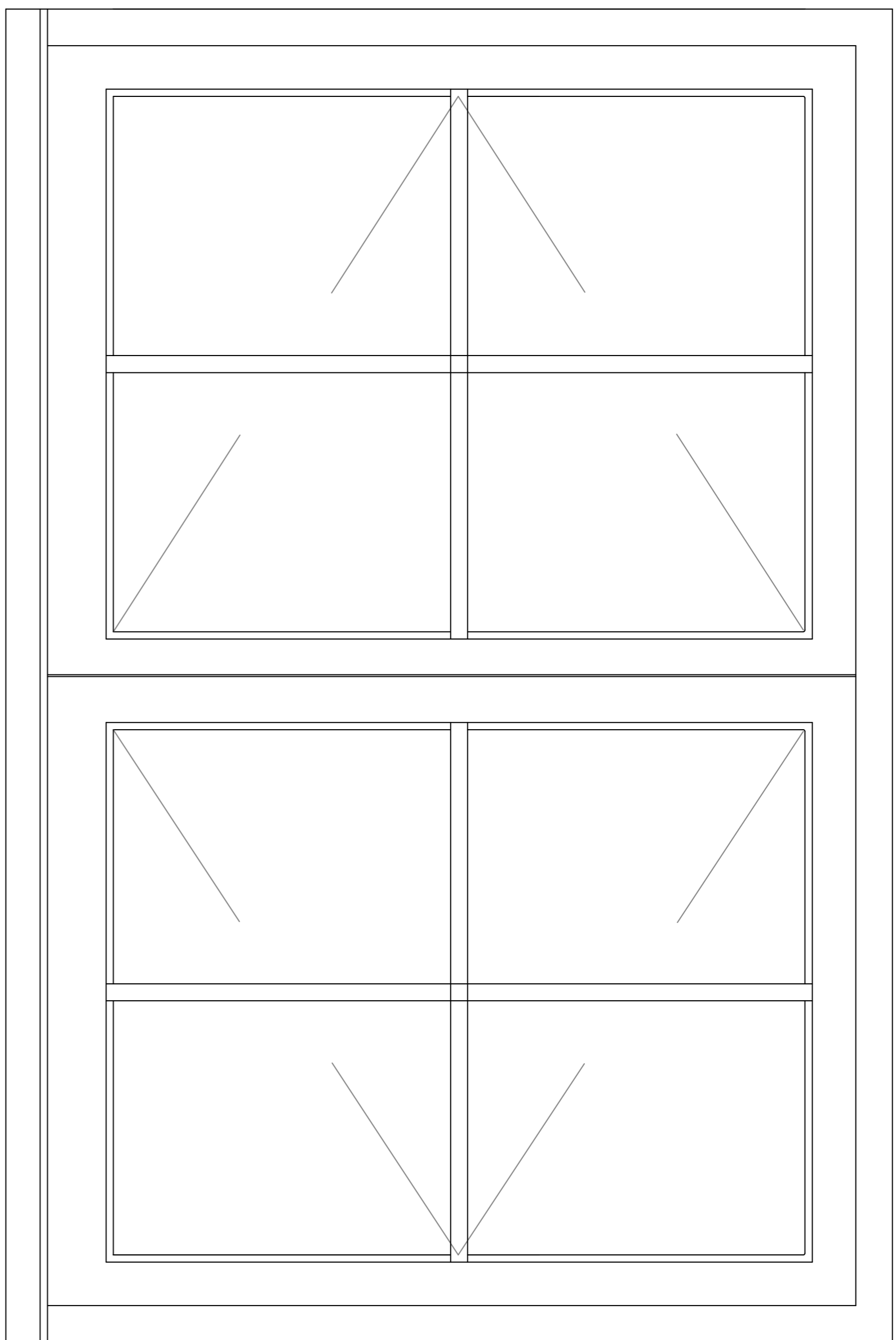
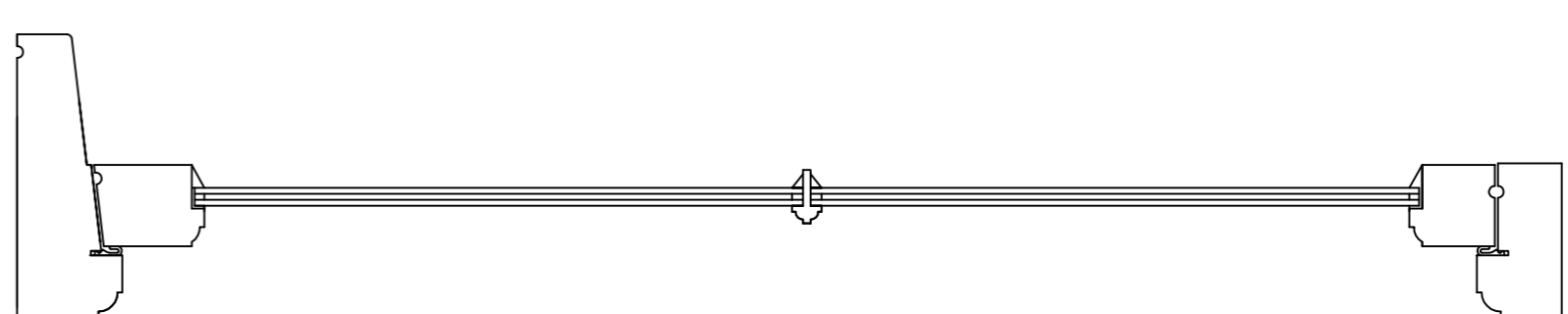


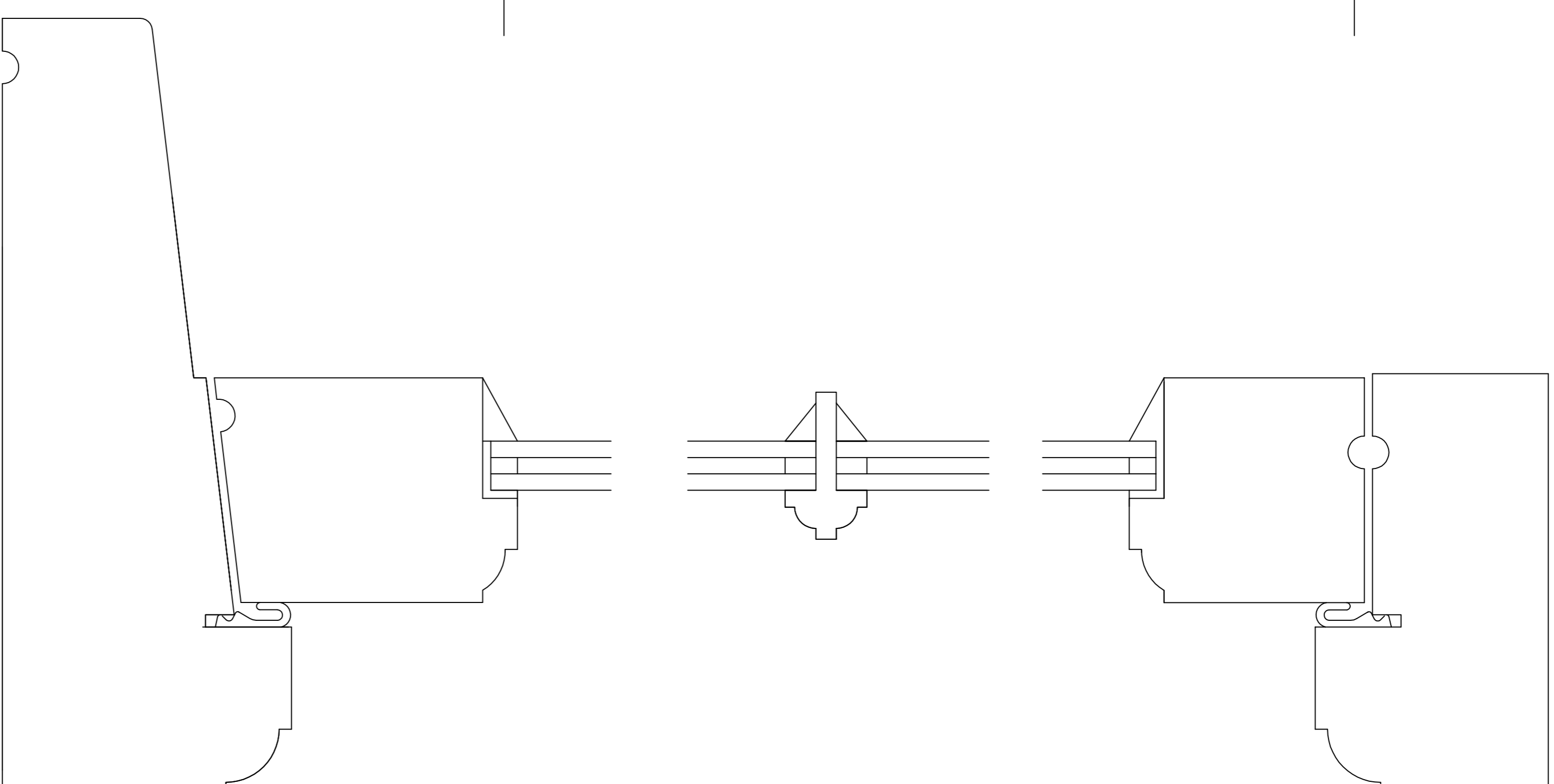
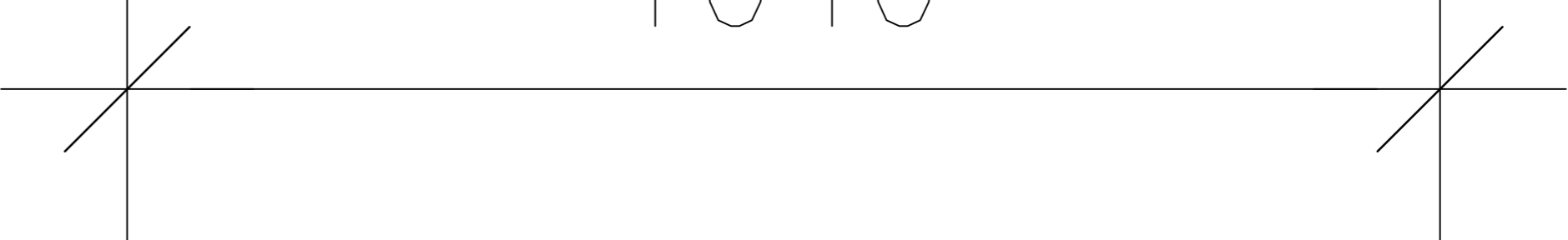
F.W.4



1565



1040



SAPELE HARDWOOD  
WHITE PRIMED

**Copyright**  
This drawing is copyright and may not be altered, reproduced or used other than for the Contract Works for which it is issued without the written permission of Challow Design.  
**Warning**  
Do not scale this drawing. Verify all dimensions and structural details on site. If in doubt, ask before acting.

REV	DATE	DESCRIPTION	INITIAL

### Challow Design

2 ELSWORTH CLOSE  
GROVE  
WANTAGE  
OXON  
OX12 0BT  
Tel/Fax No: 01235 771781  
ed@challowdesign.co.uk

#### CLIENT

STONE MANOR CONSTRUCTION  
SIT/PROJECT  
OLD BEAMS  
145 THE HILL  
BURFORD

#### WINDOW DETAILS

CLIENT REFERENCE 1636  
DATE NOV-2023  
DRAWN BY ED CLARE  
CHECKED BY  
PAPER SIZE/SCALE A1 1:5:1:1  
DRAWING No. 1636-05  
REVISION

