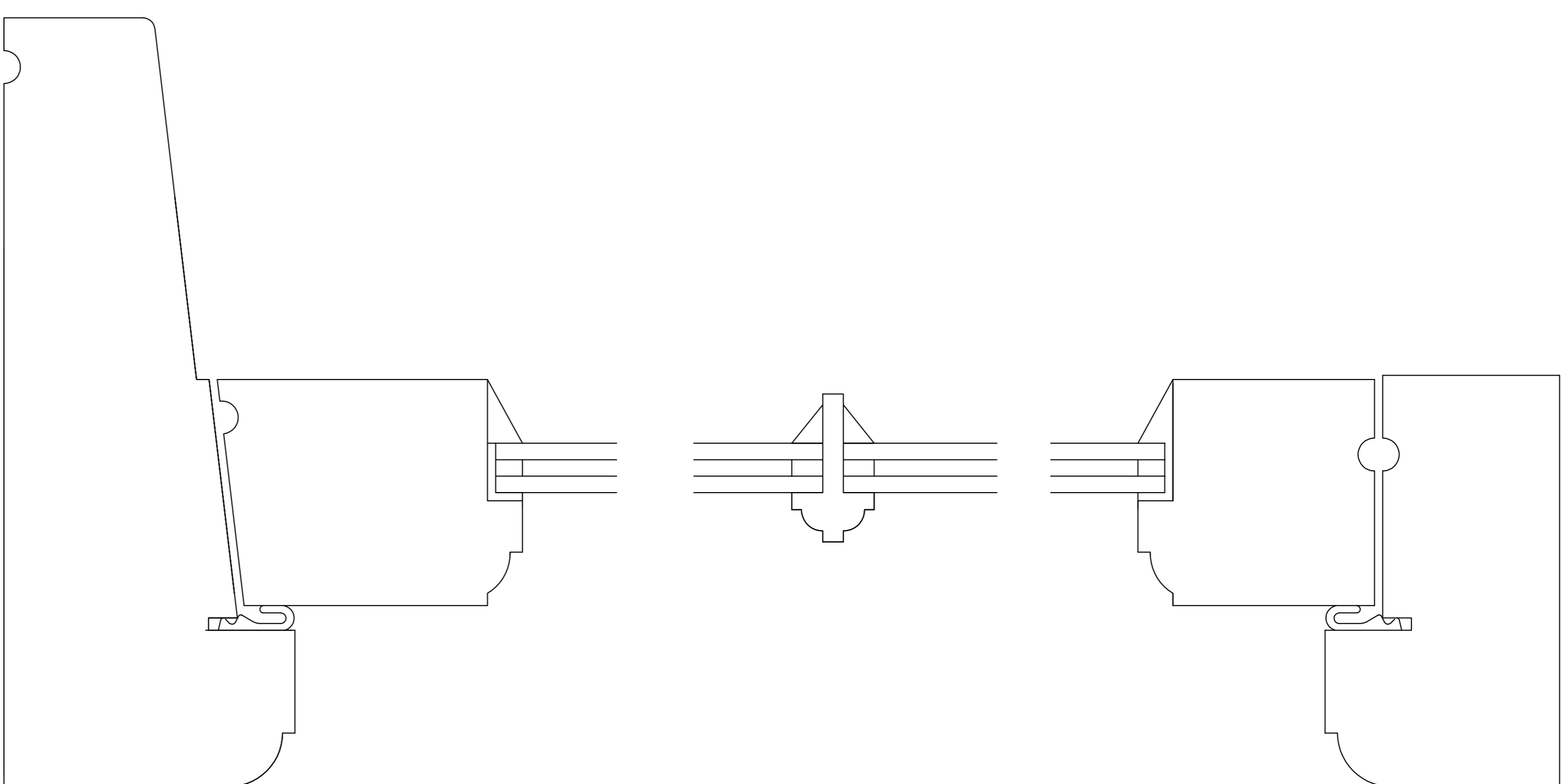
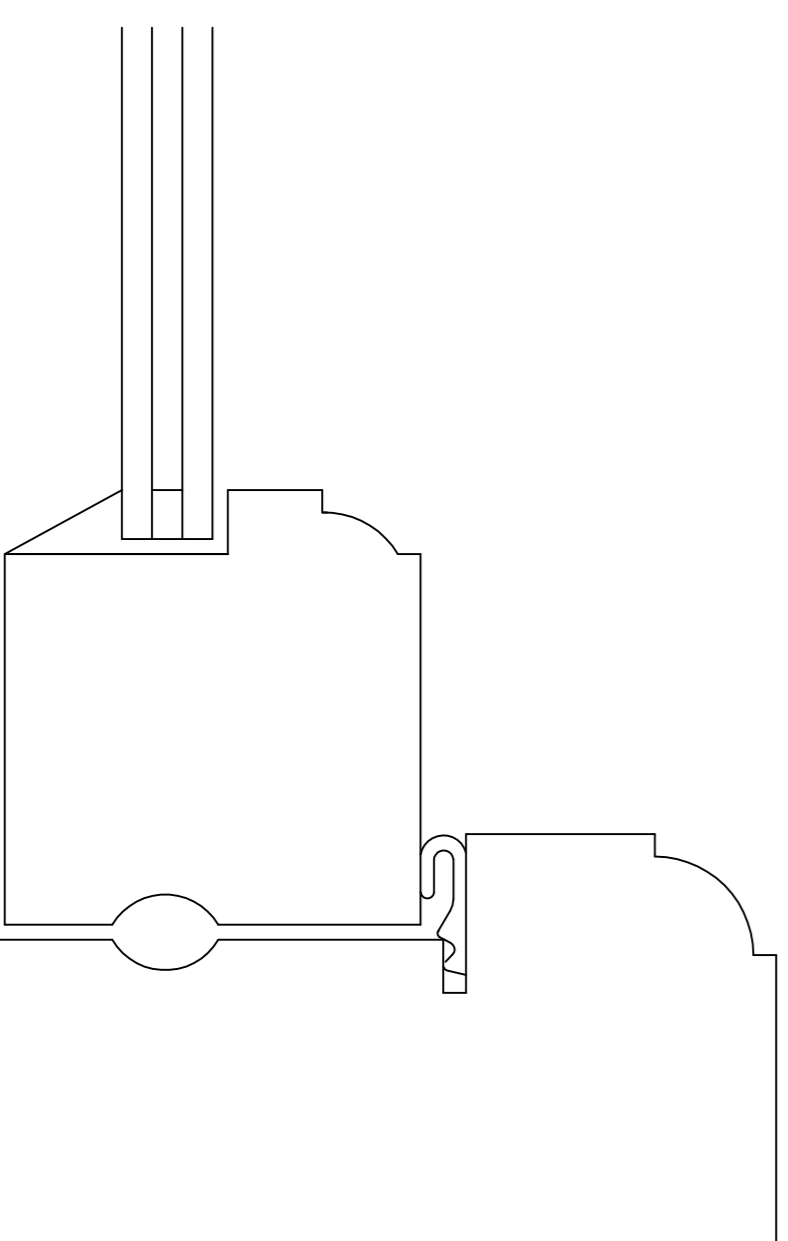
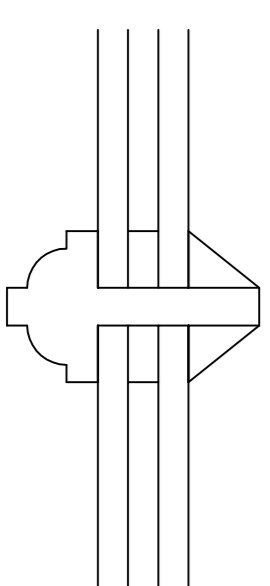
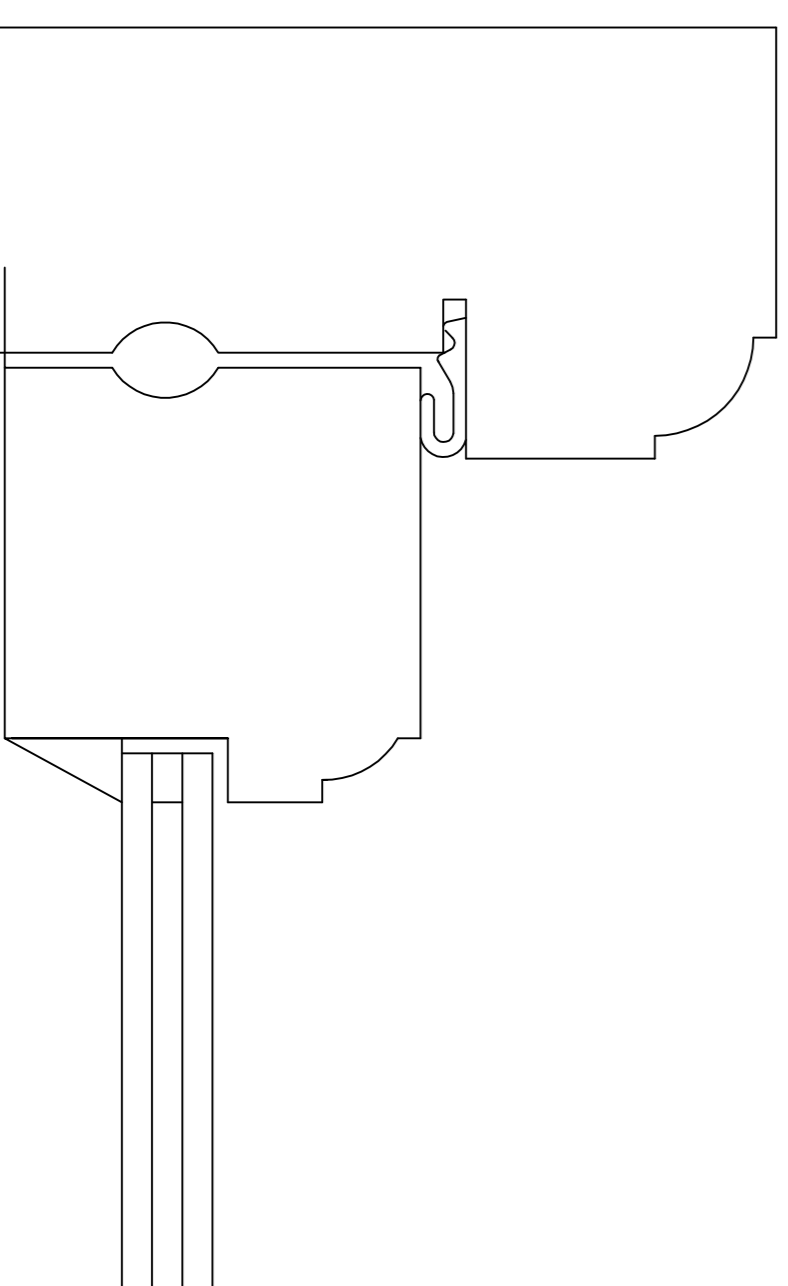
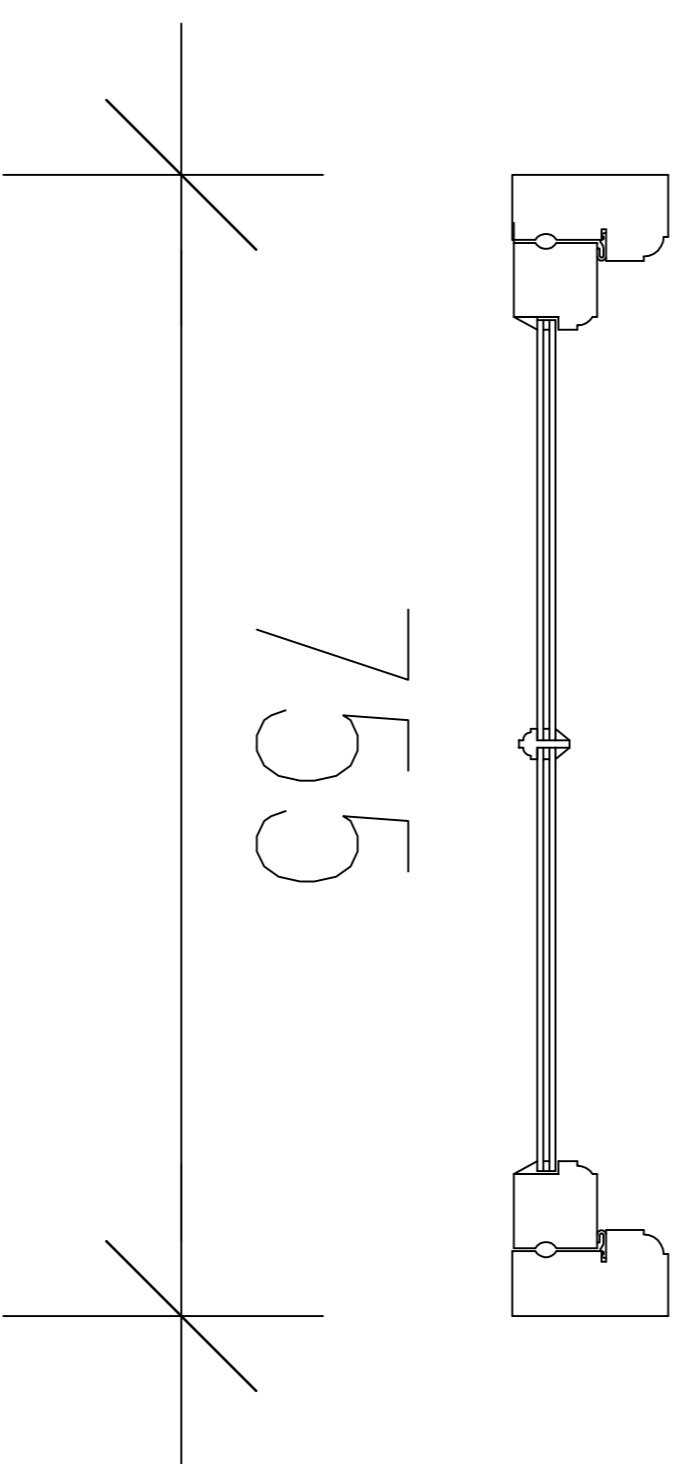
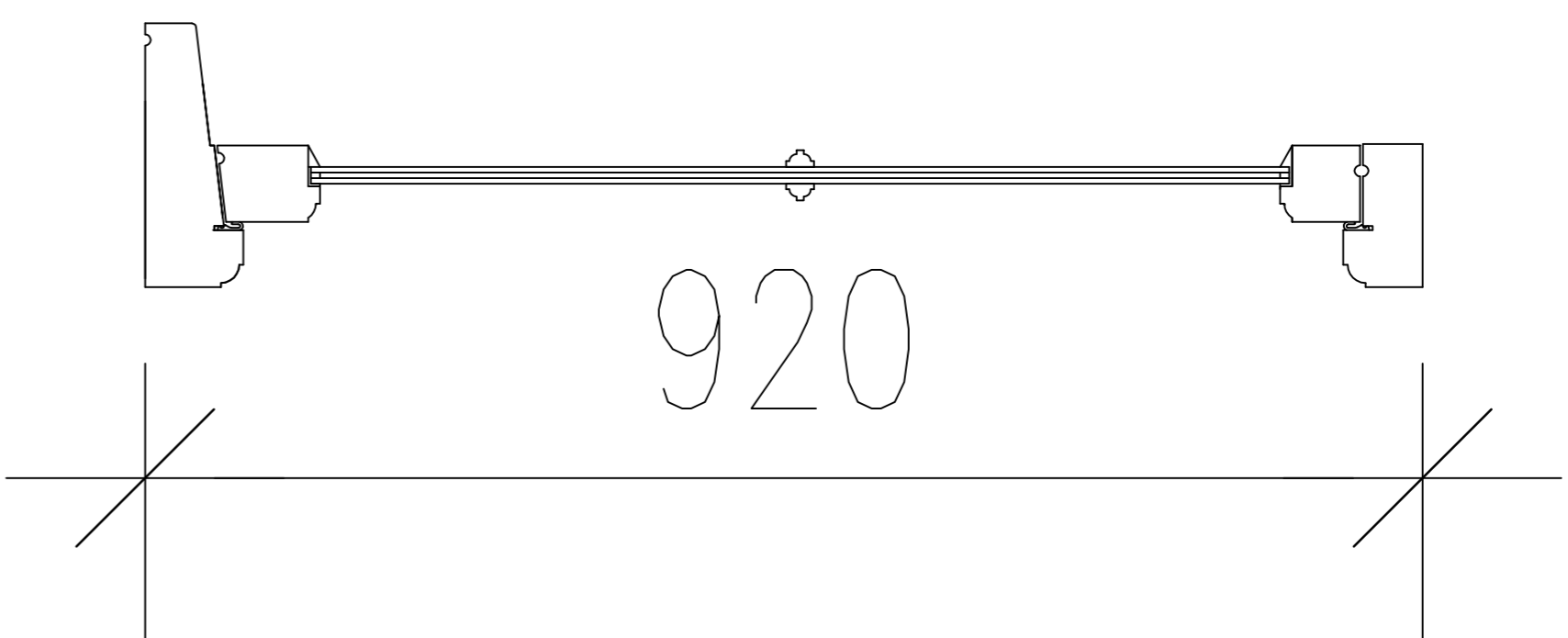
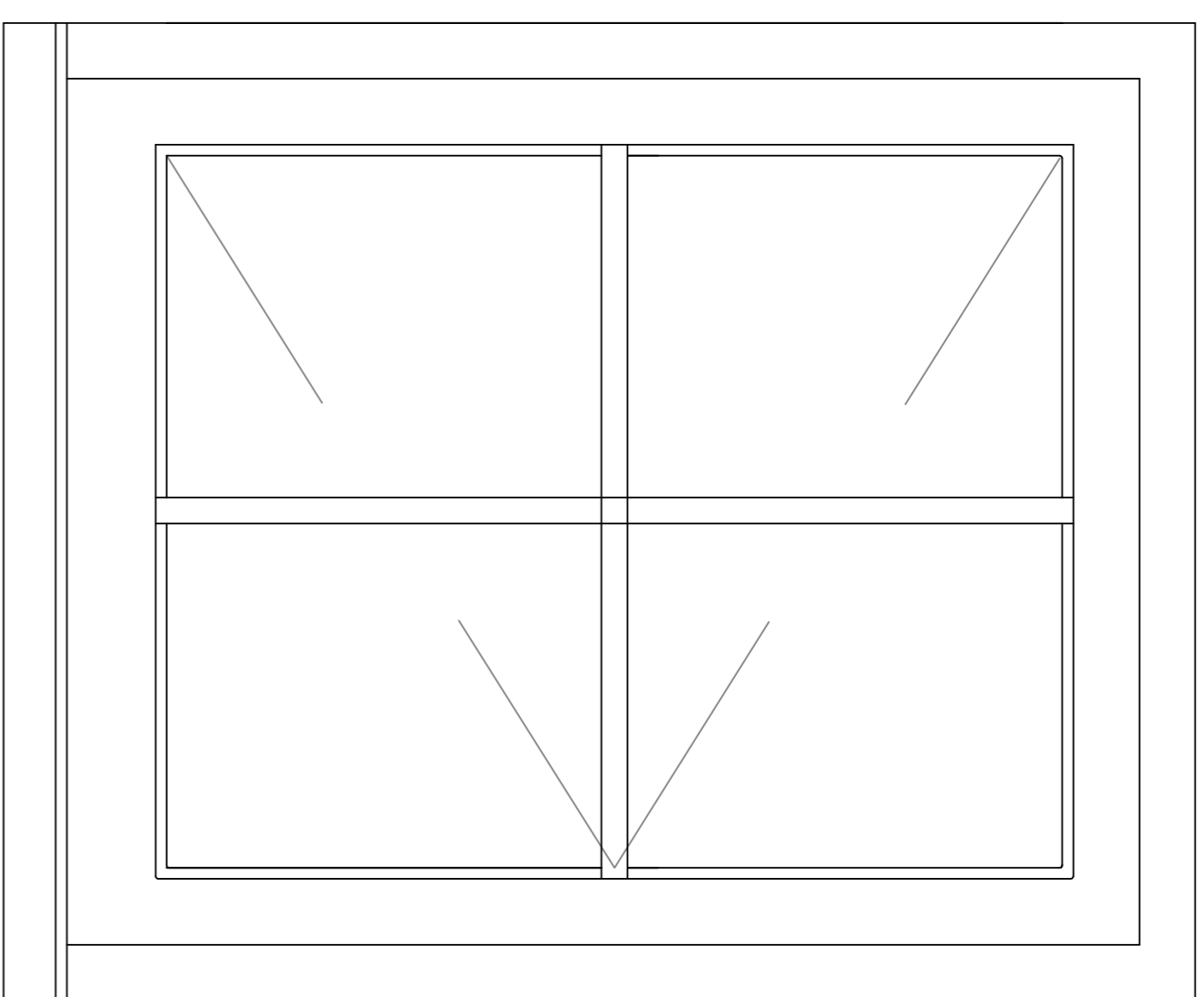


F.W.3



SAPELE HARDWOOD  
WHITE PRIMED

**Copyright**  
This drawing is copyright and may not be altered, reproduced or used other than for the Contract Works for which it is issued without the written permission of Challow Design.  
**Warning**  
Do not scale this drawing. Verify all dimensions and structural details on site. If in doubt, ask before acting.

REV	DATE	DESCRIPTION	INITIAL

**Challow Design**  
 2 ELSWORTH CLOSE  
 GROVE  
 WANTAGE  
 OXON  
 OX12 0BT  
 Tel/Fax No: 01235 771781  
 ed@challowdesign.co.uk

**CLIENT**  
 STONE MANOR CONSTRUCTION  
**SITE/PROJECT**  
 OLD BEAMS  
 145 THE HILL  
 BURFORD

**WINDOW DETAILS**  
 CLIENT REFERENCE 1636  
 DATE NOV-2023  
 DRAWN BY ED CLARE  
 CHECKED BY A1  
 PAPER SIZE/SCALE A1 1:5:1:1  
 DRAWING No. 1636-04  
 REVISION