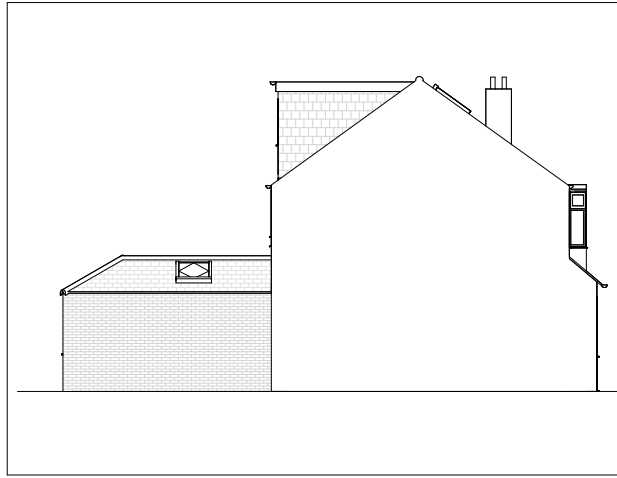




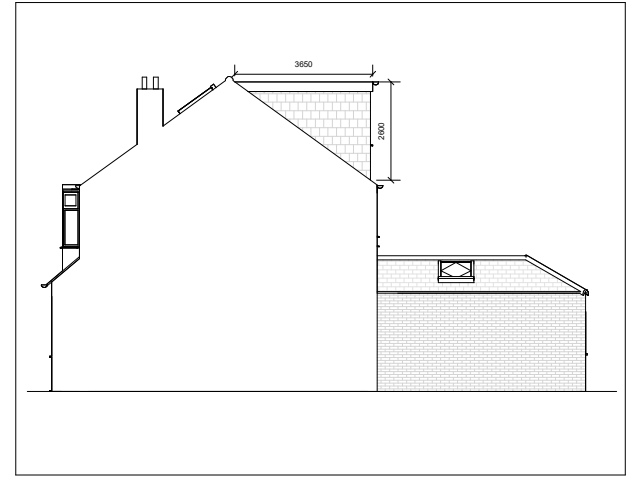
Proposed Elevation - Front



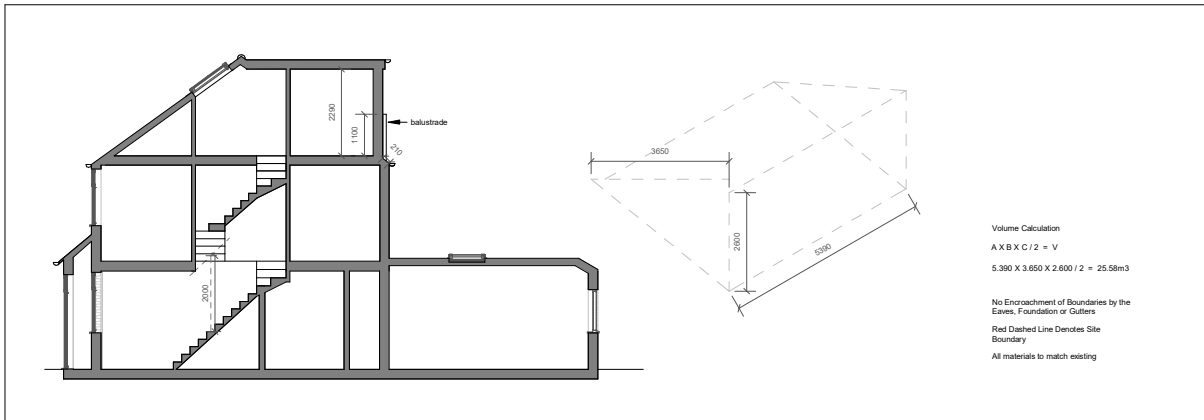
Proposed Elevation - Rear



Proposed Elevation - Side



Proposed Elevation - Side



Proposed Section AA

Volume Calculation  
 $A \times B \times C / 2 = V$   
 $5.390 \times 3.650 \times 2.800 / 2 = 25.58m^3$

No Encroachment of Boundaries by the Eaves, Foundation or Gutters  
 Red Dashed Line Denotes Site Boundary  
 Boundary  
 All materials to match existing