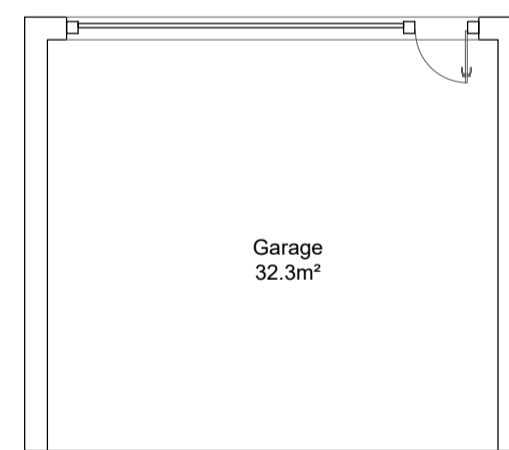
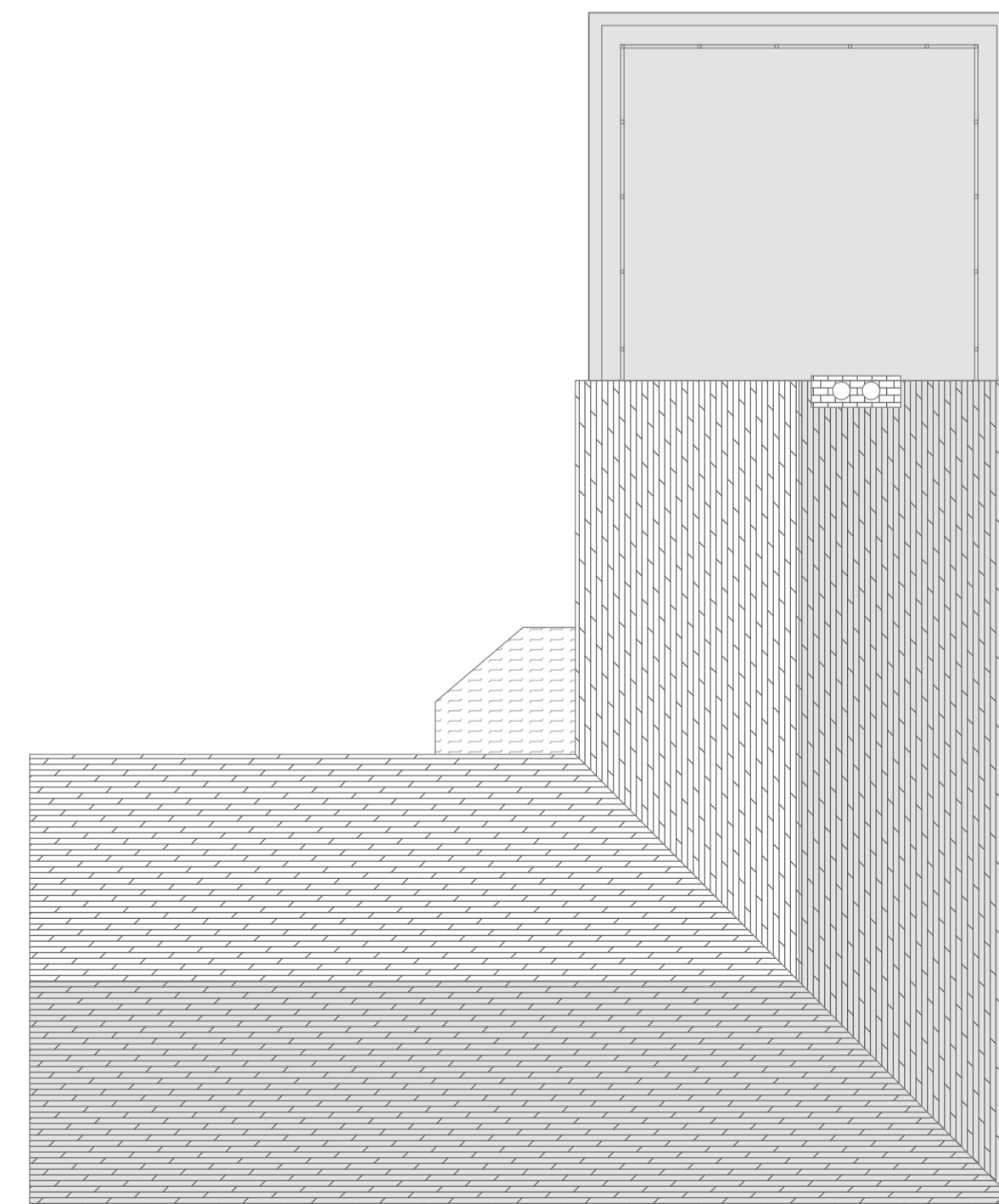


Ground Floor Plan Scale 1:50



Garage Plan Scale 1:100



Roof Plan Scale 1:100

Disclaimer

**PLANNING DRAWINGS**  
 All drawings are provided for planning purposes only. Drawings have been created from a non-intrusive survey and all dimensions must be checked on site before any work commences.  
 If in doubt please contact the main contractor if one has been appointed.  
 No responsibility can be taken with any errors if building from this drawing.  
 Main Contractor To Set Any Works Out Prior To Build To Ensure Buildability Before Commencing Works.  
 Any Required Party Wall Act Or Build Over Agreements Will Not Be Organized By Harbur Design And Will Need To Be Completed By The Client Or A 3rd Party.

**CDM Regulations**

Hazards	Date Added	Date Mitigated	Risk Assessment Date

Revision notes:

Rev:	Date:	Notes:
-	--	--

Drawn by: TB	Managers Check: DC	Directors Check: DB
-----------------	-----------------------	------------------------

Client:  
Mike Rowe

Project:  
Single storey rear extension - Full property redesign and layout  
  
Five Spires, Church Green, Woodford, NN14 4EU

Drawing Title:  
Existing Floor & Roof Plans

Scale @ A1: 1:50	Date: 21/09/2021	Revision: -
---------------------	---------------------	----------------

Project no. 200737	Drawing no. 200737-E-001
-----------------------	-----------------------------



Contact:  
 01933 426764 info@harburdesign.com www.harburdesign.com