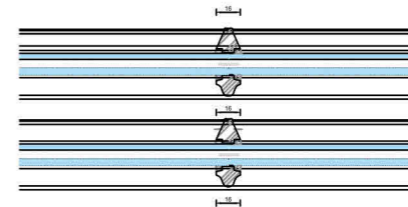
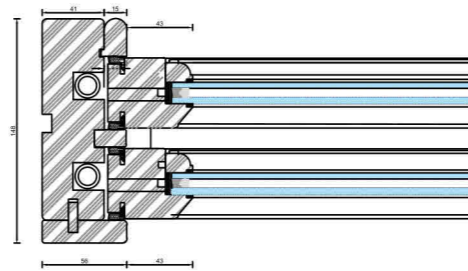
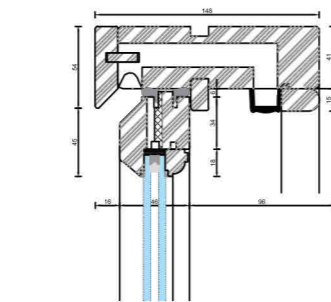


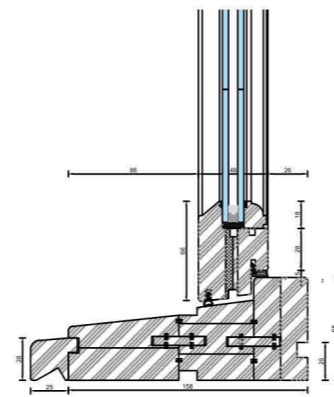
Detail 4. Window Jamb
Scale 1:5



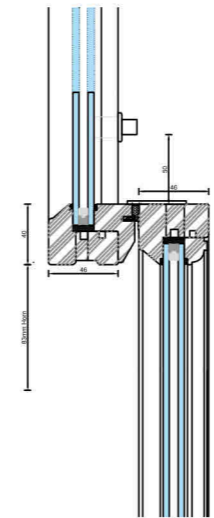
Detail 5. Window Bar
Scale 1:5



Detail 1. Window Head
Scale 1:5



Detail 2. Window Cill
Scale 1:5



Detail 3. Meeting Rail
Scale 1:5

This copy has been made by or with the authority of Midlothian Council pursuant to Section 47 of the Designs and Patents Act 1988. Unless that Act provides a relevant exception to copyright, the copy must not be copied without the prior permission of the copyright owner.

Notes:

0. General

Double glazed panes made up of:
3mm Cylinder glass externally.
6mm Krypton gas cavity, black warm edge spacer bar.
3mm clear glass with "Low E" coating internally.

Frame, astragals and casements will be painted timber.

Fenestration to match existing windows.

Rev	Date	Revision	By

Client:
Darren & Gillian Bunker

Project:
The Old Parsonage
Dalkeith
Proposed Alterations and Refurbishment

Title:
Historic Double Glazing Window Details
As Proposed

Issue Status: CONSENTS	Scale: Various	Original Size: A3
---------------------------	-------------------	----------------------

Date: Jan 2024	Drawn by: TD	Checked by: DJ
-------------------	-----------------	-------------------

Project No: E3752	Stage: 3 - Spatial Design	Drawing No: G (31) 001	Rev: .
-----------------------------	------------------------------	----------------------------------	-----------

20 Torphichen Street, Edinburgh, Scotland, EH3 8JB
Phone +44 (0)131 225 4235 Fax +44 (0)131 220 0499
enquiries@weareglm.com
www.weareglm.com
©GLM

