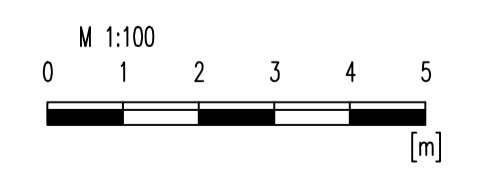
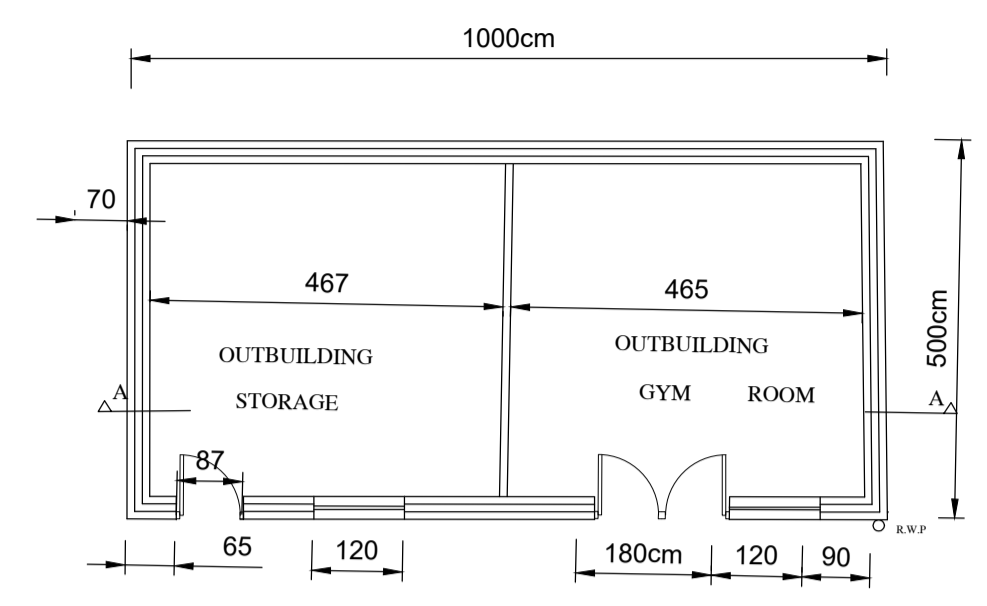


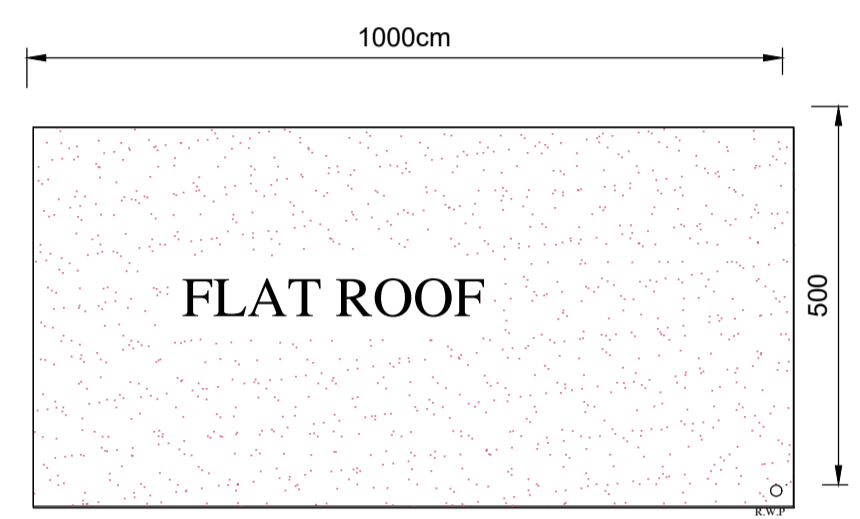
EXISTING FLOOR PLAN
SCALE 1/100@A1



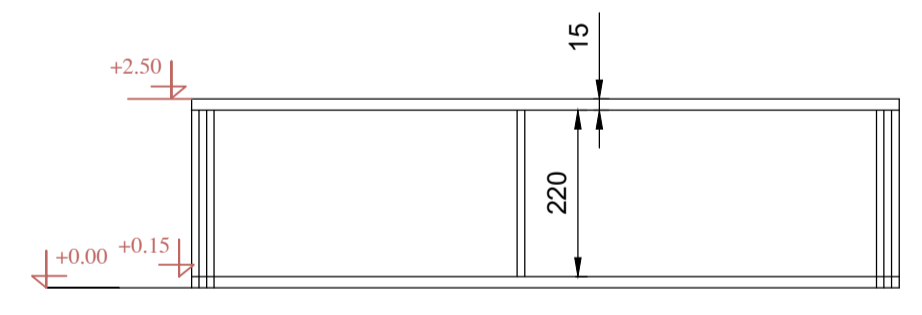
PROPOSED BLOCK PLAN
SCALE 1/100@A1



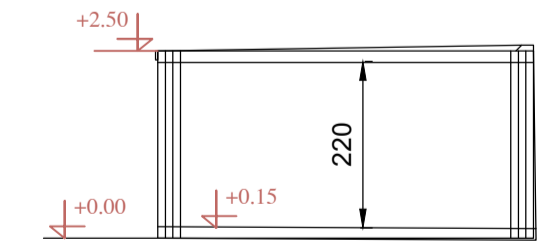
OUTBUILDING FLOOR PLAN
SCALE 1/100@A1



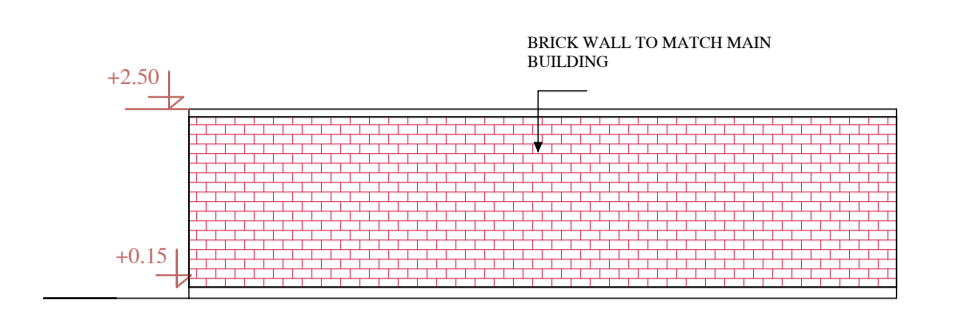
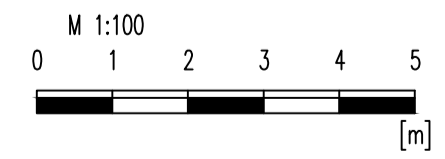
OUTBUILDING ROOF PLAN
SCALE 1/100@A1



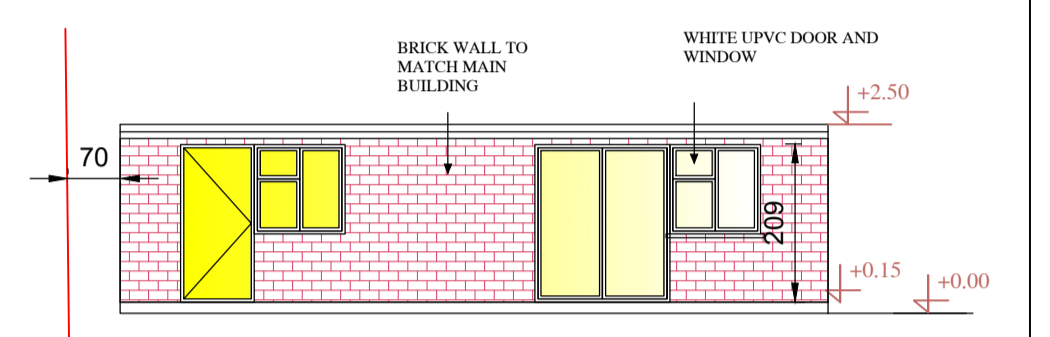
OUTBUILDING SECTION A-A
SCALE 1/100@A1



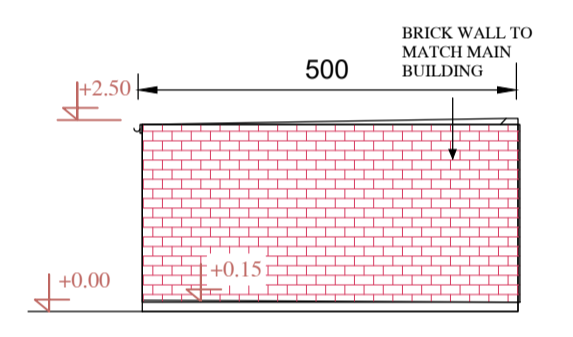
OUTBUILDING SECTION B-B
SCALE 1/100@A1



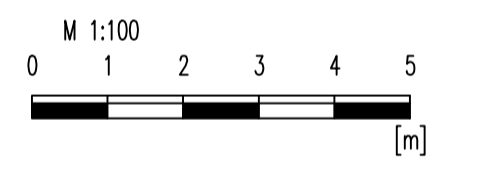
PROPOSED REAR ELEVATION
SCALE 1/100@A1



OUTBUILDING FRONT ELEVATION
SCALE 1/100@A1



OUTBUILDING SIDE ELEVATION
SCALE 1/100@A1



ALL UNITS ARE IN CENTIMETERS

| no | revision | date | control |
|---|----------|------|---------|
| | | | |
| project 2 UPSDELL AVENUE SOUTHGATE N13 6JN | | | |
| drawing title OUTBUILDING FLOOR PLAN, ROOF PLAN SECTIONS AND BLOCK PLANS | | | |
| scale 1/100@A1 | | | |
| date JAN '2024 | | | |
| drw.no CELAL-03-OUTBUILDING | | | |

ERK
Structural & Design Consultants
Nathan Erk
Dir. C. Eng.
Address:
189 Laymer Road, N9-9PN
Tel:
07791965601