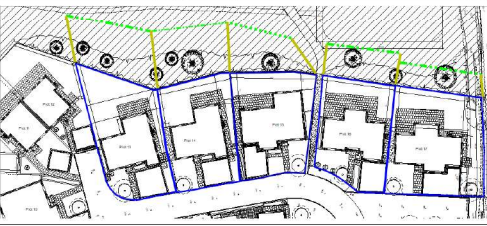


OnSight™

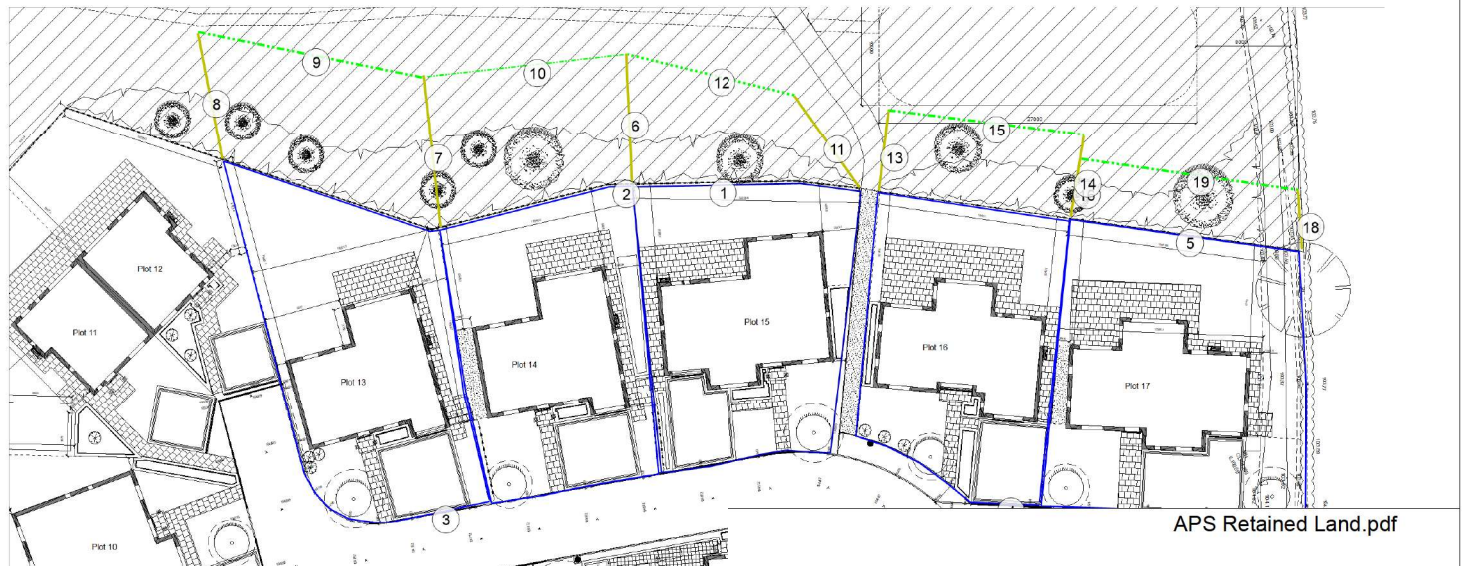
Job Title:	
Job Number:	
Date Measured:	17 December 2023
Contributors:	Paul Haycocks
Unit of Measure:	metres (m)
Print Option:	Current Drawing
Layer Visibility:	Visible Layers
Included Drawings:	APS Retained Land.pdf (APS Retained Land.pdf)





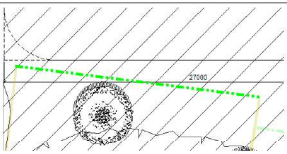
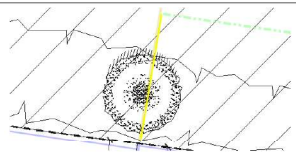

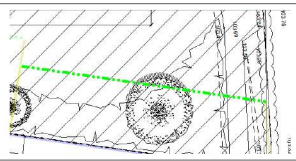
	Volume Total	Area Total	Linear Total	Count Total
Layer 1	- m ³	- m ²	571.598 m	- nr
B/F from sub layers:	- m ³	- m ²	- m	- nr
This layer + sub layers:	- m ³	- m ²	571.598 m	- nr

Comprising of: Volume Objects:0, Area objects:0, Linear objects:18, Count objects:0



APS Retained Land.pdf

	Plot 15 ownership boundary Annotation: 1 Length: 80.977 m		Plot 14 ownership boundary Annotation: 2 Length: 79.433 m
	Plot 13 ownership boundary Annotation: 3 Length: 87.973 m		Plot 16 ownership boundary Annotation: 4 Length: 78.664 m
	Plot 17 ownership boundary Annotation: 5 Length: 89.343 m		Object 6 Annotation: 6 Length: 10.964 m
	1.2m close board Annotation: 7 Length: 12.996 m		1.2m close board Annotation: 8 Length: 10.901 m
	Three rail fence 1.2 m high Annotation: 9 Length: 19.504 m		Three rail fence 1.2 m high Annotation: 10 Length: 17.072 m
	1.2m close board Annotation: 11 Length: 9.626 m		Three rail fence 1.2 m high Annotation: 12 Length: 14.725 m
	1.2m close board Annotation: 13 Length: 6.949 m		1.2m close board Annotation: 14 Length: 6.994 m

	<p>Three rail fence 1.2 m high Annotation: 15 Length: 16.843 m</p>		<p>1.2m close board Annotation: 16 Length: 4.944 m</p>
	<p>1.2m close board Annotation: 18 Length: 5.016 m</p>		<p>Three rail fence 1.2 m high Annotation: 19 Length: 18.675 m</p>