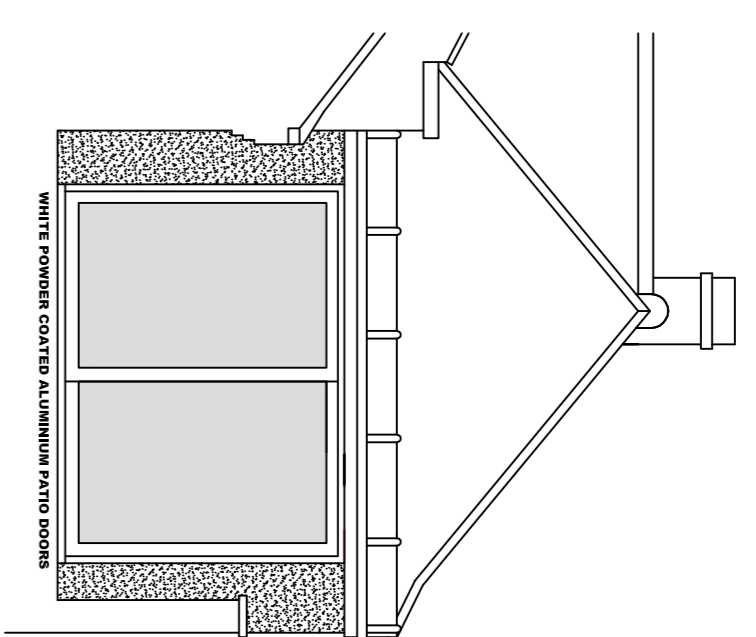
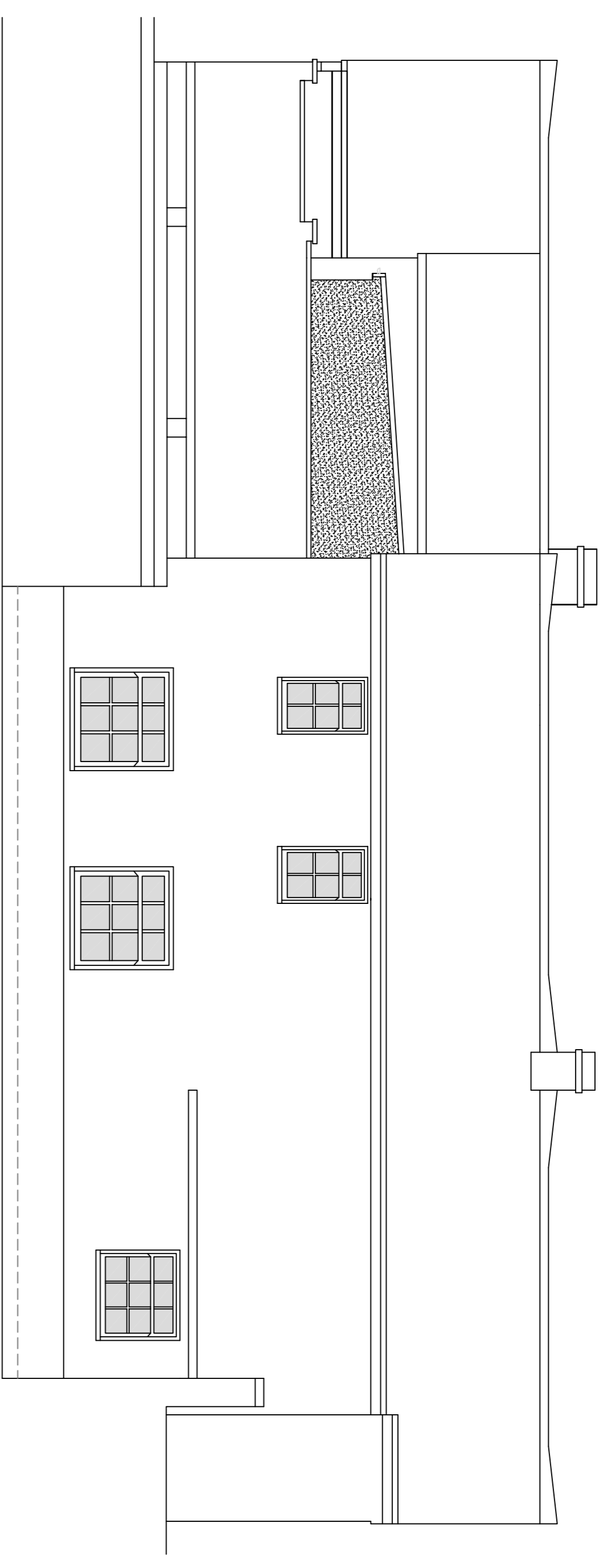


SOUTH WEST ELEVATION

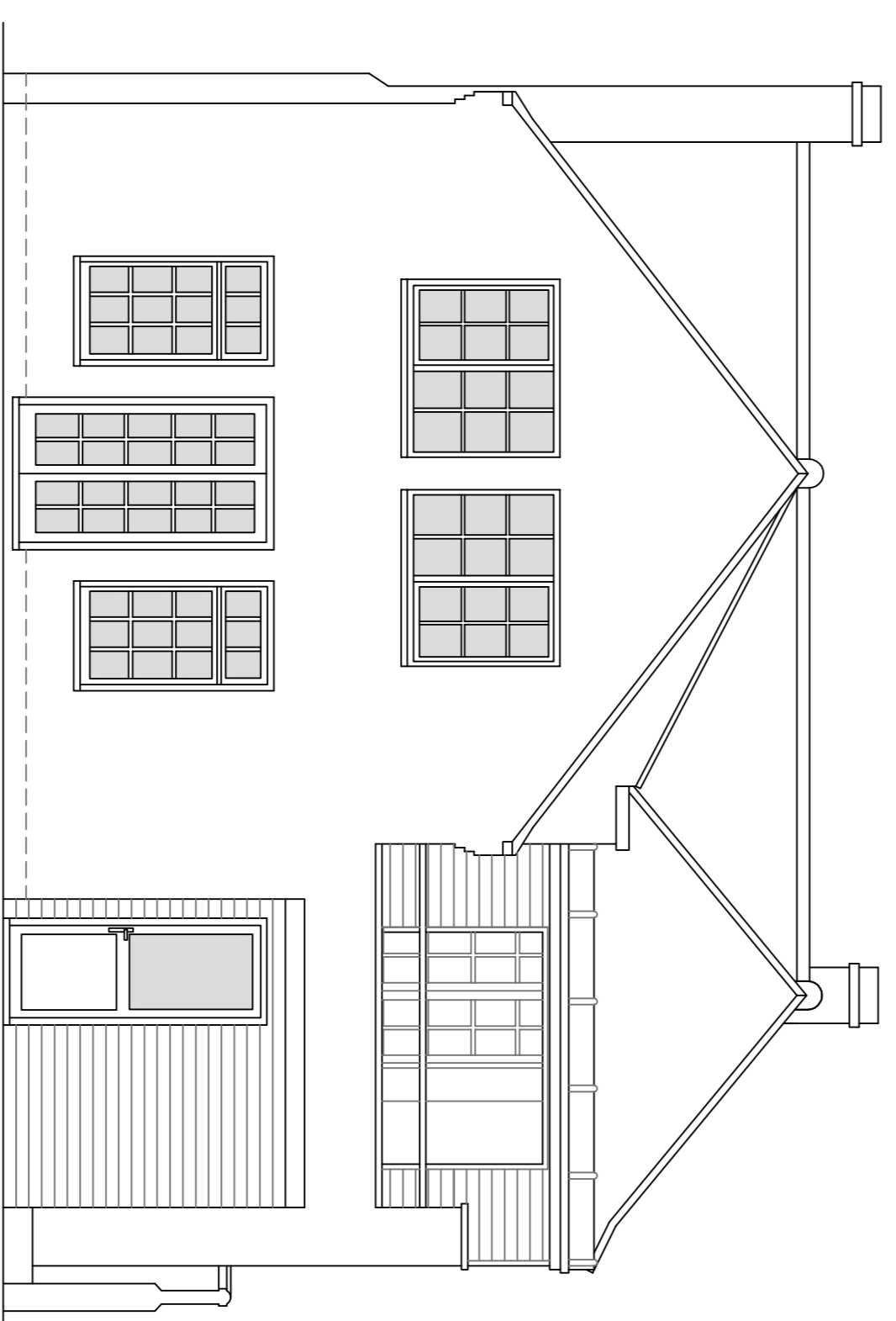


ALL STYWORK AND POOL CLADDING REMOVED AT GABLE LEVEL. ALL THE REST TO REMAIN WITH AN EXISTING FINISH TO BE REPAIRED AS NECESSARY TO ACCEPT TO BEHOLD. STYWORK AND POOL CLADDING TO BE REPAIRED AS NECESSARY TO BEHOLD. STYWORK AND POOL CLADDING TO BE REPAIRED AS NECESSARY TO BEHOLD. STYWORK AND POOL CLADDING TO BE REPAIRED AS NECESSARY TO BEHOLD.

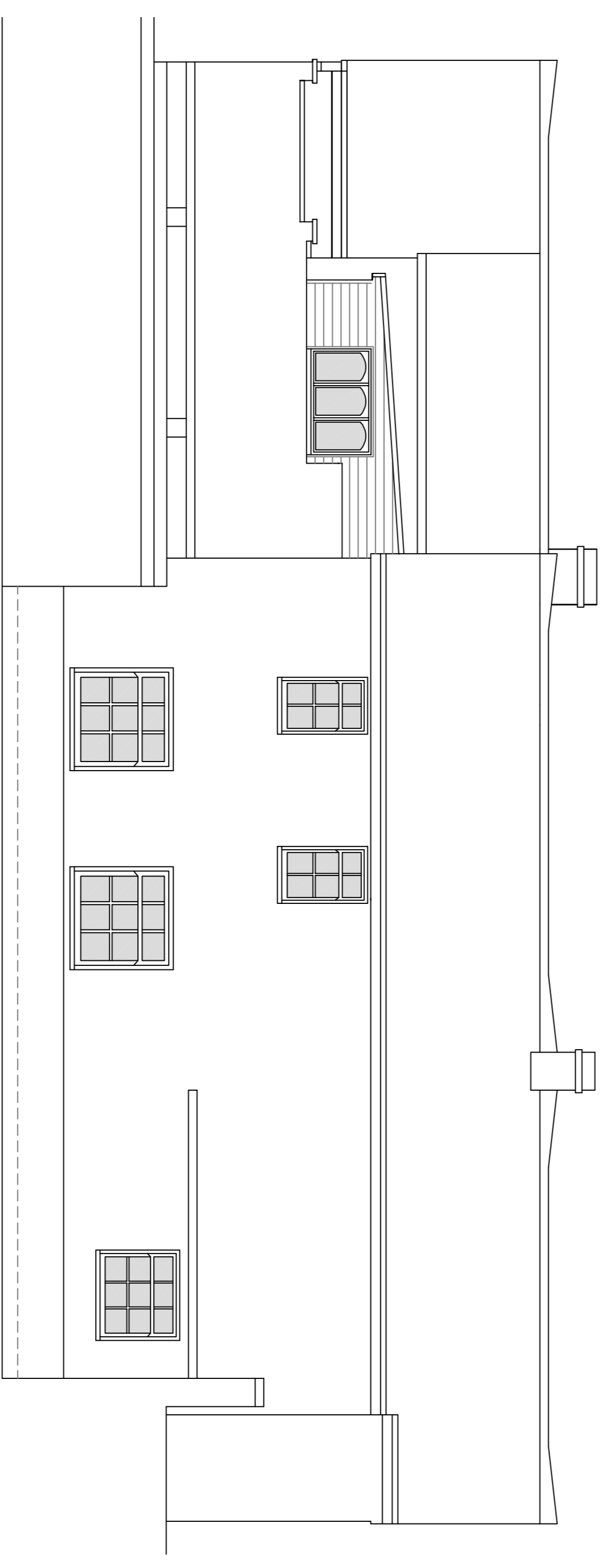


SOUTH EAST ELEVATION

ELEVATIONS AS PROPOSED

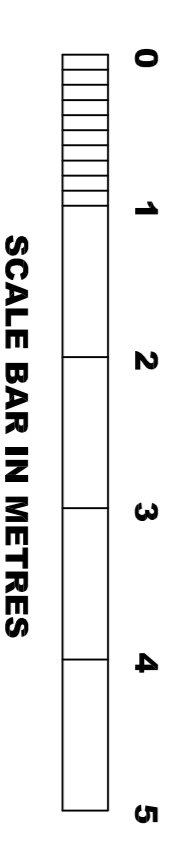


SOUTH WEST ELEVATION



SOUTH EAST ELEVATION

ELEVATIONS AS EXISTING



SCALE BAR IN METRES