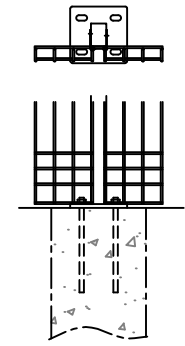
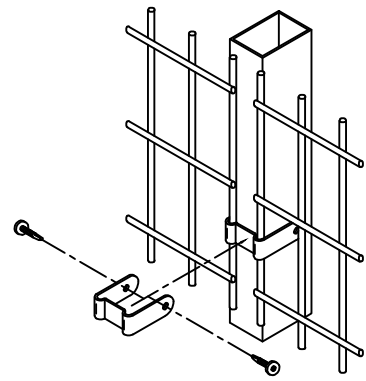


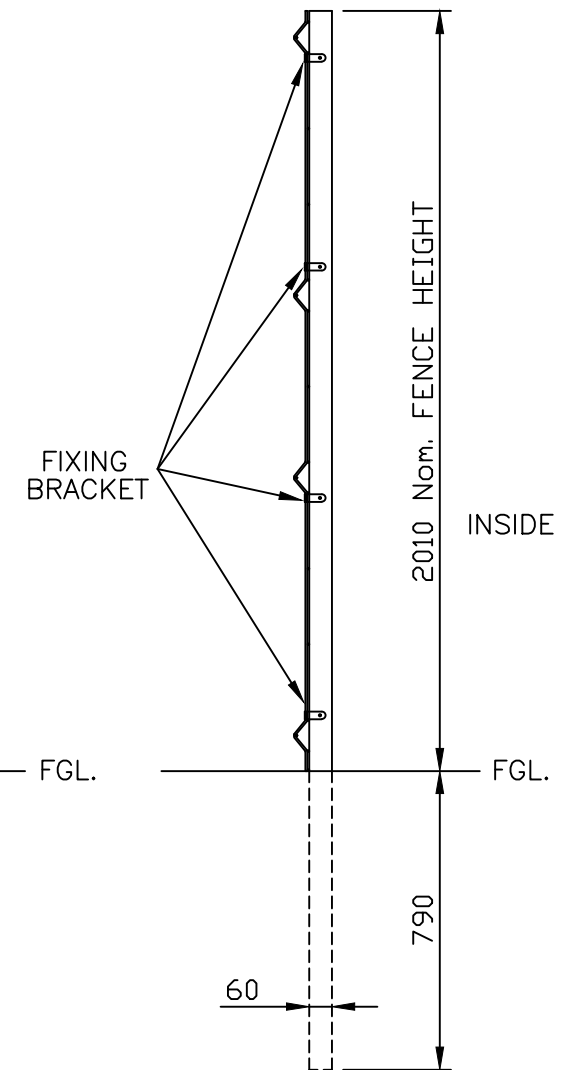
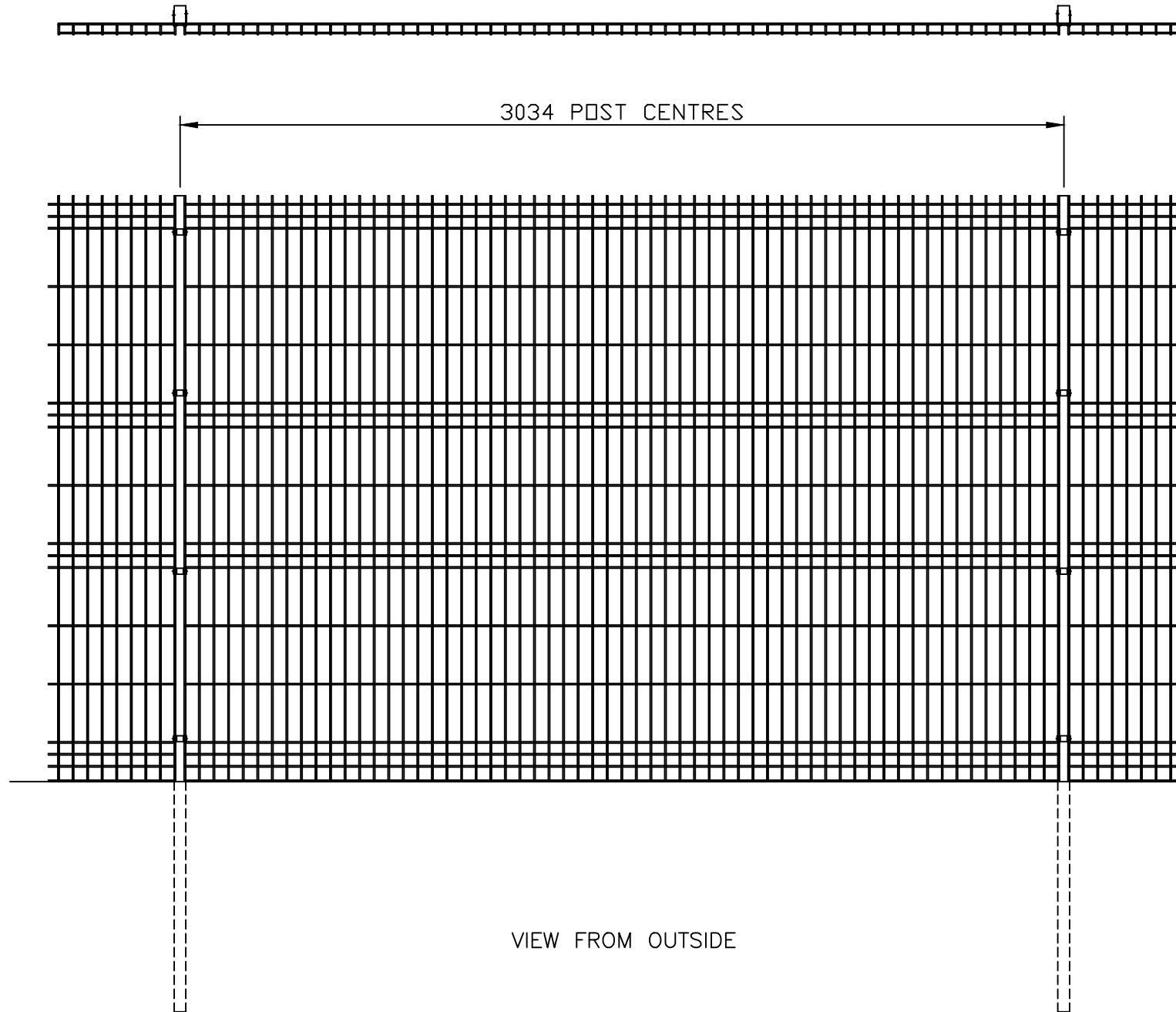
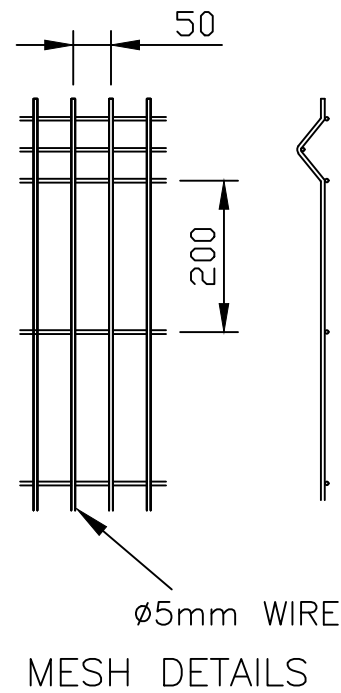
150 x 10 thk x 150
BASEPLATE DRILLED FOR
4 No. M12 CHEMICAL FIXINGS



BASEPLATED POSTS
(OPTIONAL)



FIXING BRACKET
DETAIL



NOTES.

ALL DIMENSIONS ARE IN mm (UNO)
GAPS UNDER GATES ARE
NOMINAL DUE TO GROUND LEVELS.

MATERIALS.

POST: 60 x 40 RHS (TYPICAL)
(POSTS ASSESSED TO SITE LOCATION)

FINISH.

GALVANISED TO BS EN ISO 1461
POWDER COATED: IF REQUESTED

**Jacksons
Fencing**

Stowting Common, Near Ashford,
Kent. TN25 6BN
Telephone: 01233 750393
Fax: 01233 750403
www.jacksons-fencing.co.uk
www.jacksons-security.co.uk

DO NOT SCALE – IF IN DOUBT ASK

- ⑦ 19/02/2020 NEW BORDER + NOTES UPDATED
- ⑥ 25/06/2018 BASEPLATE OPTION
- ⑤ 07/02/15 1 No. Extra Clip added
- ④ 25/02/11 50mm Wire Centres
- ③ 04/01/10 Panels Corrected

Drawn	S.leeper
Date	15/06/2006
Checked	Chris J
Size	A3
Scale	1:20 U.O.S

TITLE	SALES DRAWING	
	2m HIGH EUROGUARD REGULAR FENCE	
CUSTOMER		
ACK No.		
Drawing No.	J6/01058	
	Sheet 3	

This Drawing Is The Property Of H.S. Jackson & Son (Fencing) Ltd, And May Not Be Copied Or Reproduced In Any Way Without Prior Written Permission.