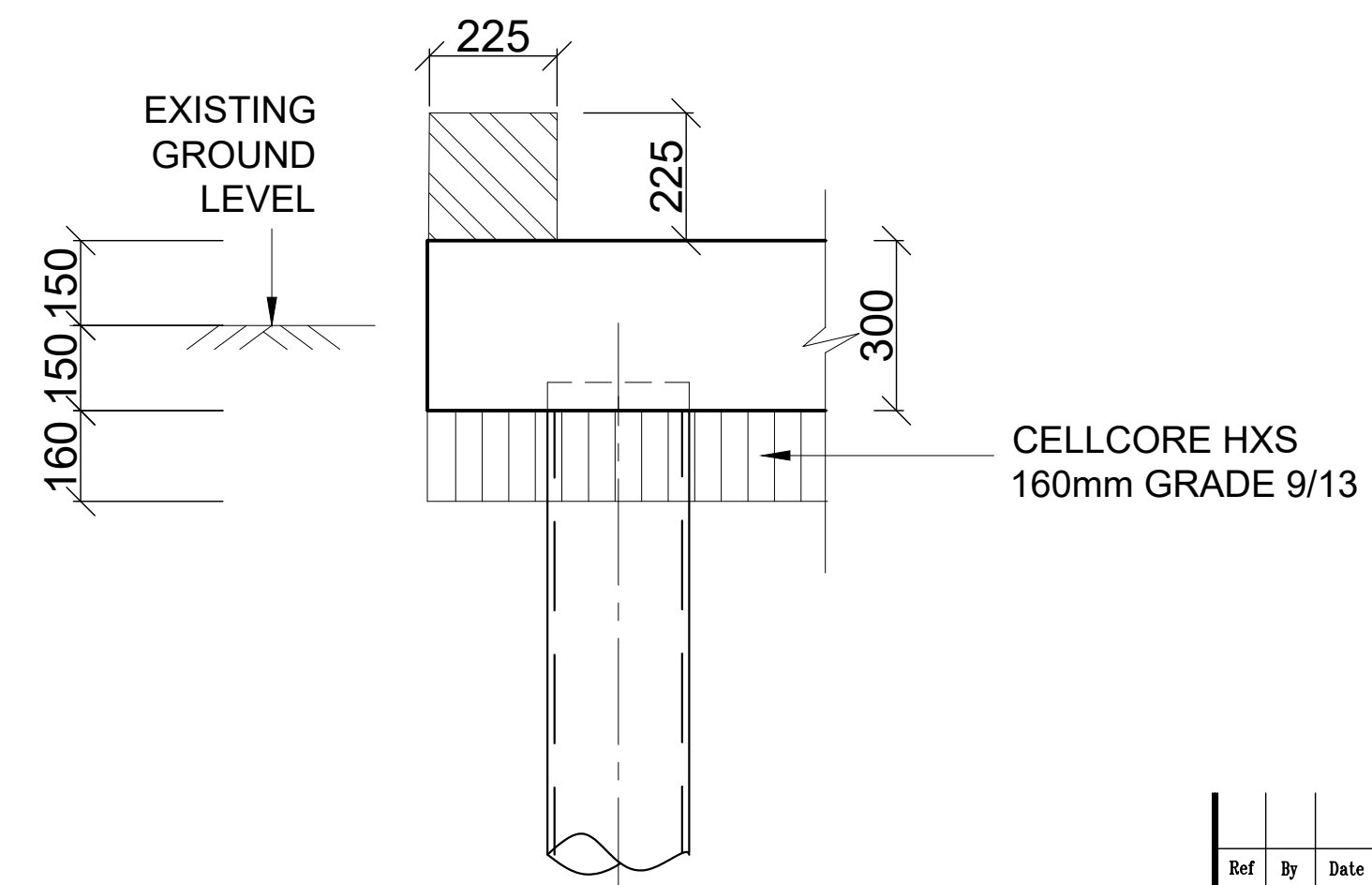
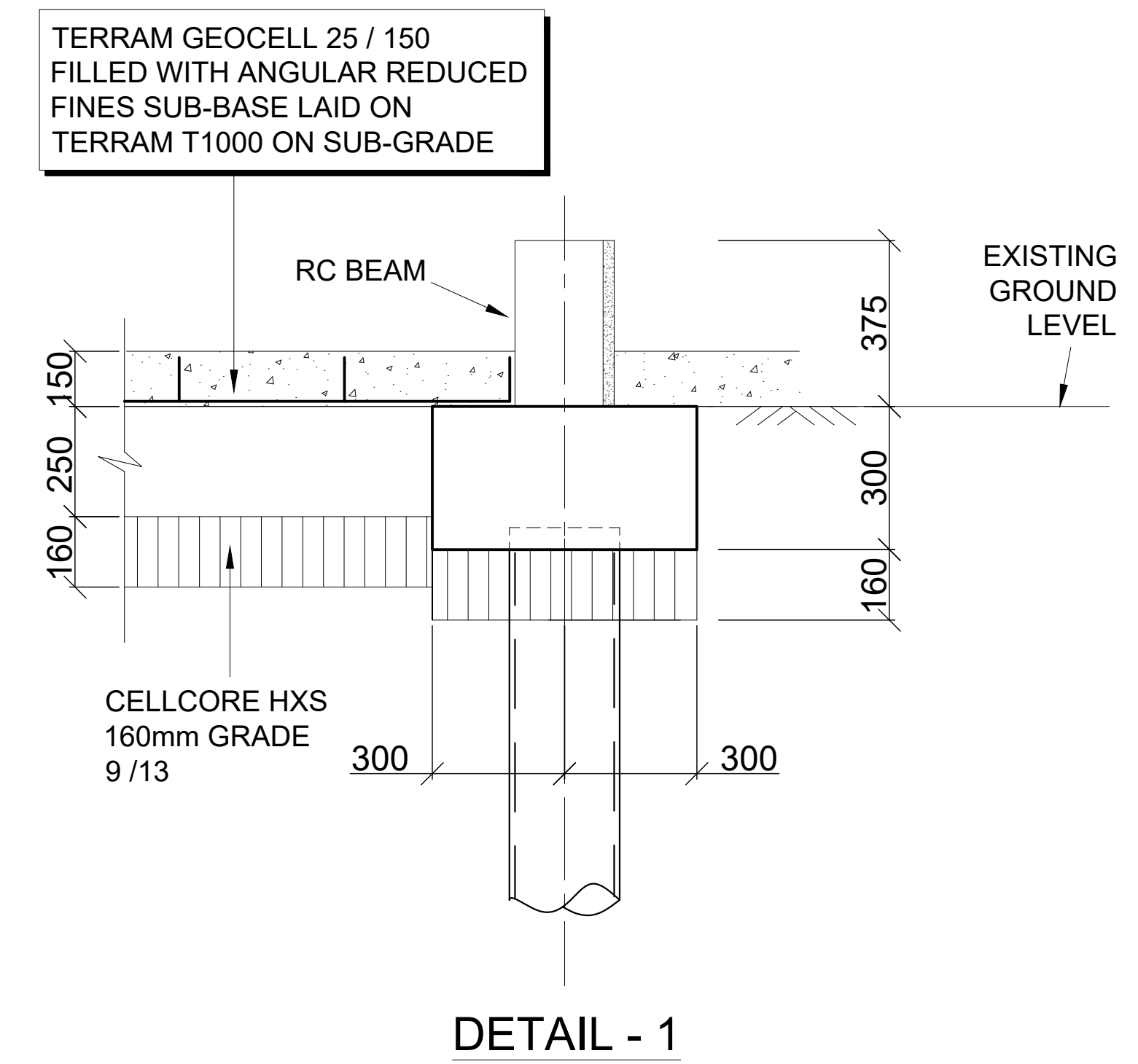


PROPOSED PILED FOUNDATIONS



DETAIL - 2

Ref	By	Date	Description	QA
PAUL R COLLINSON Chartered Structural Engineer CEng MICE MStructE 231 Cambridge Road, Hitchin, Herts, SG4 0JR EMAIL: paul2314141@gmail.com				
PROJECT: WYNCHWOOD WINDMILL HILL CHIPPERFIELD, KMINGS LANGLEY, HERTS WD4 9DA				
CLIENT: MR & MRS S McMORROW				
TITLE: PROPOSED CAR PORTS AND GARAGE FOUNDATIONS				
SCALE:			DATE: DEC 2023	
STATUS: FOR PLANNING APPROVAL				
CAD REFERENCE: WYNCHW_101			DRAWING NUMBER: REV: PC 2304 / 101	