



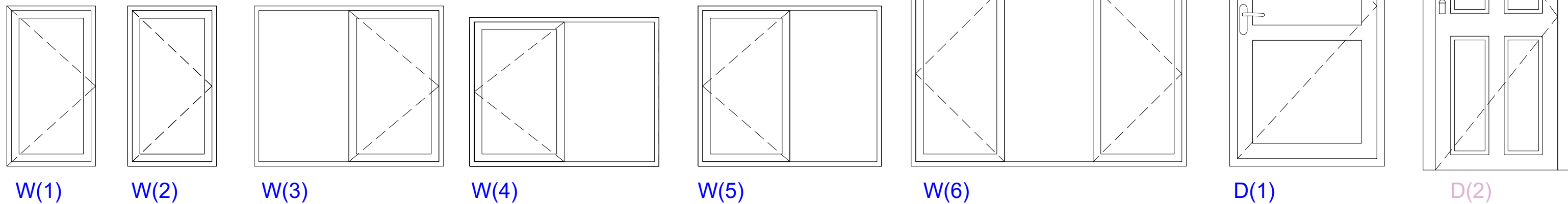


The contractor is responsible to ensure that no products are to be utilised that do not comply with relevant British and/or European Standards and/or Codes of Practice, COSHH Regulations, Construction Regulations, or which are known or suspected at the time of product selection and/or construction to be deleterious to health and EBFety or to the durability of the work or not in accordance with good building practices.  
 The contractor is responsible for checking dimensions, tolerances, levels and references. This drawing/model is to be read in conjunction with all relevant Other Project Team Members' or specialists' drawings/models/any Federated Model. Any discrepancy is to be notified to Baily Garner LLP and is to be rectified before proceeding with the works on site or shop drawings. Where an item is covered by drawings to different scales, the larger scale drawing is to be worked to.  
 Any rights (including copyright) in this drawing/model and any proprietary work contained therein belong to Baily Garner LLP and may only be used in accordance with the licence granted to the Employer and with attribution to Baily Garner LLP.  
 The drawing to be read in conjunction with: Document Suitability Codes page or at [www.bailygarner.co.uk/disclaimer/](http://www.bailygarner.co.uk/disclaimer/)

**KEY**

-  TIMBER FRAMED
-  uPVC FRAMED
-  uPVC VELUX FRAMED
-  COMPOSITE DOORS



PROPOSED WINDOW TYPES:  
1:25



# 6 Comet Close

## Proposed Window Schedule

CLIENT NAME Durkan Limited		PROJECT NAME Durkan Limited - Batch 2 Window Replacements			
PROJECT ADDRESS 6 Comet Close London, E12 5BW		DRAWING TITLE Proposed Window Schedule			
		SUITABILITY CODE Planning			
SCALE 1:25	DRAWN EB	APPROVED HG	APPROVED	DATE 12/2023	
PROJ NO 35293	AUTHOR BGL	VOLUME A1	LEVEL XX	DOCTP DR	ROLE A
				DRW NO 1500	REV STAT P
					REV NO 01



LONDON HEAD OFFICE  
146-148 ELTHAM HILL  
LONDON SE9 5DY  
t. 020 8294 1000  
e. general@bailygarner.co.uk