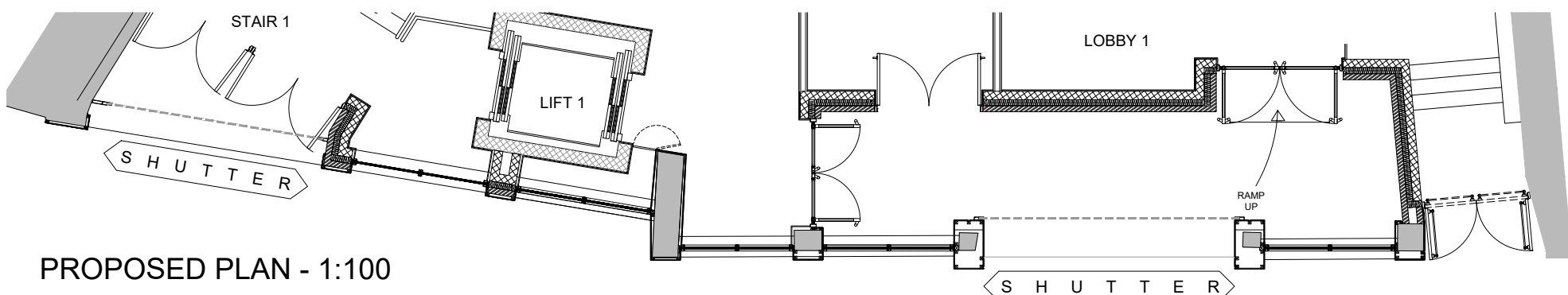




ELEVATION DURING OPENING HOURS - 1:100



ELEVATION OUT OF HOURS - 1:100



PROPOSED PLAN - 1:100



IMAGE 1 - TYPICAL INSTALLATION

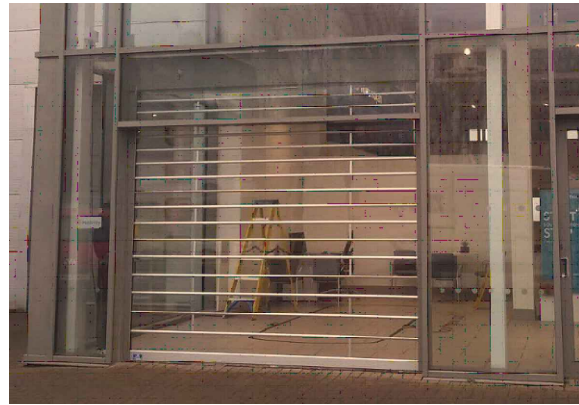
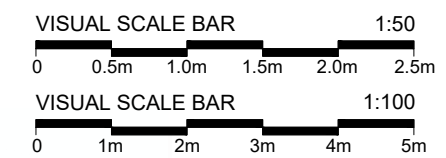


IMAGE 2 - TYPICAL INSTALLATION



IMAGE 3 - TYPICAL INSTALLATION



NOTES
DO NOT SCALE THIS DRAWING. IF IN DOUBT ASK. THIS DRAWING IS COPYRIGHT DUNWOODIE SWIFT ARCHITECTS LTD. ALL DIMENSIONS TO BE CONFIRMED ON SITE. ANY INCONSISTENCIES TO BE REPORTED TO ARCHITECT IMMEDIATELY.

Facade Transparent Roller Shutter

A fully transparent roller shutter, made from virtually unbreakable polycarbonate. Facade shutters provide a transparent barrier that is versatile, durable and good-looking.

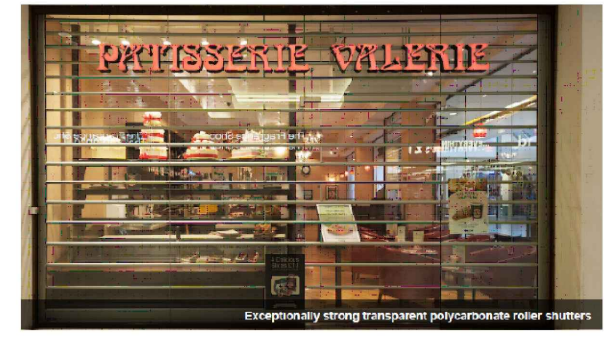
The first thing you will notice about this shutter is how it creates a feeling of security, while maintaining a welcoming atmosphere. The Facade is a very versatile shutter that works well in commercial situations such as at airports, in shopping malls and at reception desks. It's also a good product to protect domestic windows and patio areas.

Key features

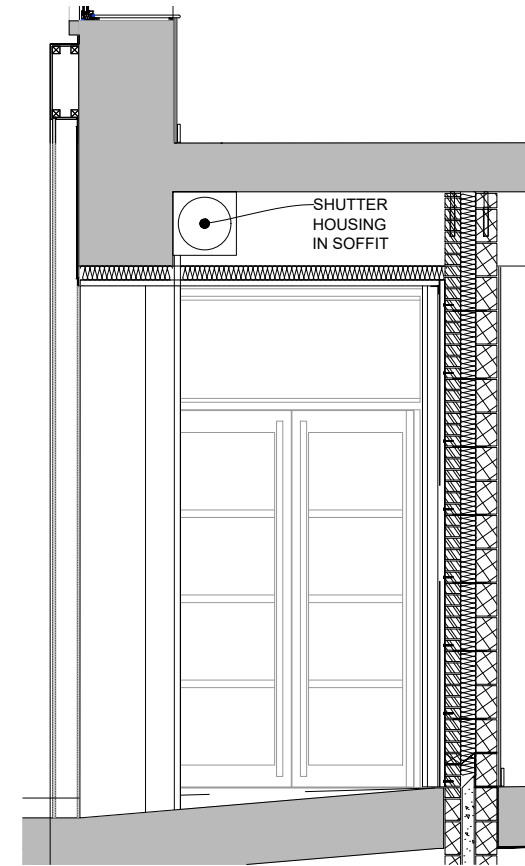
- Made from transparent polycarbonate
- Exceptionally strong and durable
- Compact and versatile

Suitable for

- Shopfronts
- Airports
- Shopping malls
- Reception desks
- Banks
- Domestic use



PRODUCT DATA SHEET



SECTION THROUGH MAIN ENTRANCE - 1:50

SK01	19/12/23	FIRST ISSUE	CGF	PS
REV	DATE	DESCRIPTION	BY	CHK

dunwoodieswift architects

CLIENT
ANSON HOUSE 12

PROJECT
STACK DURHAM
4 SILVER STREET

TITLE
PROPOSED SHUTTERS TO SILVER STREET ELEVATION

SCALE @ A3
1:50 & 1:100

STATUS
SKETCH

CHECKED BY PS
19/12/2023

PROJECT No. 1049 | DRAWING No. EL-[00]-220 | REVISION SK01

REVIEW