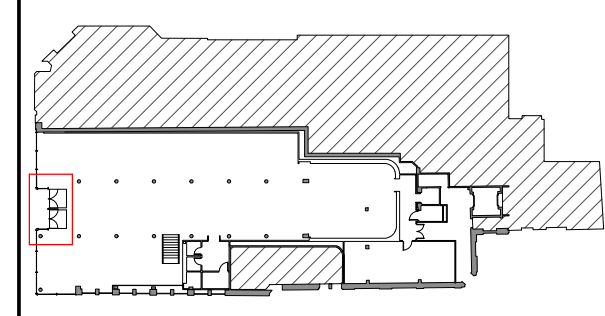
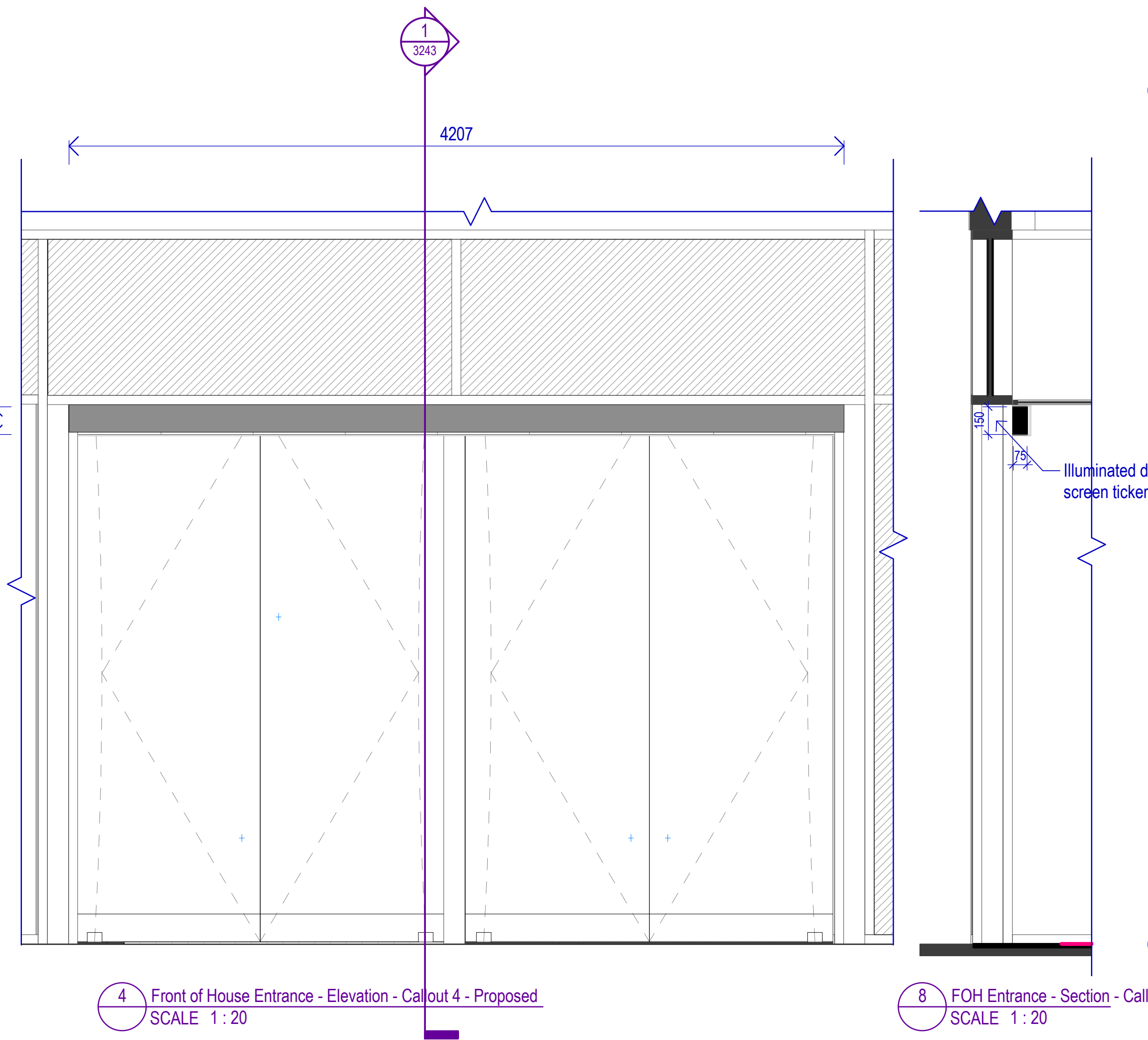
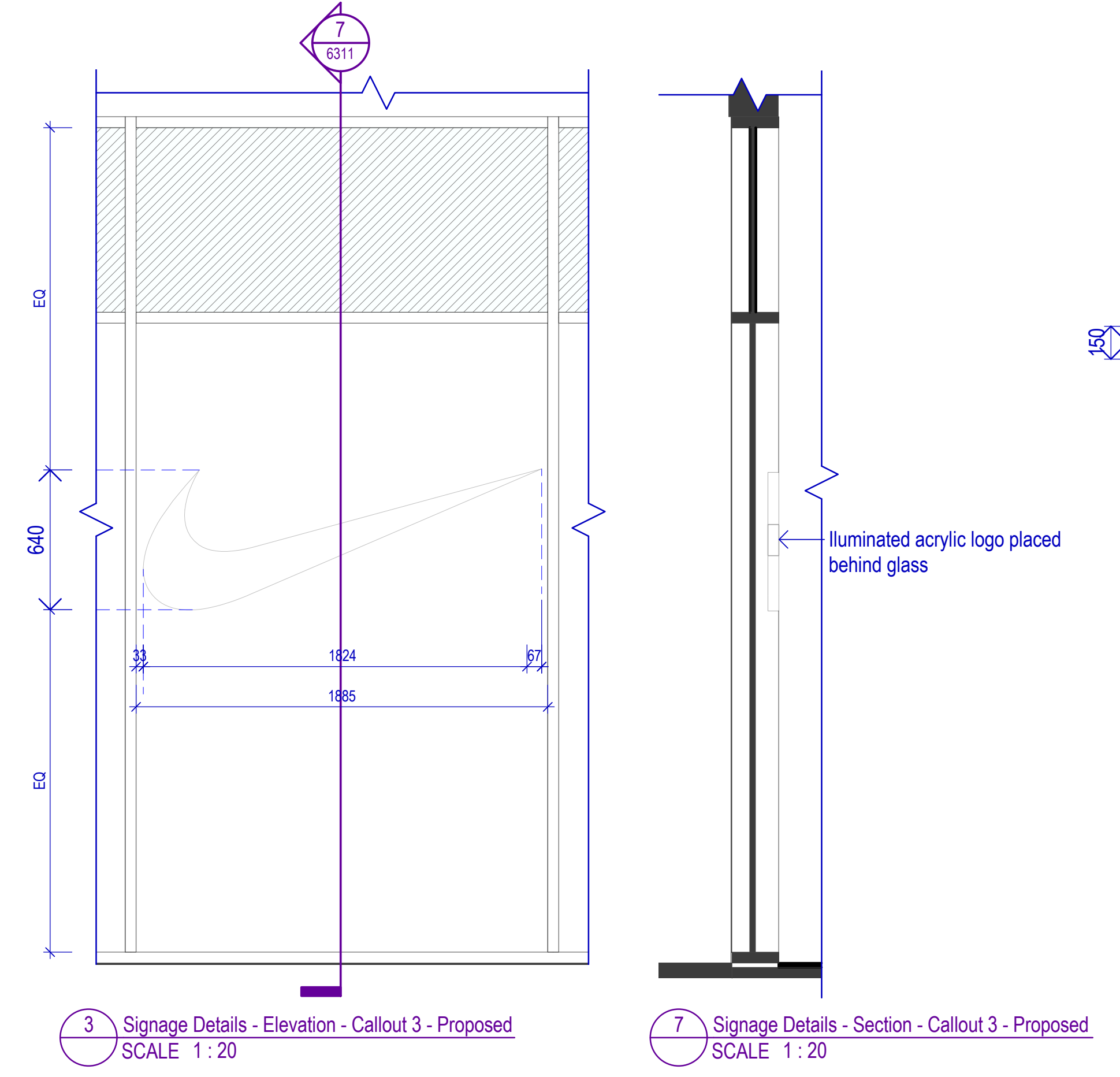
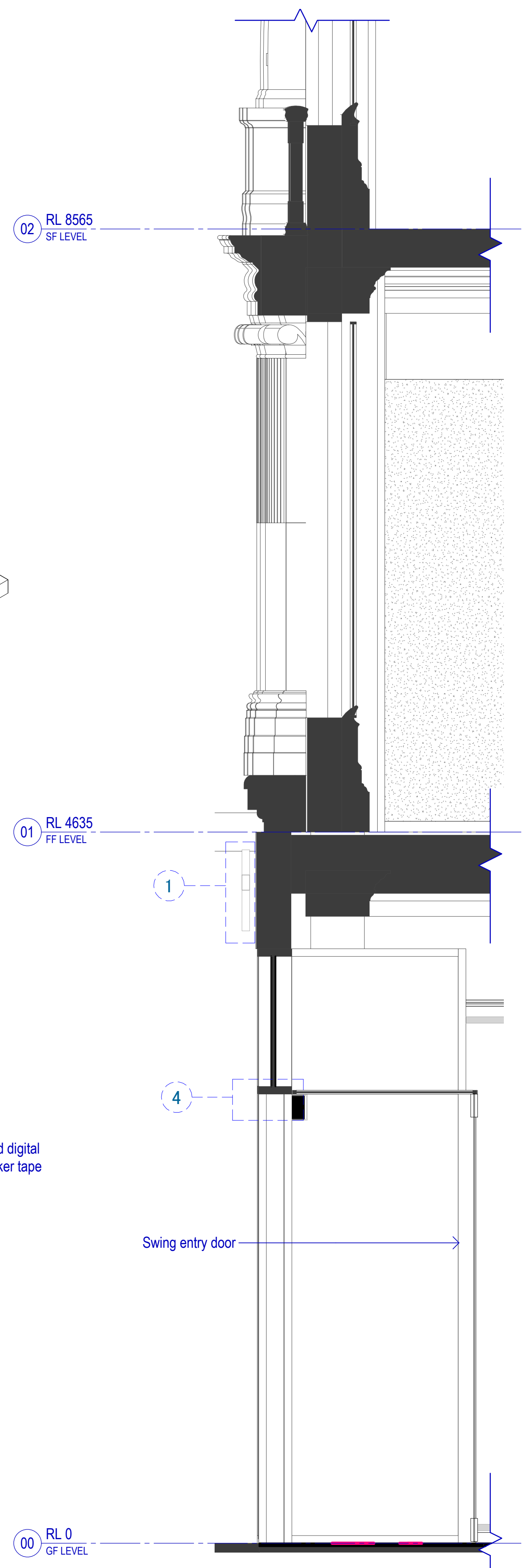
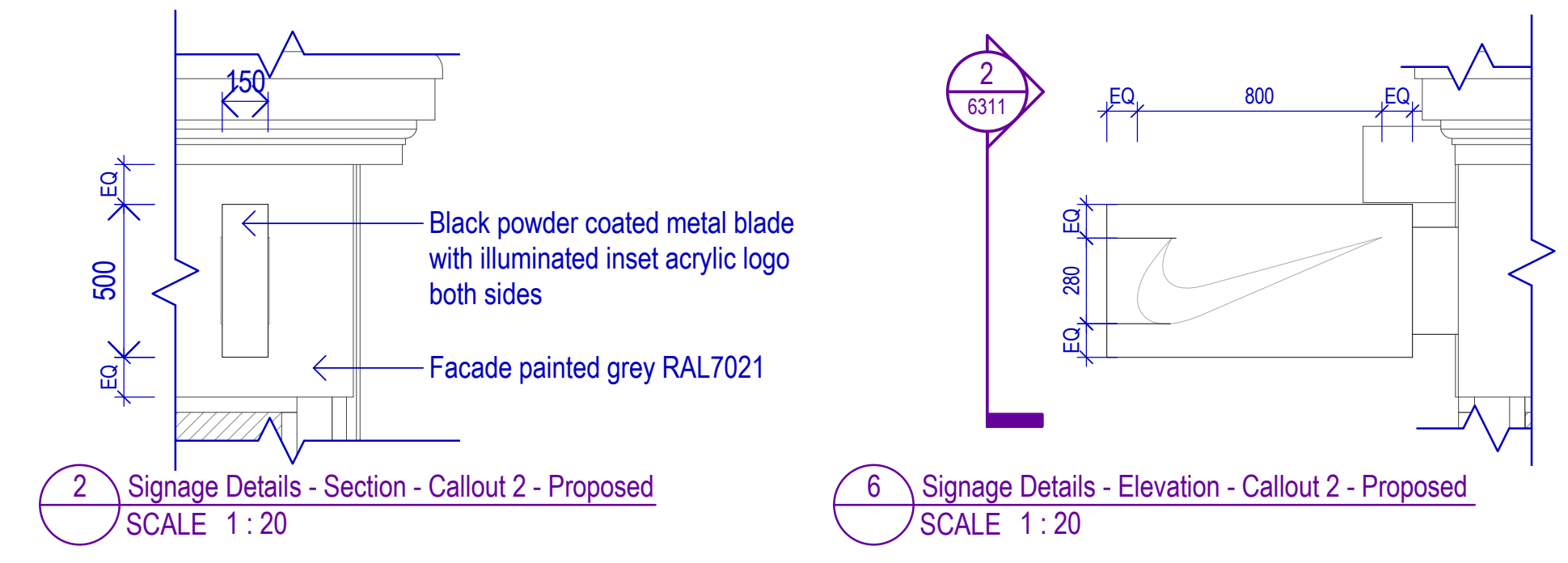
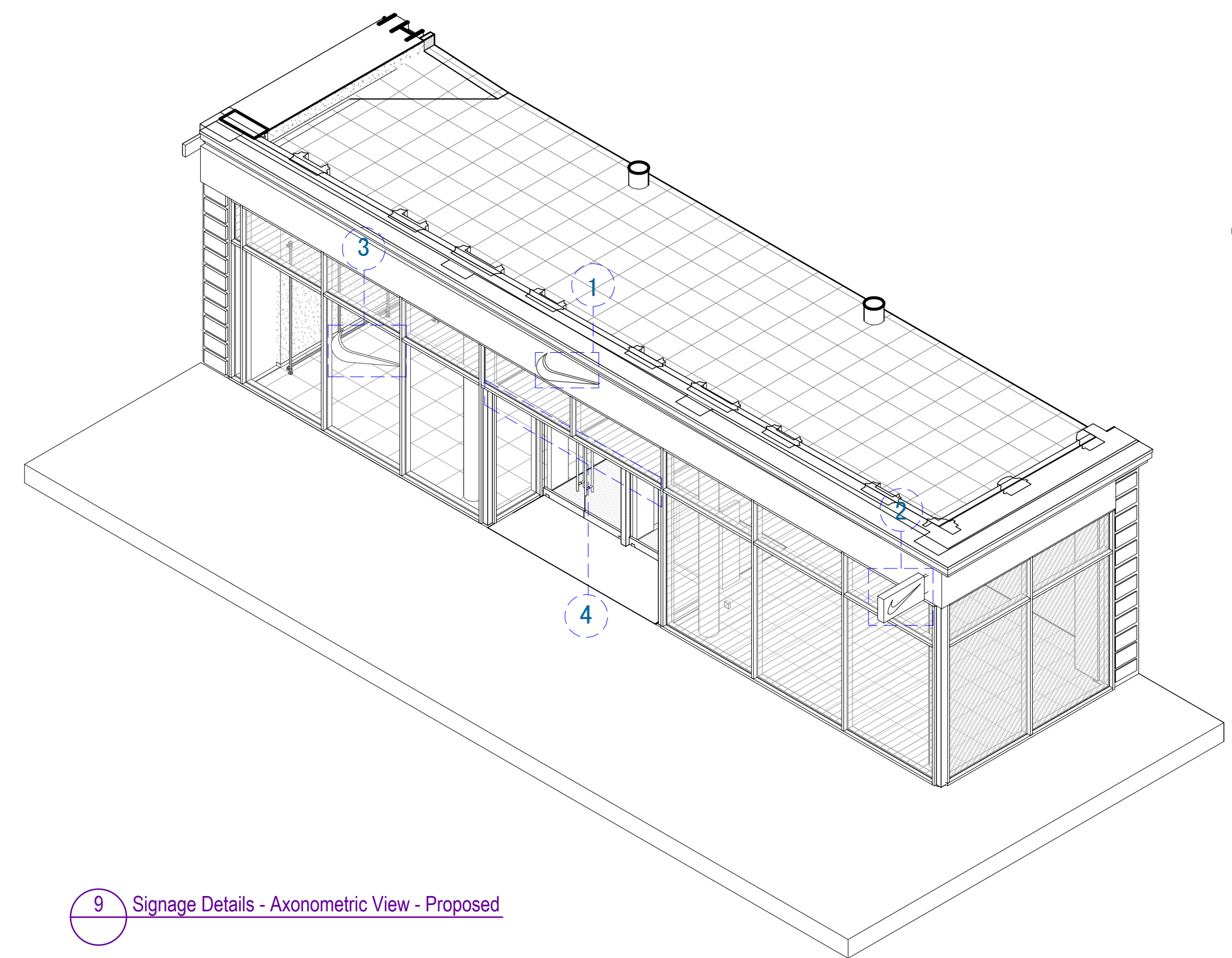
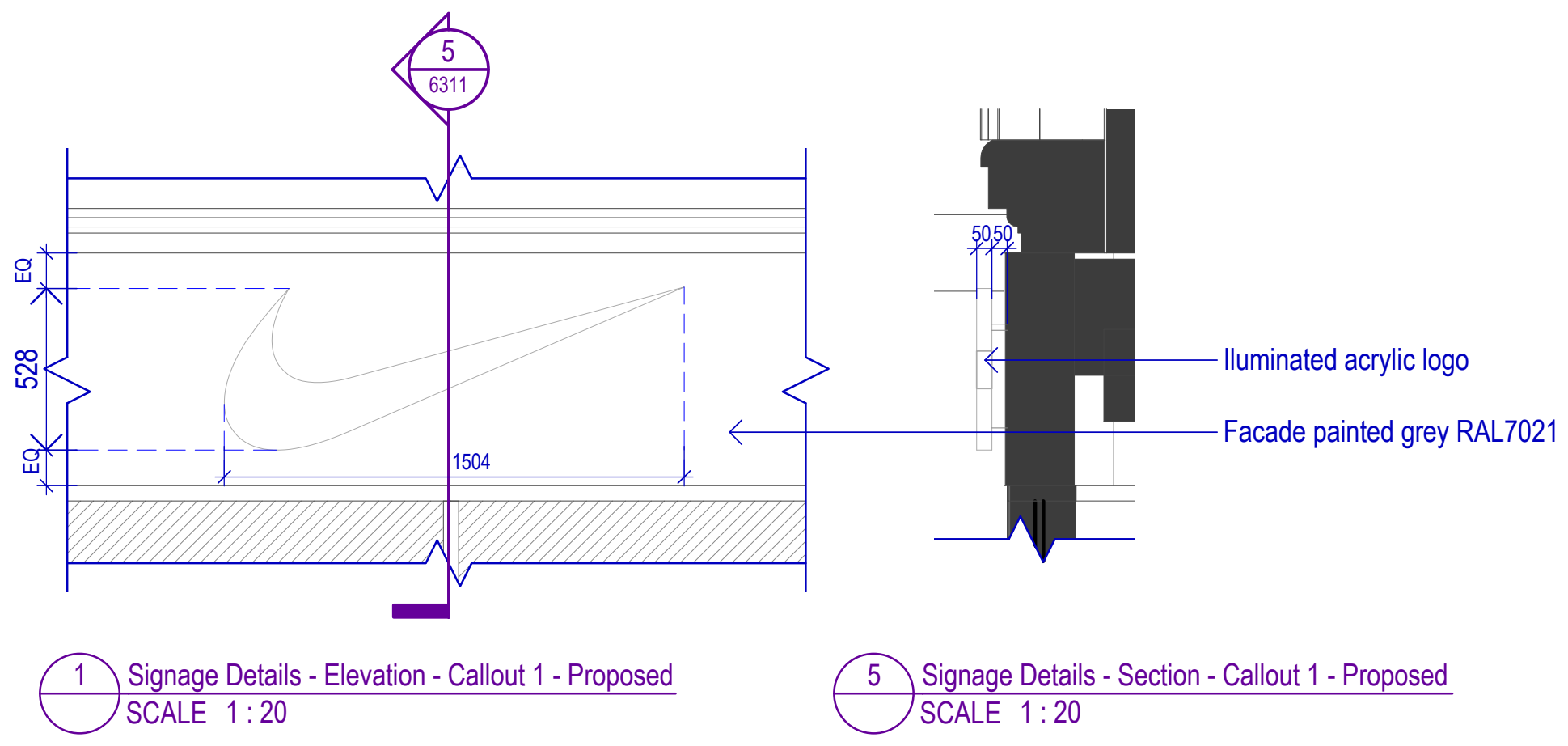


| Recent revision history | #          | Status             | Description | Date     |
|-------------------------|------------|--------------------|-------------|----------|
| A                       | For Review | STAGE 3            |             | 04/08/23 |
| B                       | For Review | STAGE 4 - 90%      |             | 29/09/23 |
| C                       | For Tender | STAGE 4 - 100%     |             | 23/10/23 |
| D                       | For Tender | STAGE 4 - Revision |             | 03/11/23 |

Notes  
 Copyright © Woods Bagot 2018  
 All Rights Reserved  
 No material may be reproduced without prior permission  
 Contractor must verify all dimensions on site before commencing work or preparing shop drawings.  
 Do not scale drawings.

LENTICULAR FILM APPLIED TO INTERNAL FACE OF GLASS



Project  
**NIKE GLASGOW**

Client  
**NIKE**

Issuer  
**W-B™ WOODS BAGOT**

Project number  
441047

Size check  
25mm

Checked  
GV

Approved  
AL

Sheet size  
A1

Scale  
As indicated

Sheet title  
**Signage Details - Proposed**

Sheet number  
**A-6311**

Revision  
**D**

Status  
**FOR TENDER**