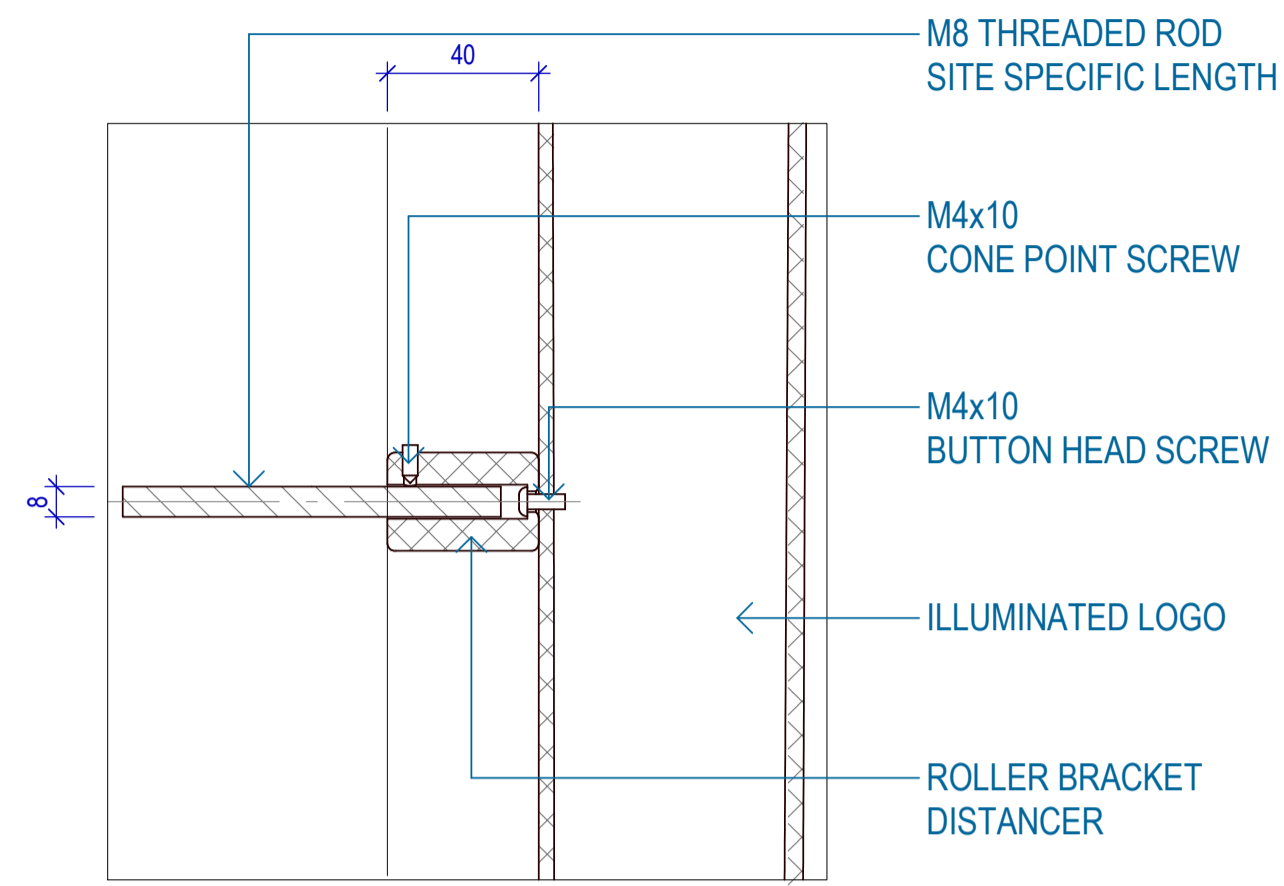
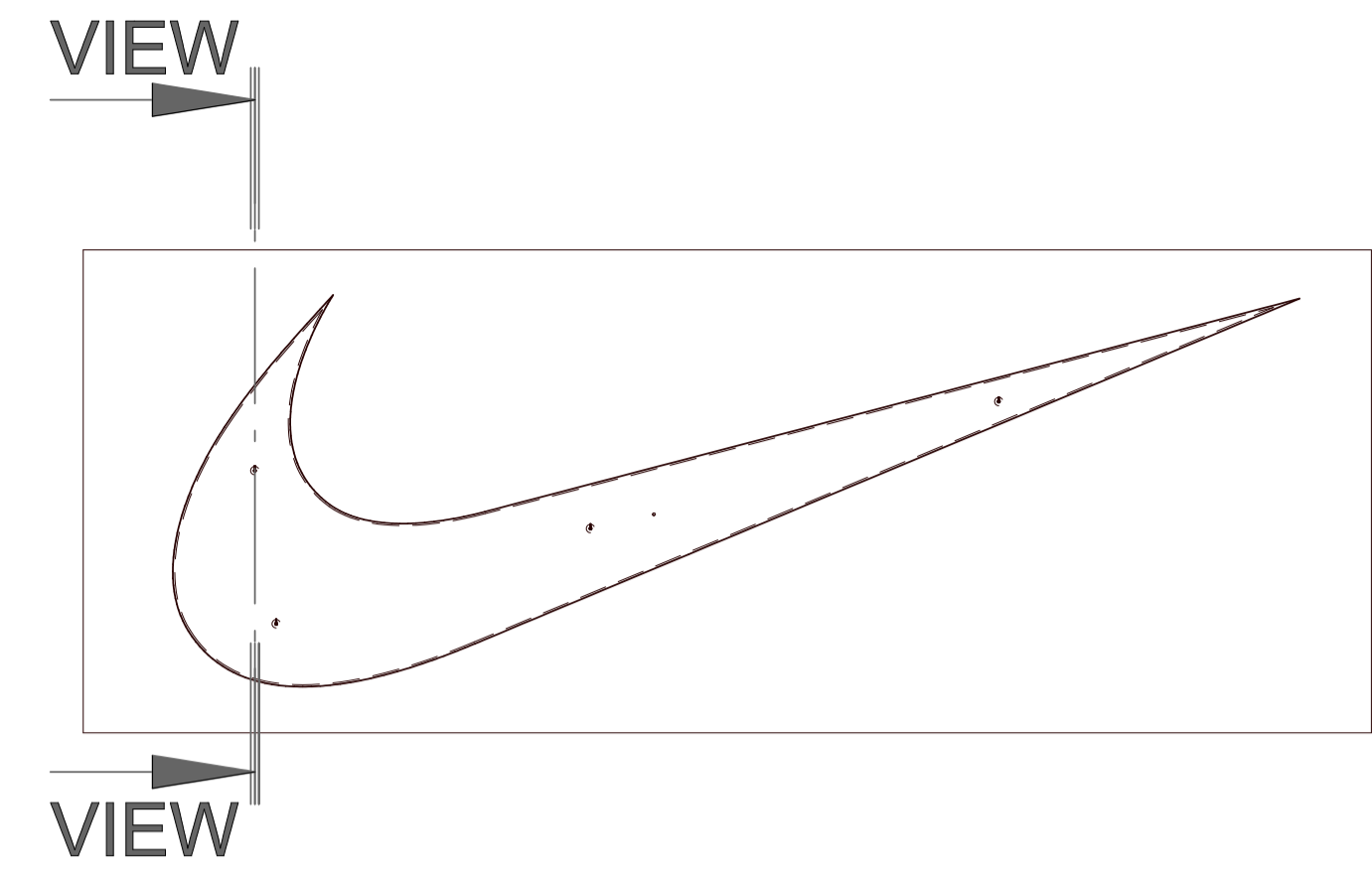
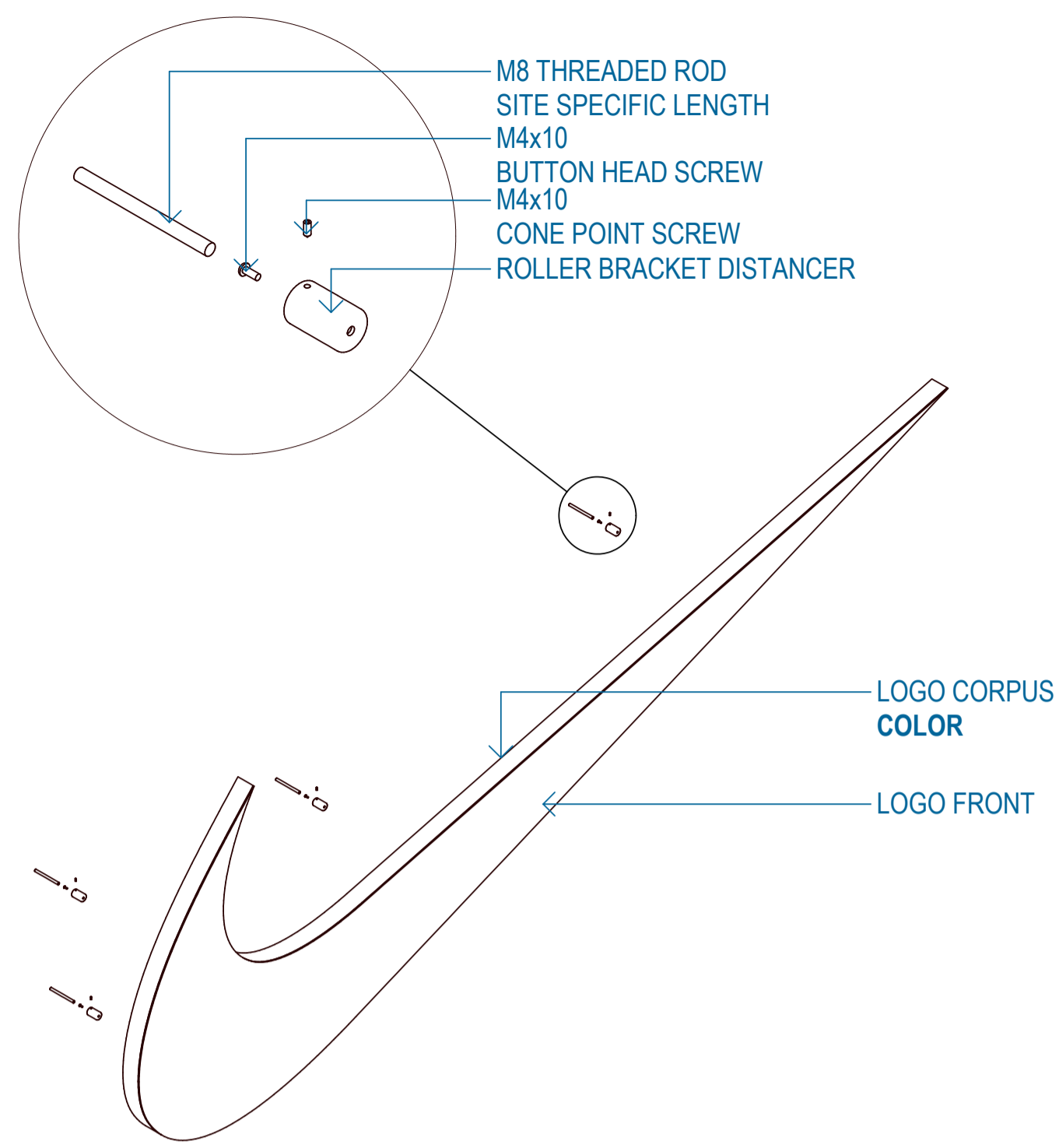


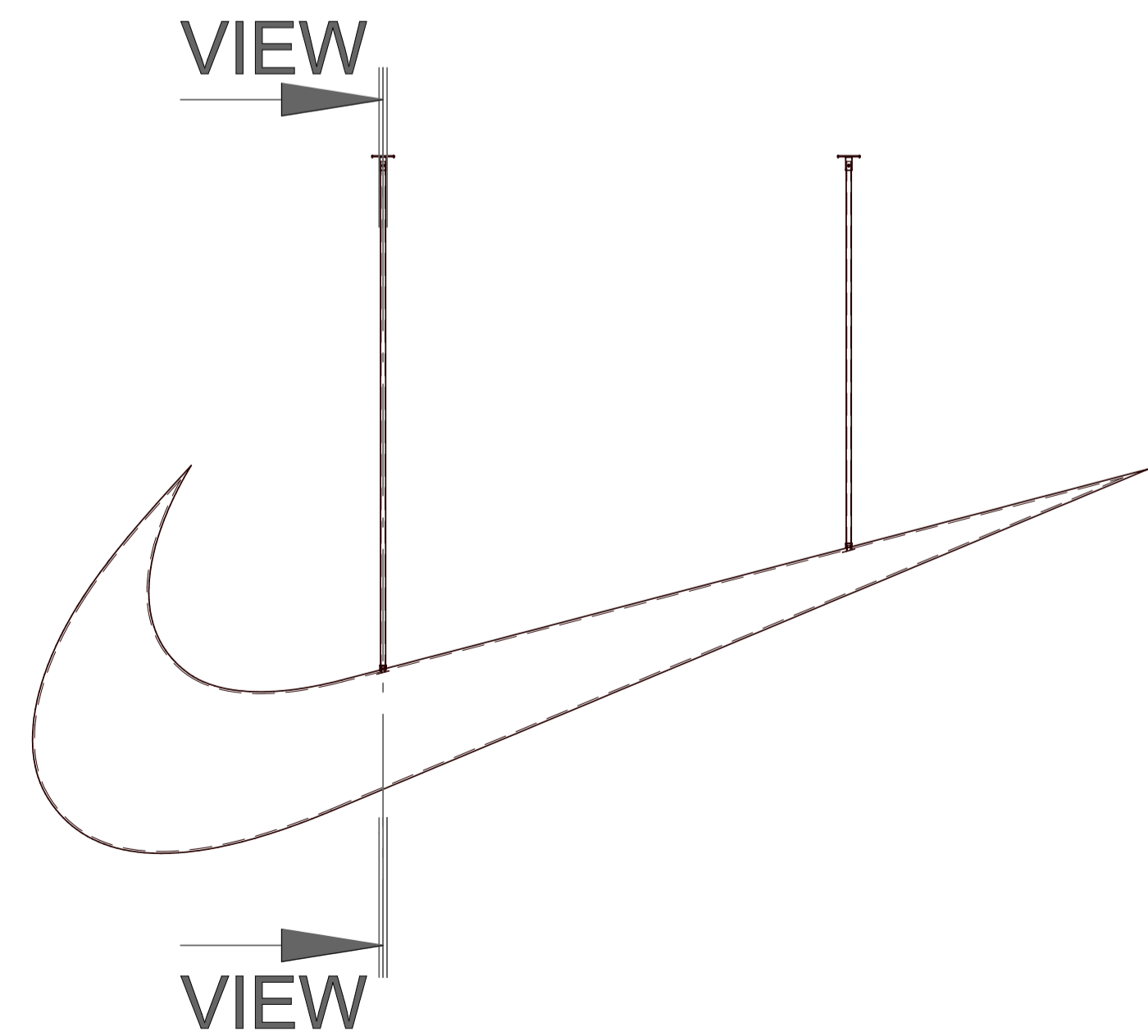
1 Ticker Mounted on Wall/Glass
SCALE 1:5



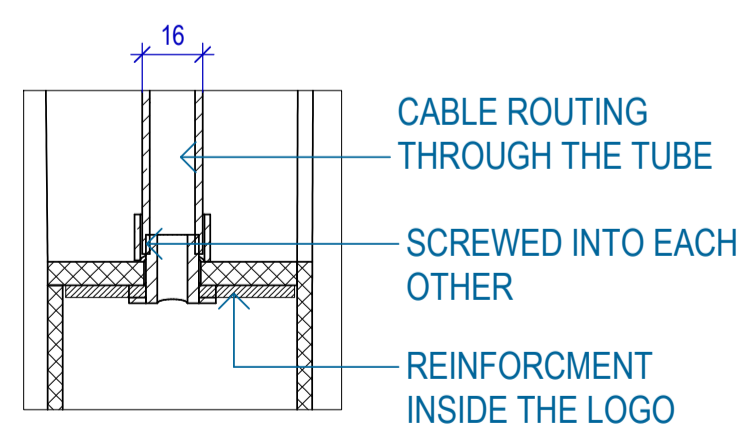
2 Ticker Mounted on Wall/Glass Detail
SCALE 1:2



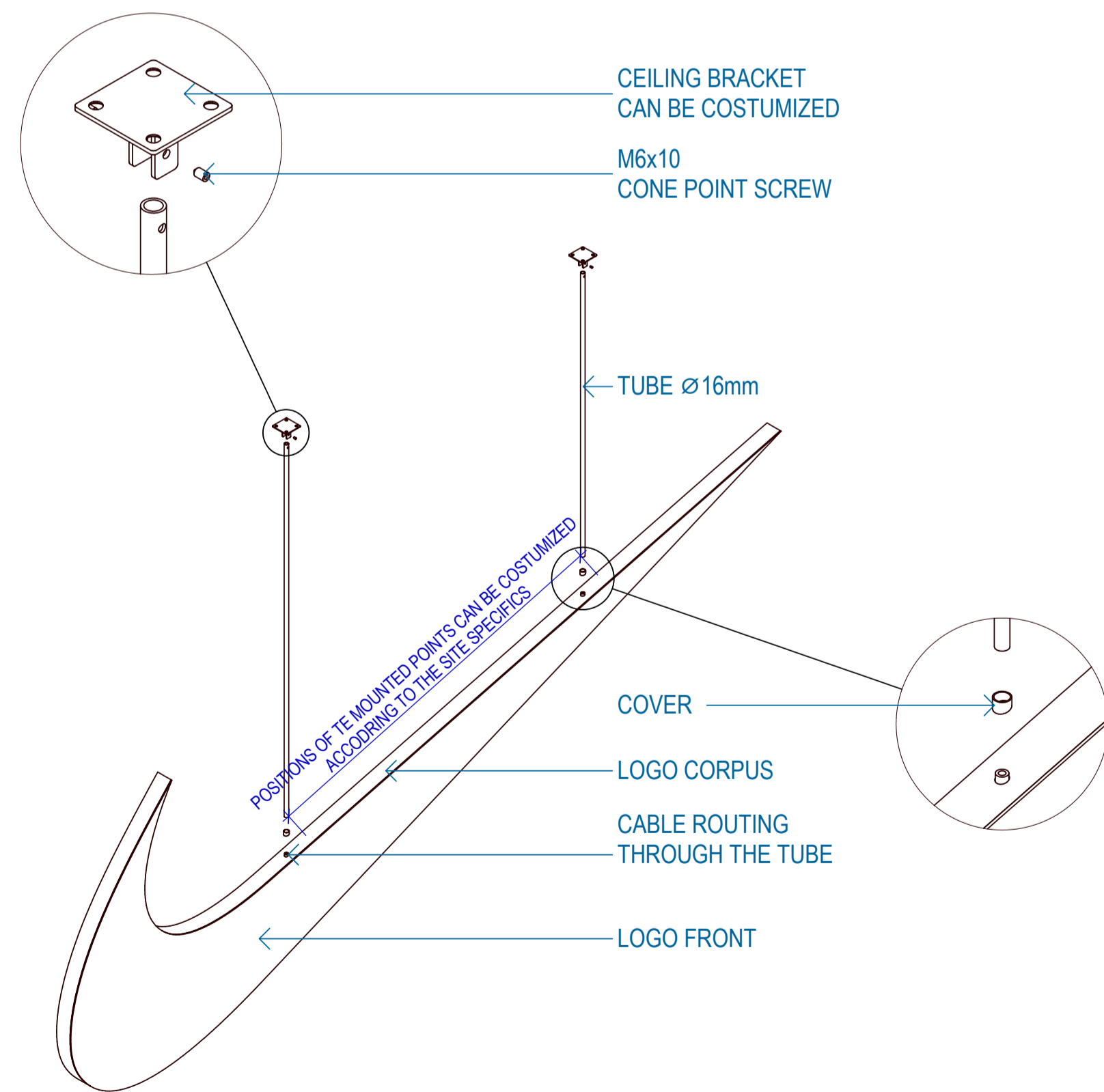
11 Ticker Mounted on Wall/Glass Detail
SCALE 1:10



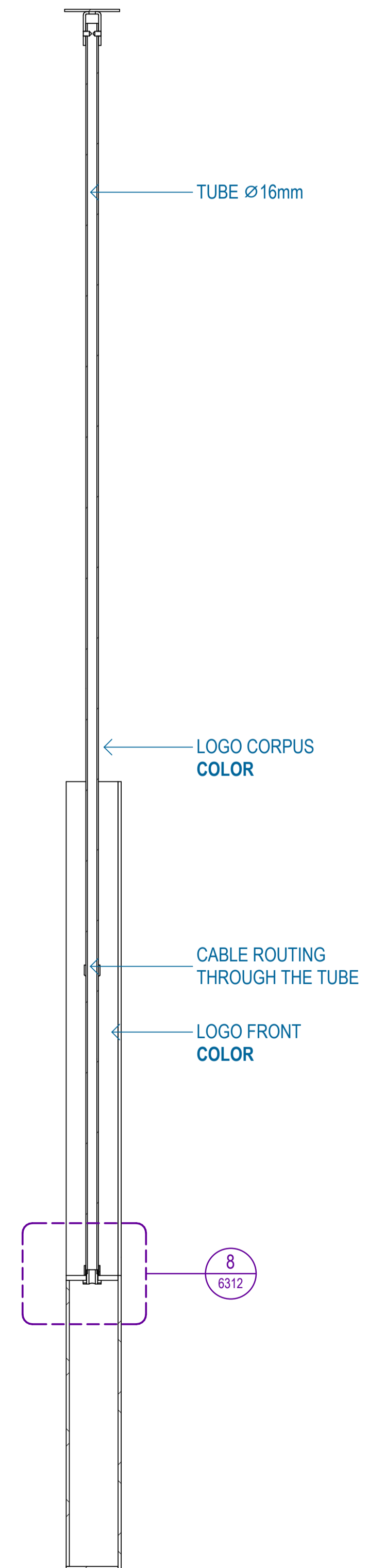
10 Ticker Suspended
SCALE 1:10



8 Ticker Suspended Detail
SCALE 1:2

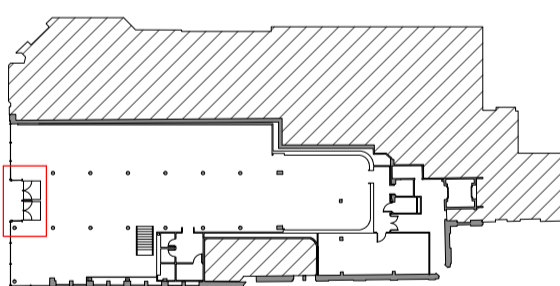


7 Ticker Suspended
SCALE 1:5



#	Status	Description	Date
A	For Review	STAGE 4 - 90%	29/09/23
B	For Tender	STAGE 4 - 100%	23/10/23
C	For Tender	STAGE 4 - Revision	03/11/23

Notes
Copyright © Woods Bagot 2018
All Rights Reserved
No material may be reproduced without prior permission
Contractor must verify all dimensions on site before commencing work or preparing shop drawings.
Do not scale drawings.



Project
NIKE GLASGOW

Client
NIKE

Issuer
W-B
WOODS BAGOT

Project number	Size check
441047	25mm
Checked GV	Approved AL
Sheet size A1	Scale As indicated

Sheet title

Signage Details - Proposed

Sheet number	Revision
A 6312	C
Status	
FOR TENDER	