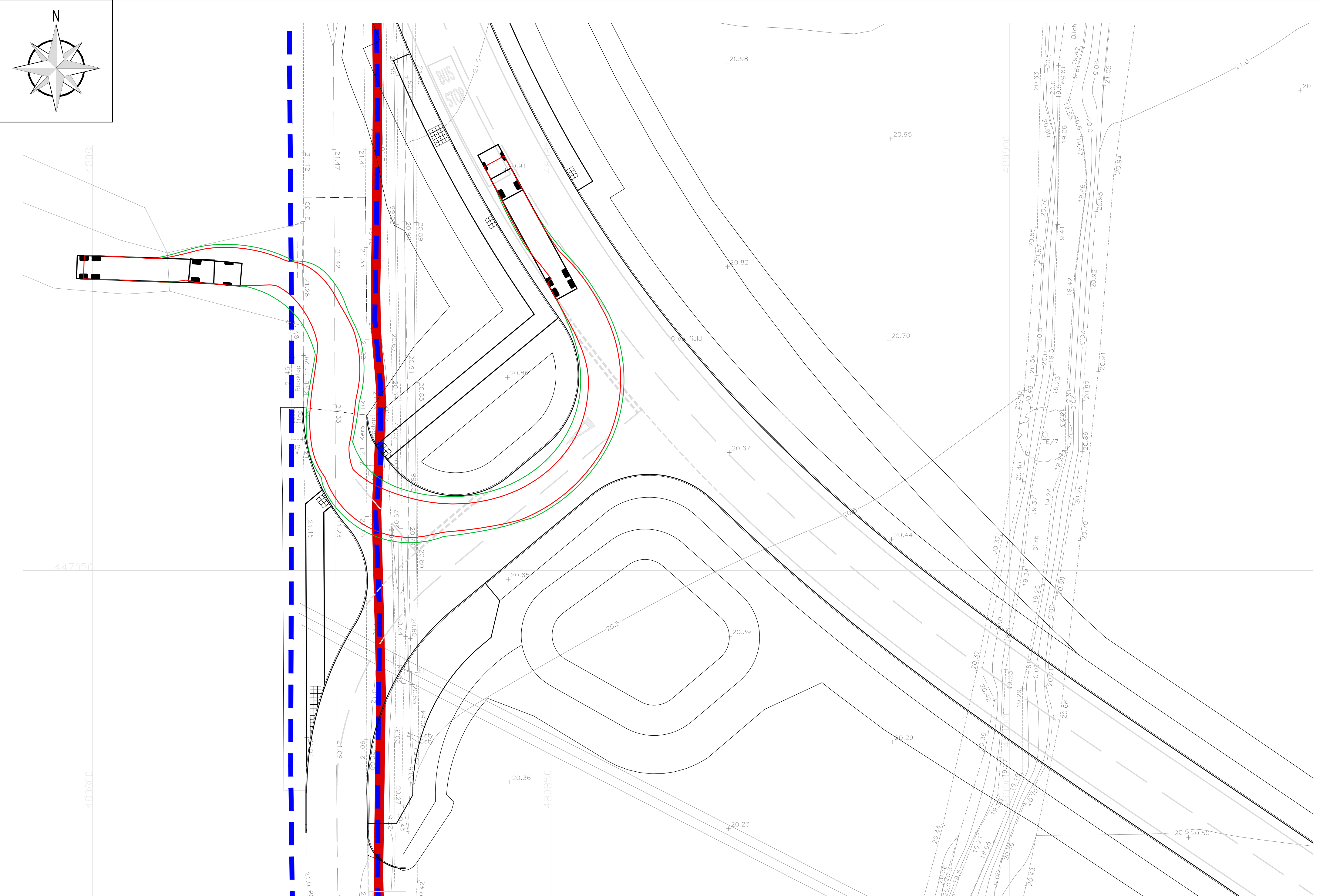
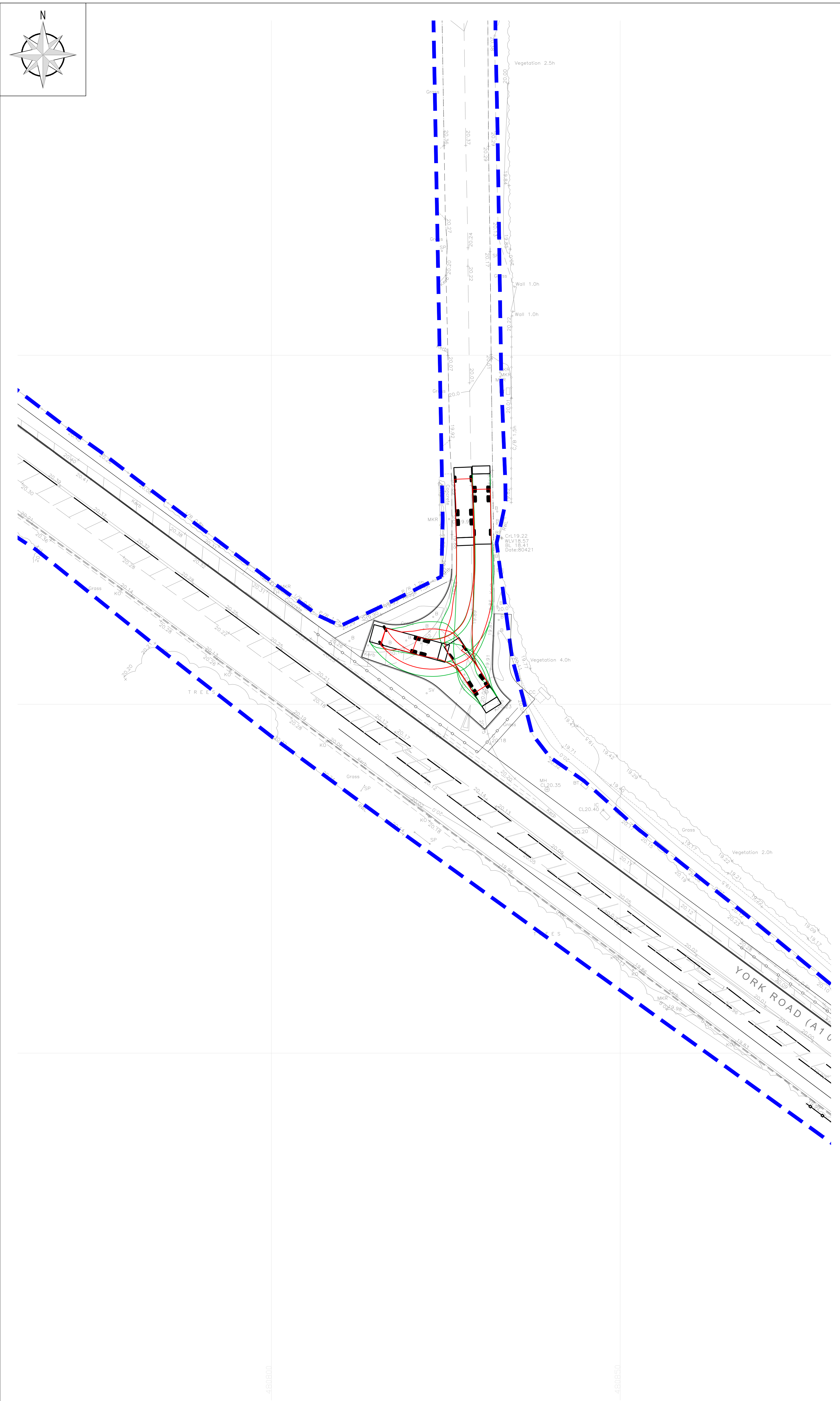


SWEPT PATH ANALYSIS DEMONSTRATING LARGE CAR TRANSPORTER ENTERING CARAVAN PARK



SWEPT PATH ANALYSIS DEMONSTRATING LARGE CAR TRANSPORTER EXISTING CARAVAN PARK

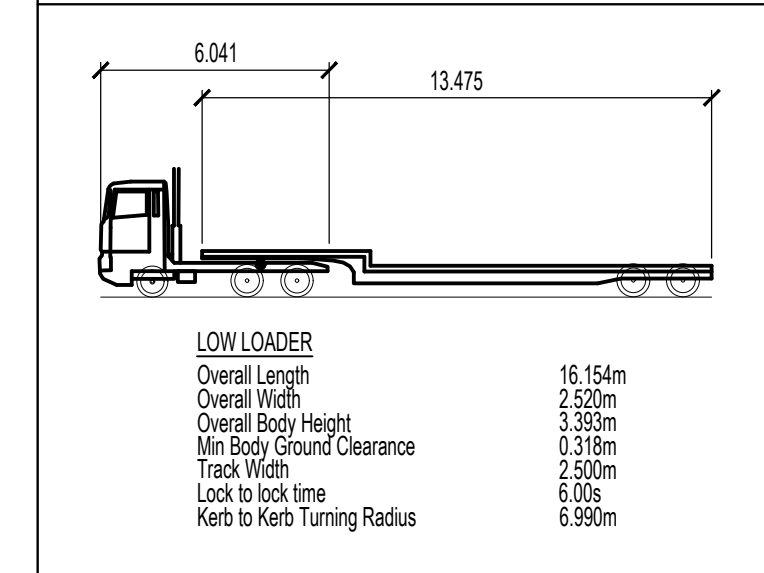
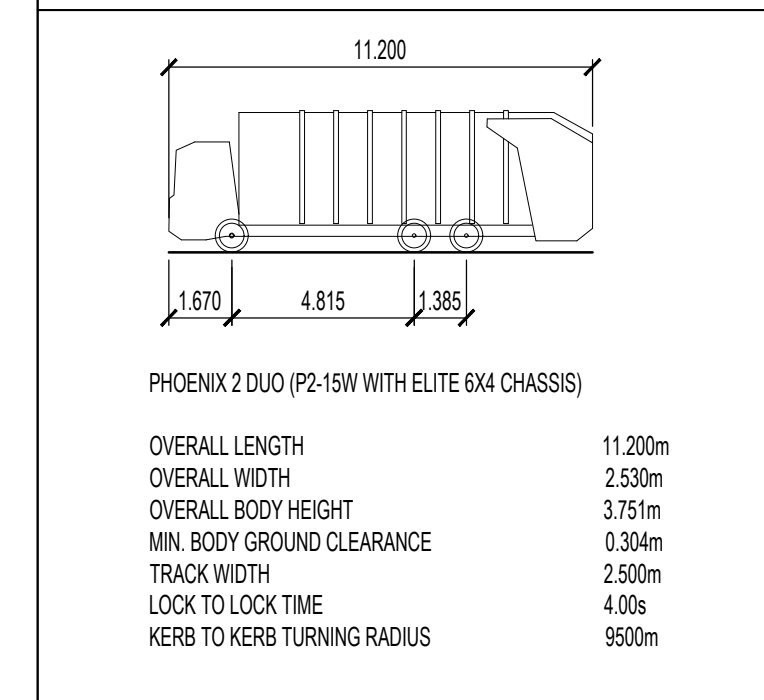


SWEPT PATH ANALYSIS DEMONSTRATING REFUSE LORRY UTILISING TURNING HEAD

- © Jackson Consulting Engineers Limited
- DO NOT SCALE THIS DRAWING. THE CONTRACTOR SHALL VERIFY ALL DIMENSIONS AND EXISTING CONDITIONS ON SITE PRIOR TO COMMENCING THE WORKS.
 - THIS DRAWING IS TO BE READ IN CONJUNCTION WITH ALL RELEVANT ARCHITECTS, ENGINEERS AND SPECIALISTS DRAWINGS AND SPECIFICATIONS.
 - ALL DIMENSIONS IN MILLIMETRES UNLESS NOTED OTHERWISE. ALL LEVELS IN METRES UNLESS NOTED OTHERWISE.
 - ANY DISCREPANCIES NOTED ON SITE ARE TO BE REPORTED TO THE ENGINEER IMMEDIATELY.
 - THIS DRAWING IS BASED ON TOPOGRAPHICAL SURVEY No. TOPO_02_ZD_REVISION A, DATED 06/04/16.

- CONTRACTUAL RESIDUAL CDM RISK**
- CROSS SITE SERVICES**
LOCATE, DEMARK AND PROTECT OR MAKE SAFE ALL EXISTING ON SITE / CROSS SITE SERVICES PRIOR TO THE COMMENCEMENT OF ANY WORKS.
- CLOSE PROXIMITY OF EXISTING HEDGEROW / TREES AND BUILDINGS**
ALL NECESSARY PRECAUTIONS TO BE TAKEN WHEN CRAWLING.
- EXISTING BUILDINGS**
CONTRACTOR TO NOTE CLOSE PROXIMITY OF ADJACENT BUILDINGS AND ENSURE THAT THE FOUNDATIONS ARE NOT SURCHARGED OR UNDERMINED.
- WORKS ADJACENT TO HIGHWAY**
CONTRACTOR TO GIVE CONSIDERATION TO THE CLOSURE OF THE FOOTPATH DURING WORKS IN CLOSE PROXIMITY TO IT TO ENSURE THE SAFETY OF THE GENERAL PUBLIC. APPROPRIATE MEASURES SHOULD ALSO BE TAKEN TO AVOID UNDERMINING EXISTING HIGHWAY AND FOOTPATH.
- LIVE ACCESS ROAD**
THE PROPOSED WORKS ARE TO BE UNDERTAKEN WHILE MAINTAINING TRAFFIC FLOW ALONG SPORNWELL ROAD. THE CONTRACTOR MUST PROVIDE PROTECTION TO PREVENT UNAUTHORISED ACCESS TO THE CONSTRUCTION AREA AND ENSURE A SAFE SEQUENCE OF WORKS AND WORKING METHODS ARE UTILISED THROUGHOUT THE CONSTRUCTION STAGE.
- OVERHEAD CABLES**
CONTRACTOR TO NOTE PRESENCE OF OVERHEAD CABLES WHEN OPERATING MACHINERY ON SITE.
- EXISTING WATERCOURSE**
CONTRACTOR TO ENSURE ALL SURFACE WATER RUN-OFF DURING CONSTRUCTION ACTIVITIES IS MANAGED TO ENSURE NO CONTAMINATION ENTERS WATERCOURSE.

THIS DRAWING IS SUBJECT TO APPROVAL BY EAST RIDING OF YORKSHIRE COUNCIL AND IS NOT TO BE USED FOR CONSTRUCTION UNTIL NOTED OTHERWISE



- KEY**
- SITE BOUNDARY
 - EXISTING HIGHWAY BOUNDARY INTERPOLATED FROM RECORDS

Rev.	Date	Revision Description	Drawn	Auth'd
A4-C04	31.03.23	UPDATED TO SUIT REVISED ALIGNMENT	MWh	MPW
A4-C03	28.11.22	UPDATED TO SUIT REVISED ALIGNMENT	MWh	MPW
A4-C02	27.10.22	UPDATED TO SUIT INITIAL COMMENTS	MWh	MPW
A4-C01	08.07.22	ISSUED FOR APPROVAL	MWh	MPW

Client: **BARRATT HOMES**

Project Title: **THE BALK, POCKLINGTON**

Description: **PROPOSED LINK ROAD AND 3-ARM ROUNDABOUT S278 AND S38 SWEPT PATH ANALYSIS SHEET 4**

Date	JUNE 2022	Drawn	MWh
Scale	1:50 (S&D)	Authorised	MPW
JL Ref	GL020073		

Project	002073	Org	JPL	ZZ	ZZ	DR	D	2194
Subsity	A4 - TECHNICAL DESIGN	Revision	C04					

