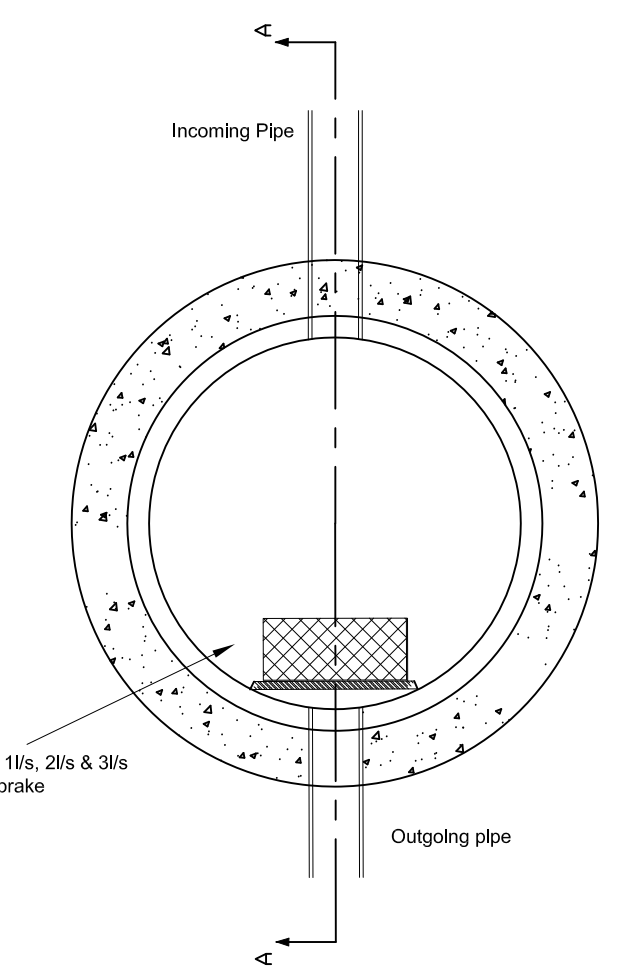
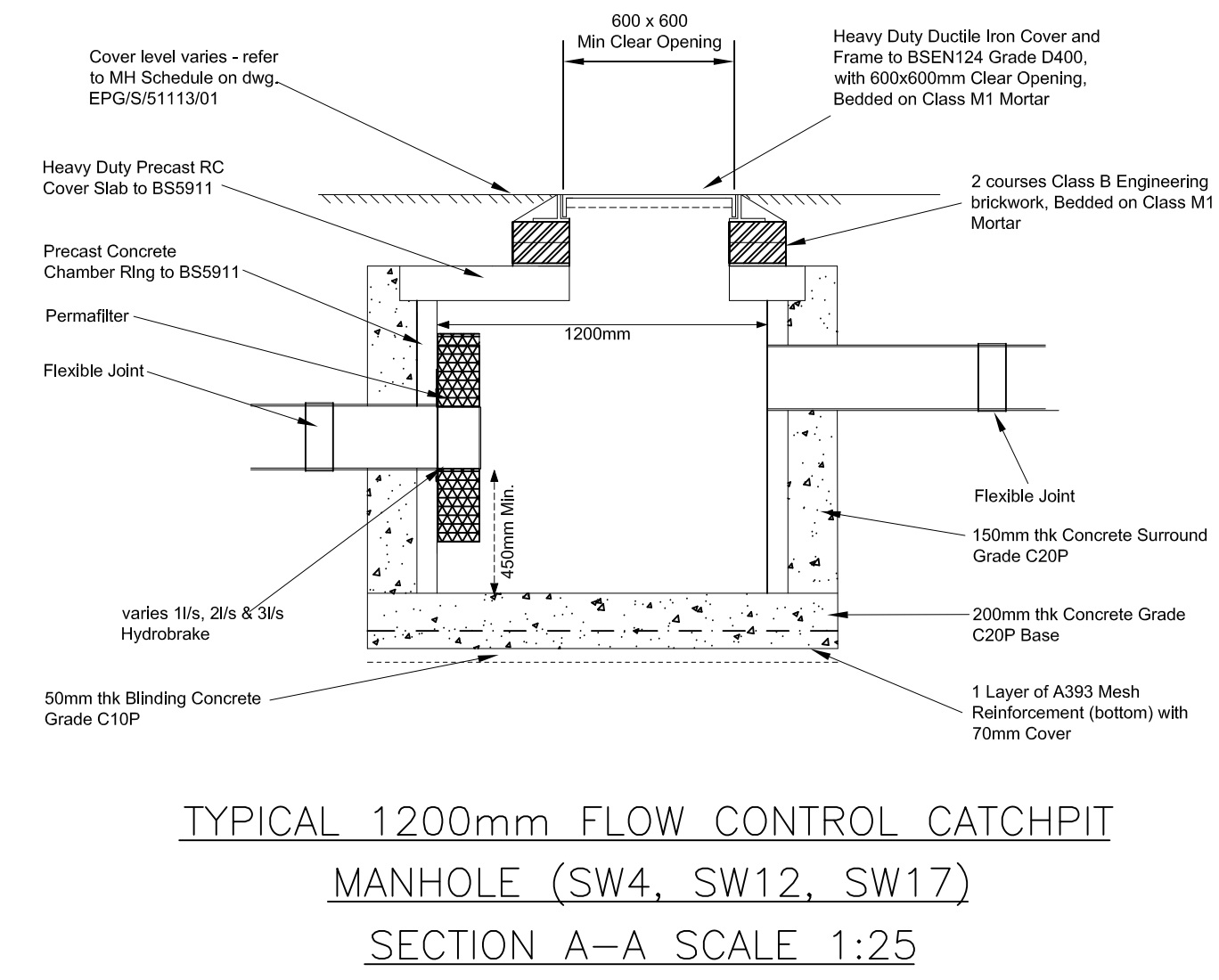


CRATE TANK - CROSS-SECTION (1:50)

Manhole Ref.	Pipe Outlet Size	Pipe Material	Cover level	Invert Level	Depth	Depth to soffit	Chamber Type	Chamber Size	Cover Type	Cover Size	Comments
FW1	100	polypipe	71.900	71.500	0.400	0.300	PPIC	450	A15	450	
FW2	100	polypipe	71.900	71.000	0.900	0.800	PPIC	450	A15	450	
FW3	100	polypipe	71.900	70.800	1.100	1.000	PPIC	450	D400	450	
FW4	100	polypipe	71.900	70.600	1.300	1.200	PPIC	450	D400	450	
FW5	100	polypipe	71.600	70.500	1.100	1.000	PPIC	450	D400	450	
FW6	100	polypipe	71.600	70.300	1.300	1.200	PPIC	450	A15	450	
FW7	100	polypipe	71.600	70.200	1.400	1.300	PPIC	450	A15	450	limited access
FW8	100	polypipe	70.400	69.200	1.200	1.100	PPIC	450	A15	450	
FW9	100	polypipe	69.000	68.000	1.000	0.900	PPIC	450	A15	450	
Manhole Ref.	Pipe Outlet Size	Pipe Material	Cover level	Invert Level	Depth	Depth to soffit	Chamber Type	Chamber Size	Cover Type	Cover Size	Comments
CW1	225	clay	68.700	67.650	1.050	0.825	PPIC	600	D400	600	
Manhole Ref.	Pipe Outlet Size	Pipe Material	Cover level	Invert Level	Depth	Depth to soffit	Chamber Type	Chamber Size	Cover Type	Cover Size	Comments
SW1	100	polypipe	71.900	71.300	0.600	0.500	PPIC	450	A15	450	
SW2	100	polypipe	71.900	71.100	0.800	0.700	PPIC	600	A15	600	
SW3	100	polypipe	71.900	71.100	0.800	0.700	PPIC	600	D400	600	
SW4	150	polypipe	71.900	70.500	1.400	1.250	CONC	1200	D400	600	1 1/2 hydrobrake
SW5	150	polypipe	71.900	70.400	1.500	1.350	PPIC	600	D400	600	limited access
SW6	100	polypipe	71.600	71.000	0.600	0.500	PPIC	450	A15	450	
SW7	150	polypipe	71.600	70.300	1.300	1.150	PPIC	450	D400	450	
SW8	150	polypipe	71.600	70.200	1.400	1.250	PPIC	450	D400	450	limited access
SW9	150	polypipe	71.100	69.700	1.400	1.250	PPIC	600	D400	600	limited access
SW10	100	polypipe	71.100	70.500	0.600	0.500	PPIC	450	A15	450	limited access
SW11	100	polypipe	71.100	69.700	1.400	1.300	PPIC	600	D400	600	limited access
SW12	150	polypipe	71.100	69.700	1.400	1.250	CONC	1200	D400	600	2 1/2 hydrobrake
SW13	150	polypipe	70.400	69.200	1.200	1.050	PPIC	450	A15	450	
SW14	150	polypipe	69.000	67.600	1.400	1.250	PPIC	600	D400	600	limited access
SW15	100	polypipe	69.000	68.400	0.600	0.500	PPIC	450	A15	450	
SW16	100	polypipe	69.000	67.600	1.400	1.300	PPIC	600	D400	600	limited access
SW17	150	polypipe	69.000	67.600	1.400	1.250	CONC	1200	D400	600	3/4 hydrobrake



TYPICAL 1200mm FLOW CONTROL CATCHPIT MANHOLE



TYPICAL 1200mm FLOW CONTROL CATCHPIT MANHOLE (SW4, SW12, SW17) SECTION A-A SCALE 1:25

- NOTES**
1. Driveway and car park surfacing design and construction to Engineer's Specification (by others).
 2. All dimensions are in millimetres unless otherwise stated.
 3. Pre-cast concrete products shall comply with the relevant provisions of BS 5911 and be 'Kite Marked'.
 4. Manhole covers and frames, grids and frames shall comply with the relevant provisions of BS EN 124. D400 class manhole cover to be used within trafficked areas. A15 class manhole cover to be used in untrafficked areas.
 5. Do not scale from this drawing. If in doubt ask.
- Discharge rate of 3l/s from site into existing combined sewer which runs through clients site. Discharge rate based on 1l/s per unit.
- Occupier should undertake inspection of control manhole SW4, SW12 & SW17 on a 2 monthly basis and clean when necessary.

- KEY:**
- Roofed & Paved Areas
Total impermeable roofed and paved area of 562m²
 - Roofed areas to sealed downpipes
 - SW PPIC Manhole 450mm dia
 - SW PPIC Manhole 600mm dia with 300mm deep sump
 - SW Control Manhole 1200mm dia with 300mm deep sump and various hydrobrakes
 - FW PPIC Manhole 450mm dia
 - Combined PPIC Manhole 450mm dia
 - Attenuation Tank 9m² by 0.8m deep to provide storage upto 100yr+CC40% storm
 - Indicative retaining wall locations
 - +70.40 Indicative Ground Levels

REV	DESCRIPTION	DATE
0	For Approval	24/02/23

EWE Associates Ltd
 EWE Associates Limited
 7 Waveney Close
 Burton Upon Stather
 Scunthorpe
 DN15 9DT
 Tel: 07875 972270
 Email: lea.favill@eweassociates.com

PROJECT Proposed Residential Extension Waipori Lodge Briggswath near Whitby

CLIENT Middleton

DRAWING TITLE Drainage Layout

SCALE 1:250 **DATE** 24/02/23

DRAWN BY LjF **CHECKED BY** JF **REVISION** 0

DRAWING No EWE/2922/02

The Hawthorn