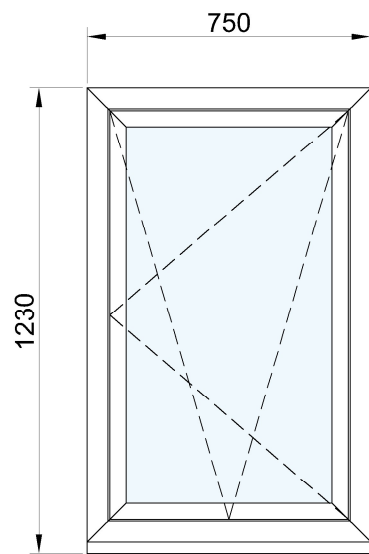
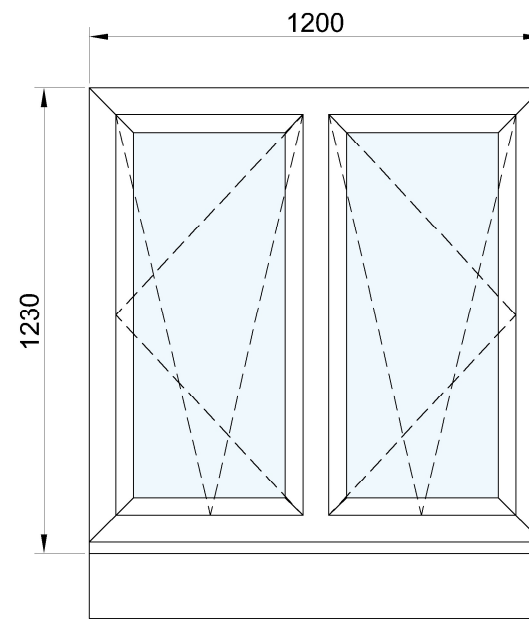


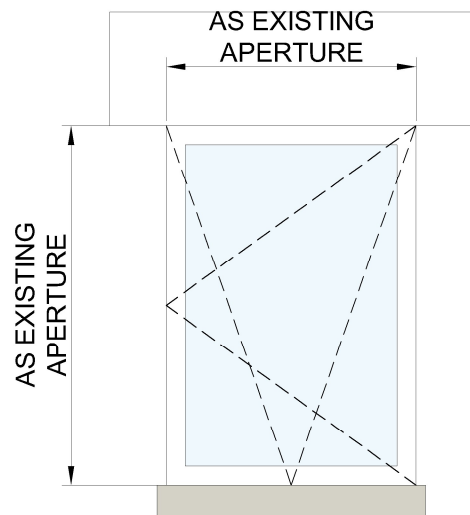
PROPOSED ARCH WINDOW
SCALE 1:20 @ A3



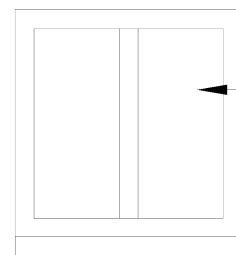
PROPOSED KITCHEN WINDOW
SCALE 1:20 @ A3



PROPOSED BEDROOM WINDOW
SCALE 1:20 @ A3

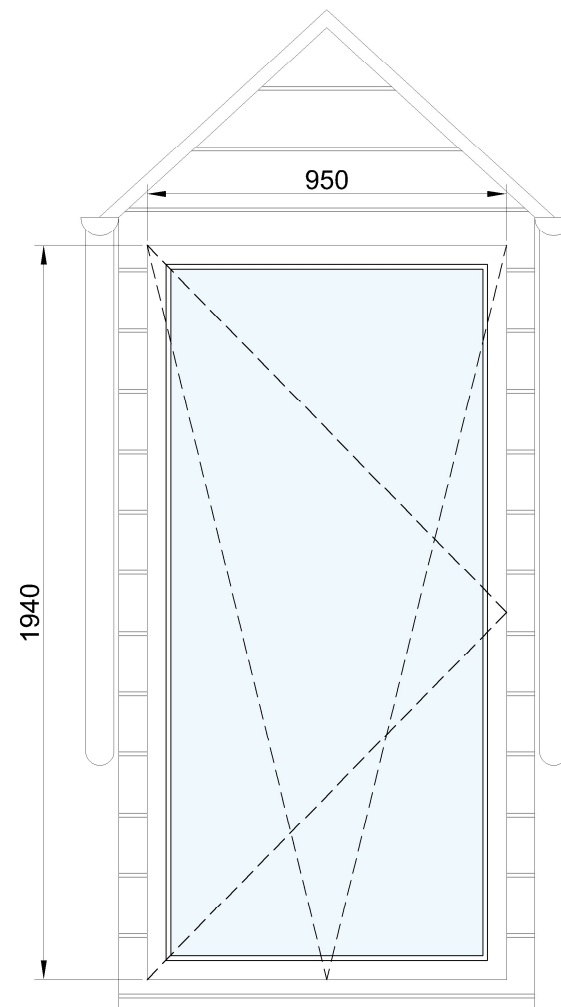


PROPOSED EN-SUITE WINDOW
SCALE 1:20 @ A3



EXISTING 3 NO. WINDOWS ABOVE ARCHWAYS TO BE INFILLED AND FRAME FORMED IN TIMBER TO MATCH EXISTING FRAME, COLOUR TO MATCH NEW GLAZING

PROPOSED INFILL OPENING WINDOW
SCALE 1:20 @ A3



PROPOSED DORMER WINDOW
SCALE 1:20 @ A3

© This drawing and the building works depicted are the copyright of Stuart King Architecture & Design Ltd. This drawing (or any part of it) may not be reproduced or amended, except without prior written permission by Stuart King Architecture & Design Ltd .
DO NOT SCALE THIS DRAWING FOR CONSTRUCTION PURPOSES - ALWAYS USE WRITTEN DIMENSIONS - ALL DIMENSIONS TO BE VERIFIED ON SITE

- NOTES**
1. ALL NEW GLAZING TO BE WHITE GRAIN TIMBER.
 2. ALL NEW GLAZING TO MEET MINIMUM RECOMMENDATION BY "SECURED BY DESIGN".
 3. ALL NEW GLAZING TO MEET MINIMUM U-VALUE AS PER TECHNICAL HANDBOOKS.
 4. ALL WORKS TO BE CARRIED OUT IN STRICT ACCORDANCE WITH THE TECHNICAL STANDARDS 2021 FOR COMPLIANCE WITH THE BUILDING.
 5. ALL DIMENSIONS TO BE CHECKED ON SITE PRIOR TO UNDERTAKING WORKS.

Amendments:

Rev:	Date:	By:	Details:
A	17.01.24	DL	uPVC MATERIAL REVISED TO TIMBER.

Development Site:
Devonside Farm, Archways

Client:
Mr Graeme Stewart

SK/AD[®]

• Abtel Building, Pitreavie Drive, KY11 8US • Tel: 01383 257022 • info@stuartkingarchitecture.com

SKAD Reference: 22-03455	Drawn By: DL	Checked By:
-----------------------------	-----------------	-------------

Scale: 1:20	Date: NOV 23	Size: A3
----------------	-----------------	-------------

Drawing Title:
Conversion of ruinous farm steading to dwelling

Title Sheet:
Proposed Window Elevations

DWG No: 23-03455 (2-) 21	Rev: A
-----------------------------	-----------