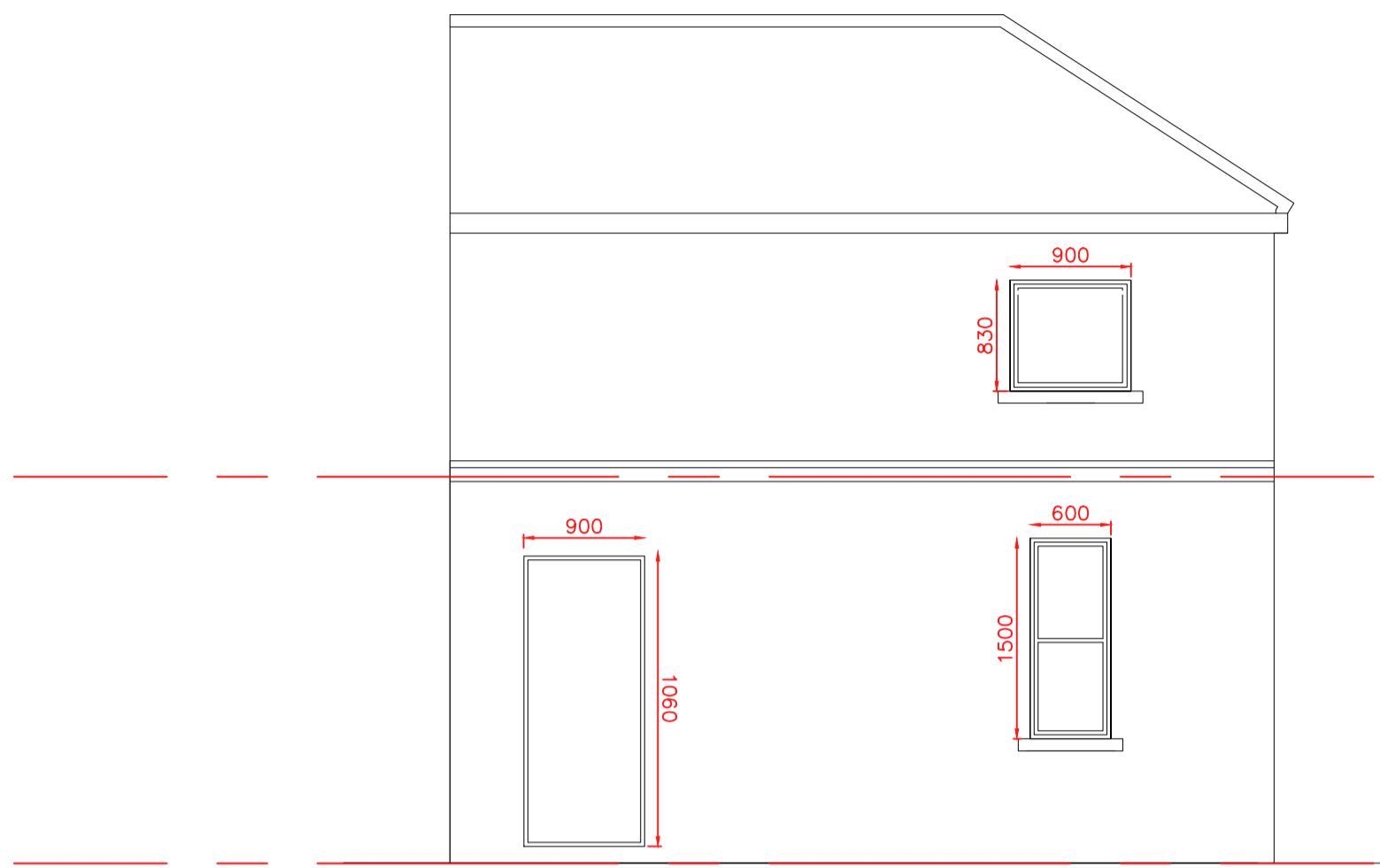


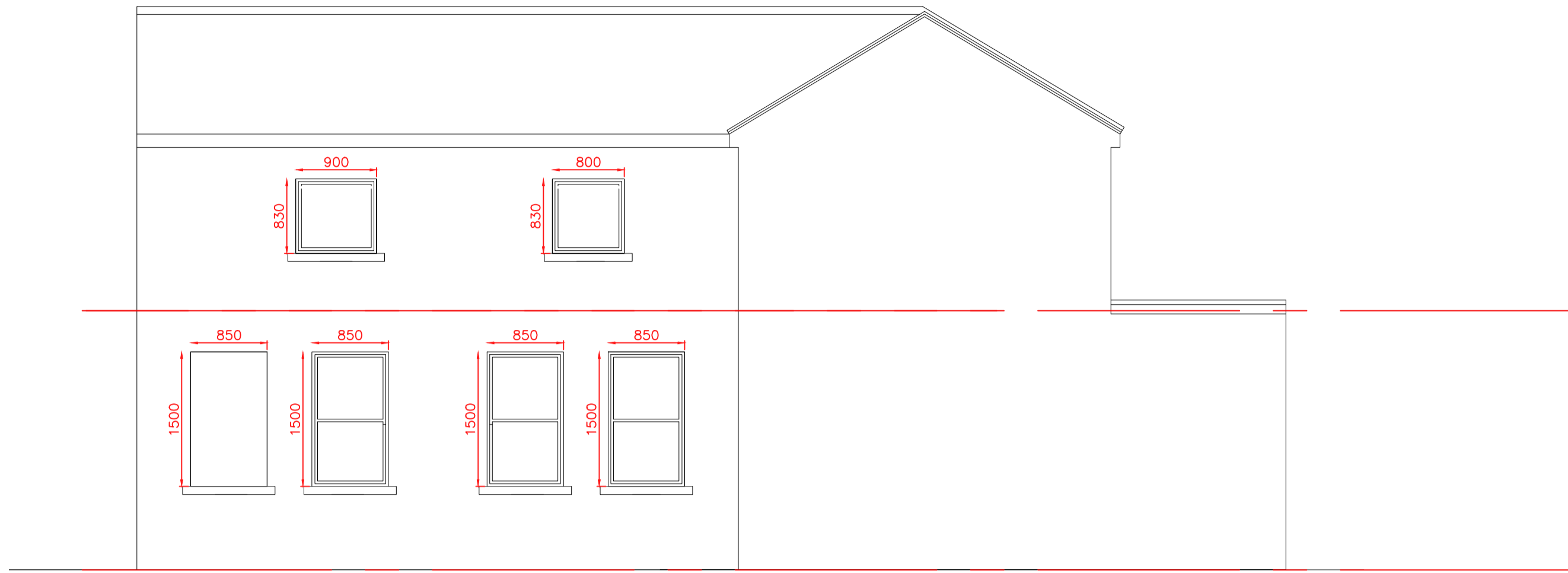
REFER TO DESIGN PACKAGE FOR ALL RELEVANT CONSTRUCTION NOTES.
 ALL NECESSARY TEMPORARY PROPPING TO FLOORS AND WALLS etc TO BE INSTALLED BY THE CONTRACTOR PRIOR TO REMOVAL OF ANY WALLS.
 ANY DISCREPANCIES AND / OR VARIATIONS TO THE STRUCTURE SHOWN ARE TO BE REPORTED TO THE DESIGNER.
 NO DIMENSIONS ARE TO BE SCALED FROM THIS DRAWING.



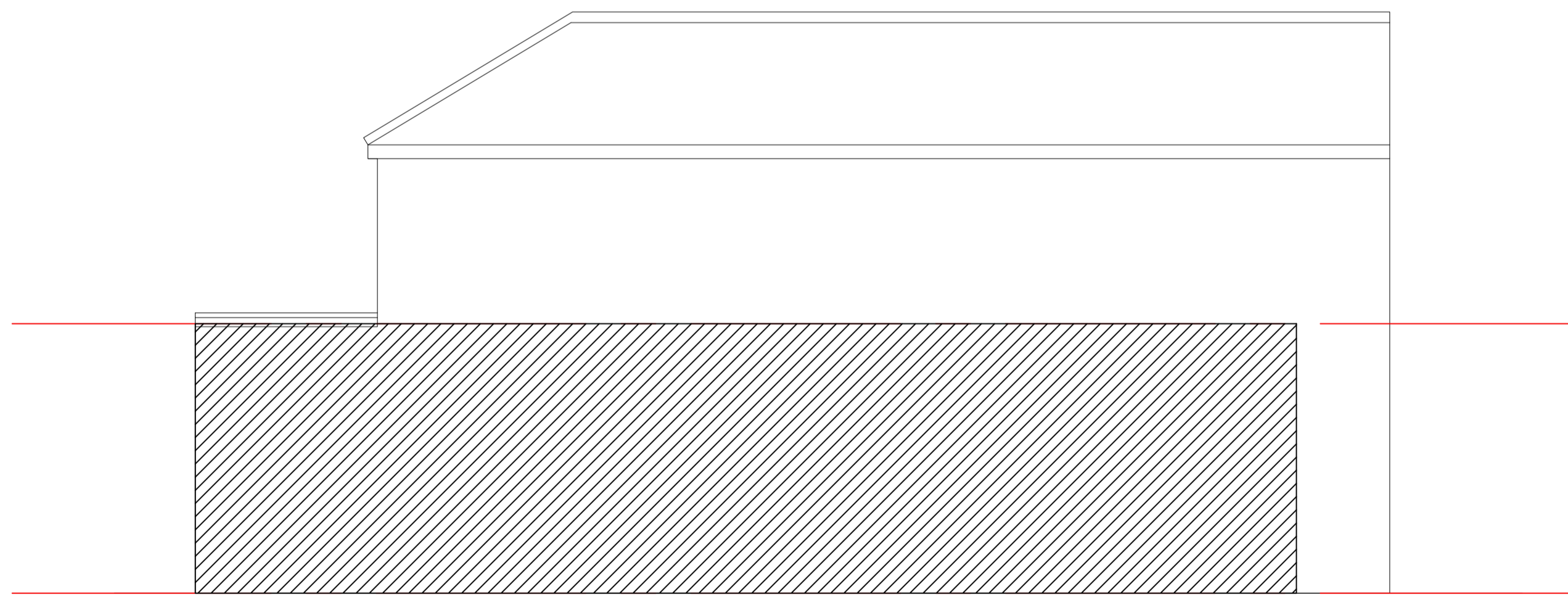
SITE PLAN



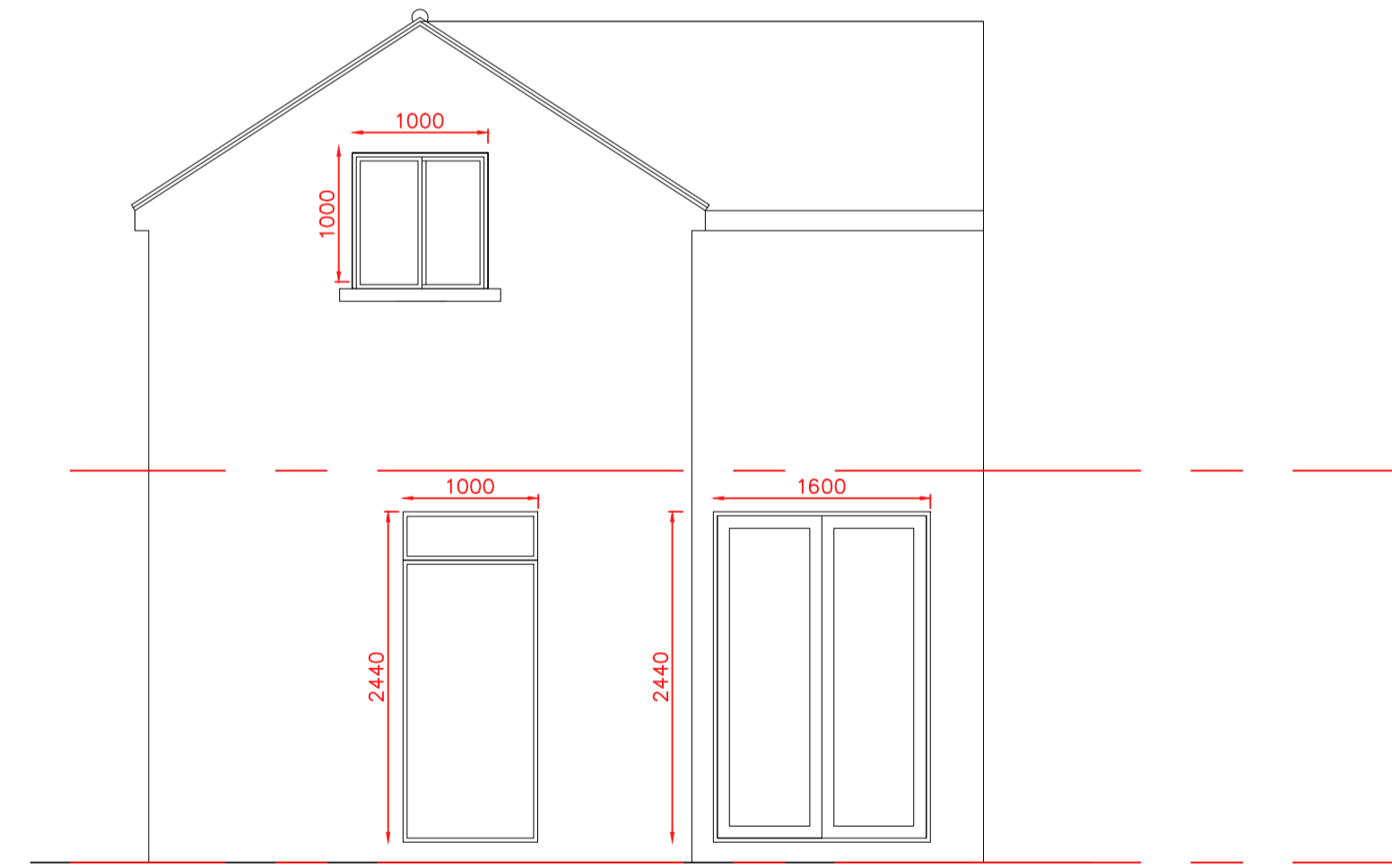
ELEVATION 1



ELEVATION 2



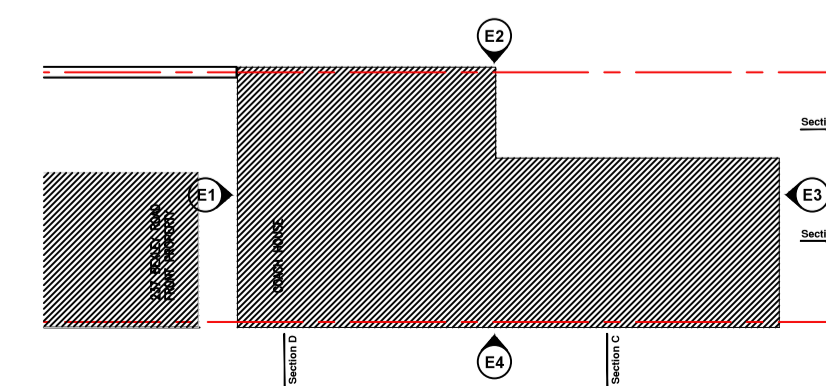
ELEVATION 4



ELEVATION 3



KEY



REV.	DATE	REVISION
D	5/10/23	Added Dimensions
C	1/10/23	THIRD ISSUE
B	25/09/23	SECOND ISSUE
A	12/08/23	FIRST ISSUE



Client		KT Frame	
Job		THE COACH HOUSE REAR OF 237 BEXLEY ROAD ERITH, KENT DA8 3EX	
Title		EXISTING ELEVATIONS	
Scale	1:50@A1	Drawn	SG
Date	AUG 2023	Checked	TD
Size	A1	Dwg. No.	2308-02-01
		Rev.	D