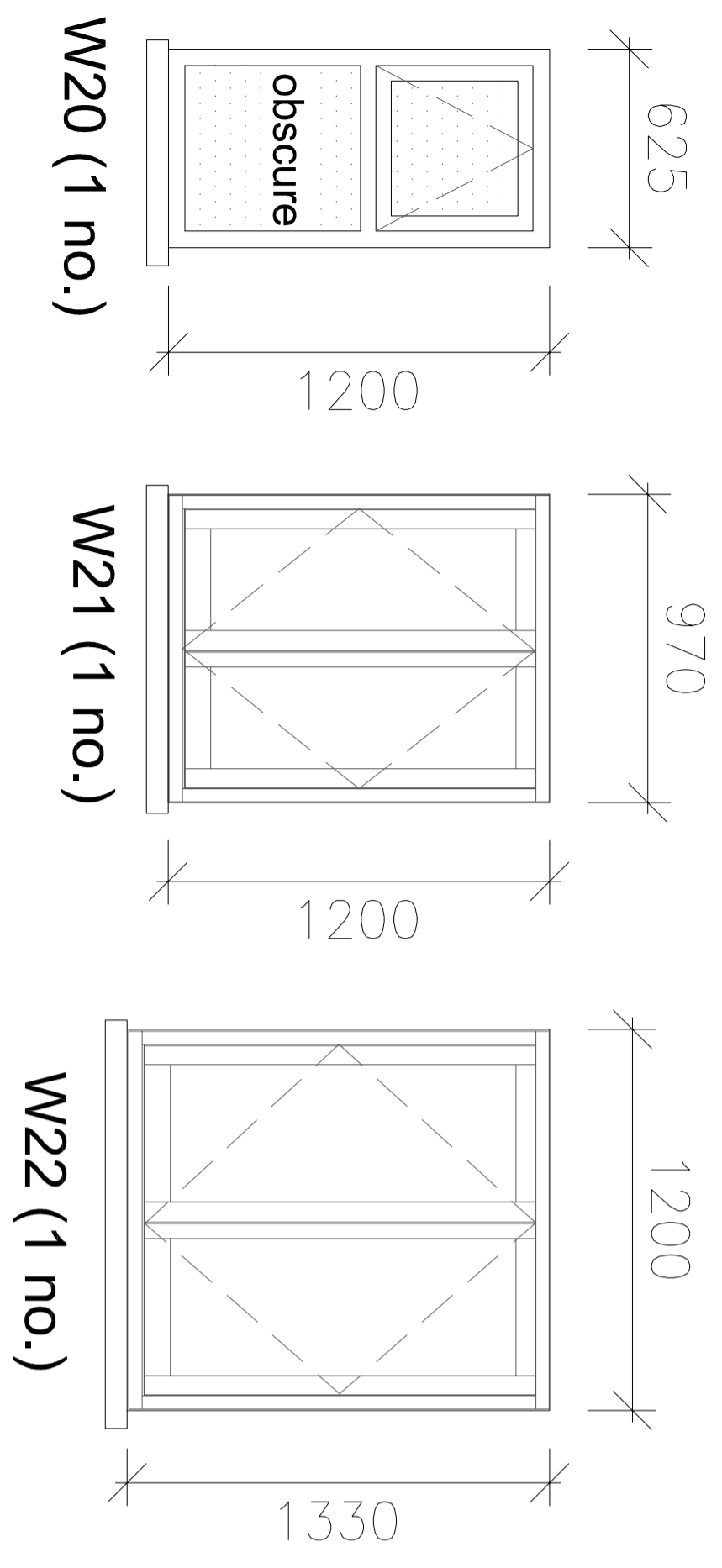


GENERAL NOTES:

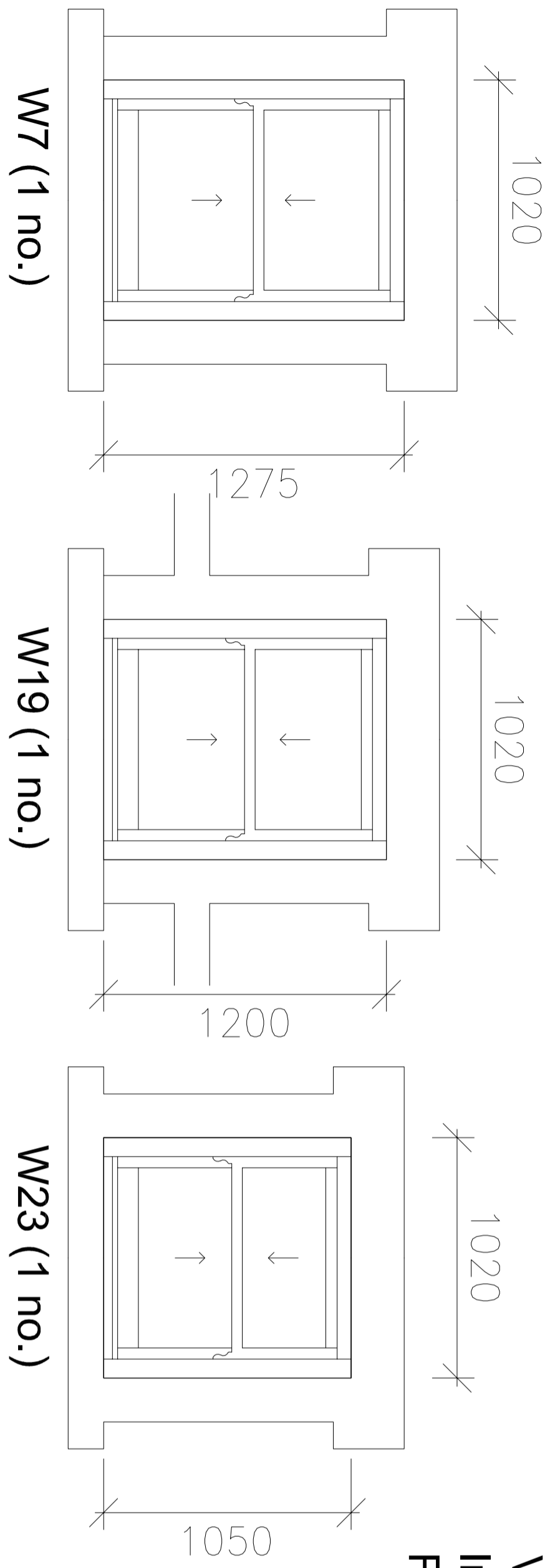
Written measurements given here are taken from the original design drawings and presented here for budget pricing purposes only. These dimensions should not be relied on for window & door manufacture. Exact site measurements must be taken before windows & doors are ordered.

Please refer to Drawing 08 for window references locations.

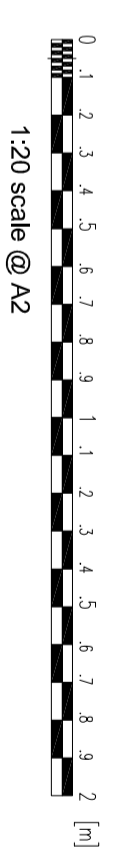
Please refer to drawing 11, Window & Door Details for detailed notes relating to this drawing and drawing 09



CASEMENT - Side Hung with central French Window mullion, except for W20, top-vent to WC.



VERTICAL SLIDING SASH
In existing openings facing into the Fordingbridge Conservation Area



Rev. Date: Details: Do not scale off this drawing. All Dimensions to be checked on site by the contractor.			
PLANNING			
<i>Architectural & Design Development</i>			
23 The Glen Road 7 Ashot Park Barnstaple Dorset BH9 2LS			
Tel:01202 - 527426 Mobile:0781 1282136 Email : architecturaldesign_05@yahoo.co.uk			
Client: Horris Development's Ltd, 8 Needs Corner, 2 Bath Road, Hounslow, TW3 3HJ			
Project: 1 Bridge Street, Fordingbridge, Hampshire SP6 1AH			
Dwg Title:	Job No.		
Window & Door Elevations As Proposed in Timber SHEET 2 of 2	A/535 Dwg No.		
Scale:	Date:	Drawn:	PN
1:20 @ A2	Nov 2023		