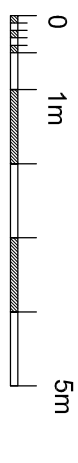


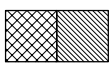
N O T E S

ALL DIMENSIONS ARE IN MILLIMETERS

THIS DRAWING IS THE COPYRIGHT OF TOLEMAN ASSOCIATES AND SHALL NOT BE IN ANY WAY USED OR REPRODUCED WITHOUT THEIR PRIOR WRITTEN CONSENT

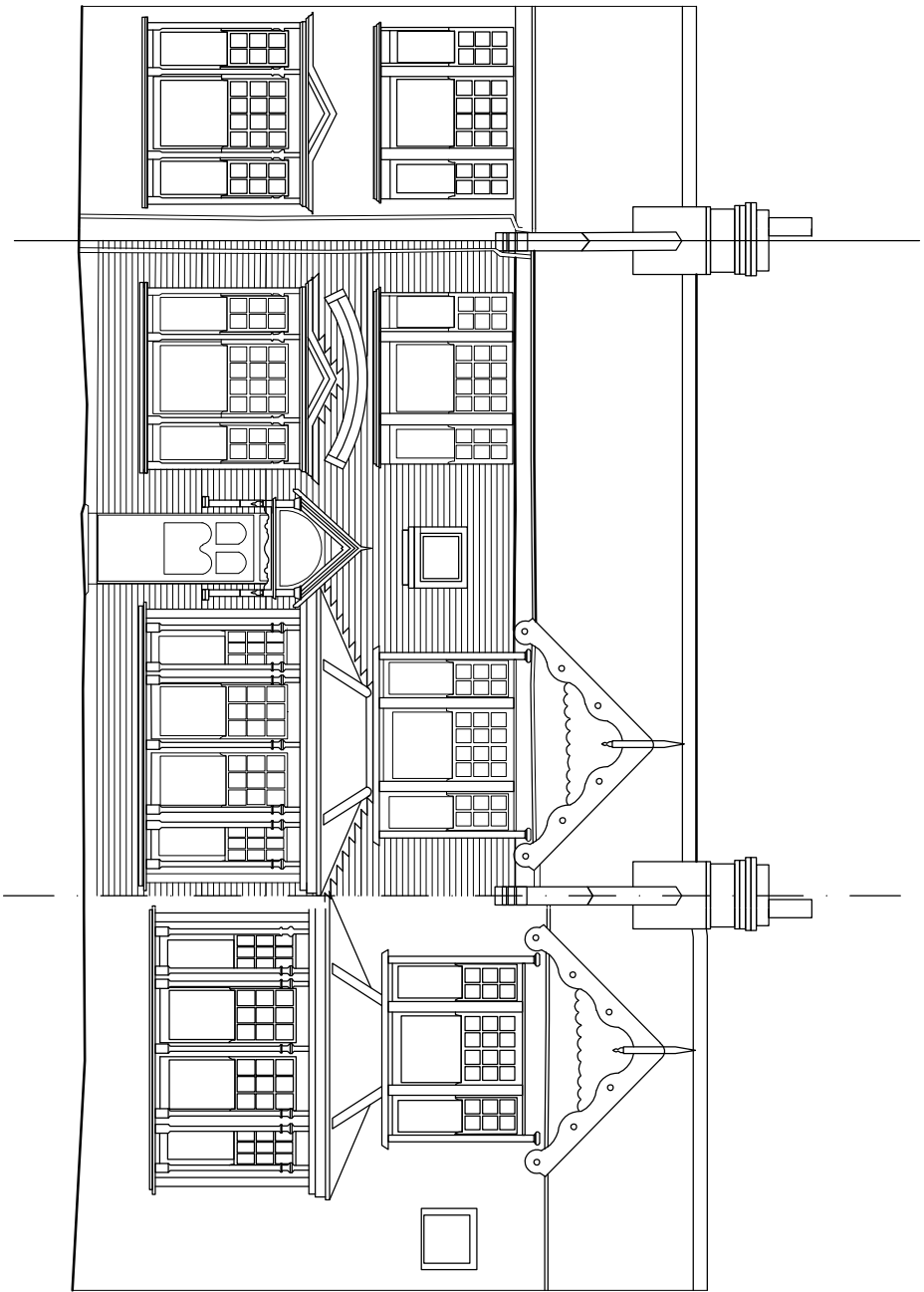


Scale

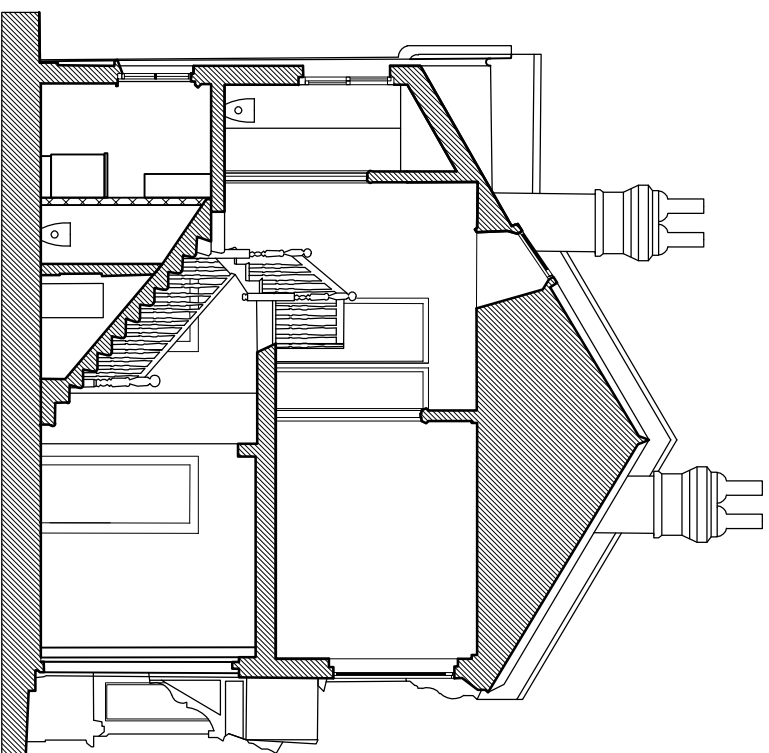


Existing building

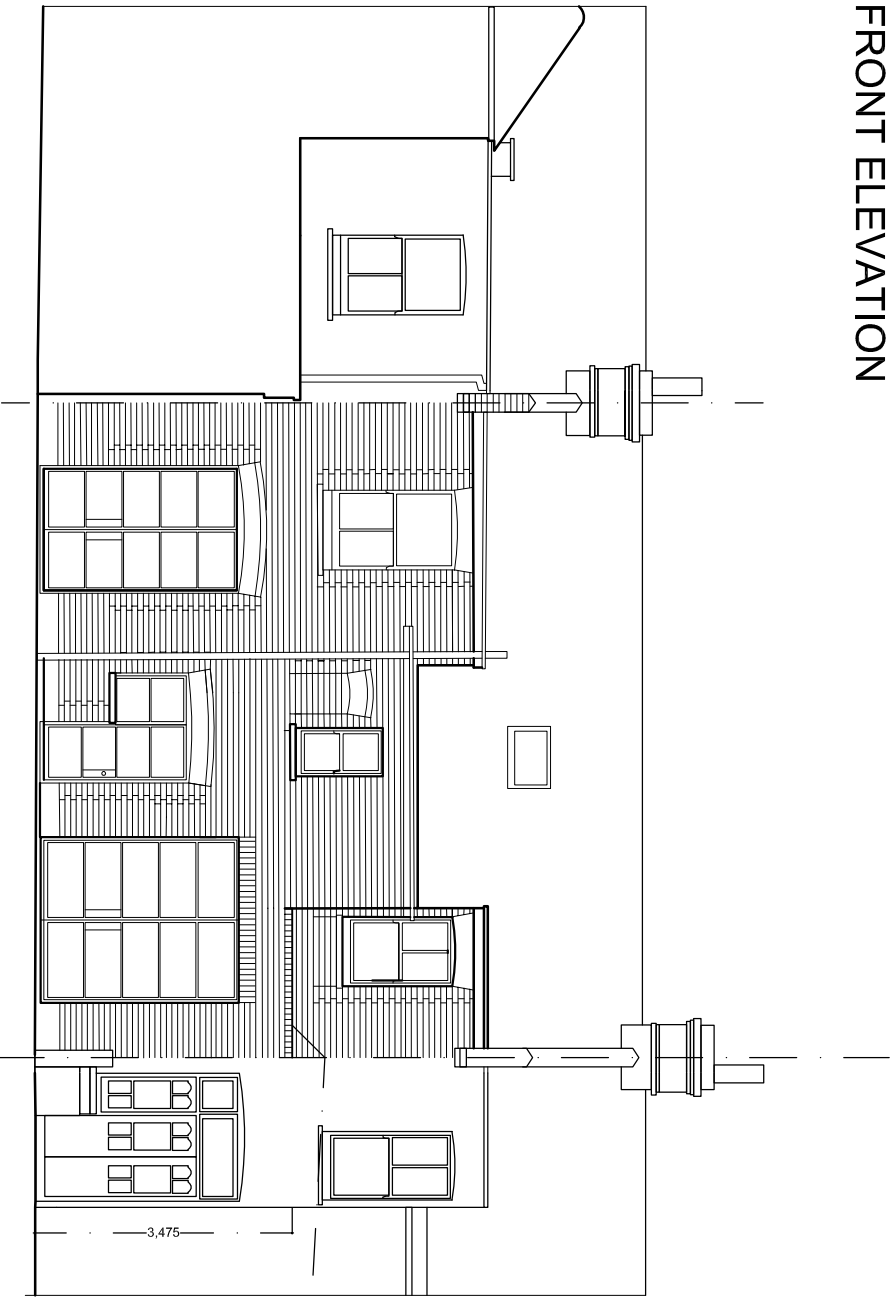
Demolition



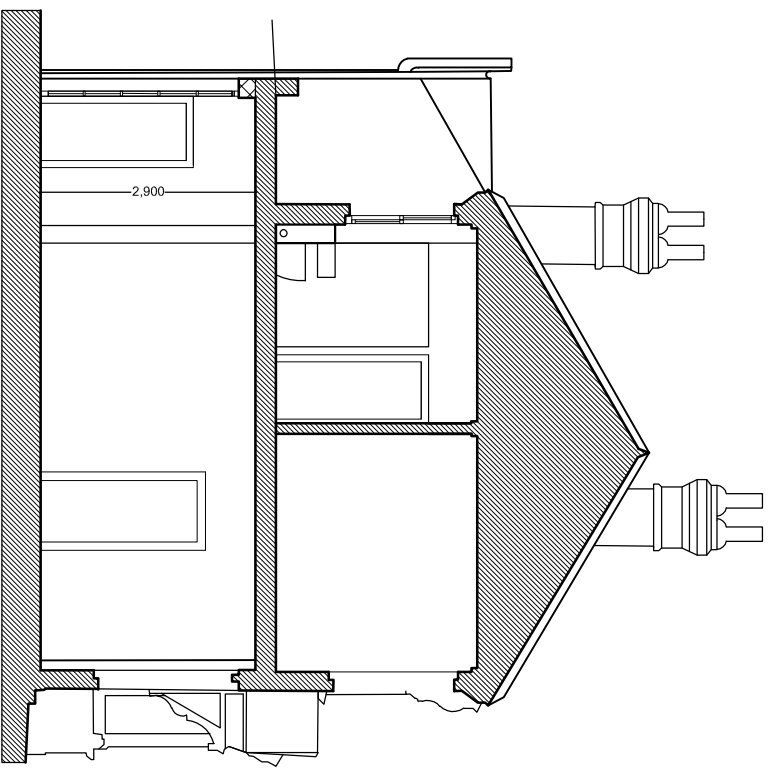
FRONT ELEVATION



SECTION A A



REAR ELEVATION



SECTION B B

Flat roof to new extension at 1st floor.

3,475

2,900

PLANNING

TOLEMAN ASSOCIATES

Architects and Interior Designers
 RENNIE HOUSE, Torrington Mews, LONDON, NW5 2RZ
 Tel: 0207 284 3774 Fax 02072677698
 E-mail: Architecture@toleman.net

Job
 4 DUKE AVENUE,
 LONDON N3 2DD

Title
 PROPOSED ELEVATIONS
 & SECTION

Date NOV 23	Scale 1:100 @A3	Dwg No. 2315 /13	Rev. A
----------------	--------------------	---------------------	-----------