

SAVE VTR 150/B L 500W

Article Number: 488821

Variant : Pleated Filters Standard kit



Description

Filter kits:

145777 PF STD kit (F7/ePM1 60% supply and M5/ePM10 50% extract)

145920 PF OPT kit 1 (accessory) (F8/ePM1 70% supply and M5/ePM10 50% extract)

153439 BF OPT kit 2 (accessory) (F7/ePM1 60% supply and M5/ePM10 60% extract)

Main features:

- High energy-efficiency rotary heat exchanger with EC technology fans
- Demand control regulation with the built-in humidity sensor
- Moisture transfer function to minimize condensation in supply air during wintertime
- Multiple control options to choose from
- Connection board for easy access and connection of accessories
- Modbus communication RS-485 as standard
- Eurovent Certification

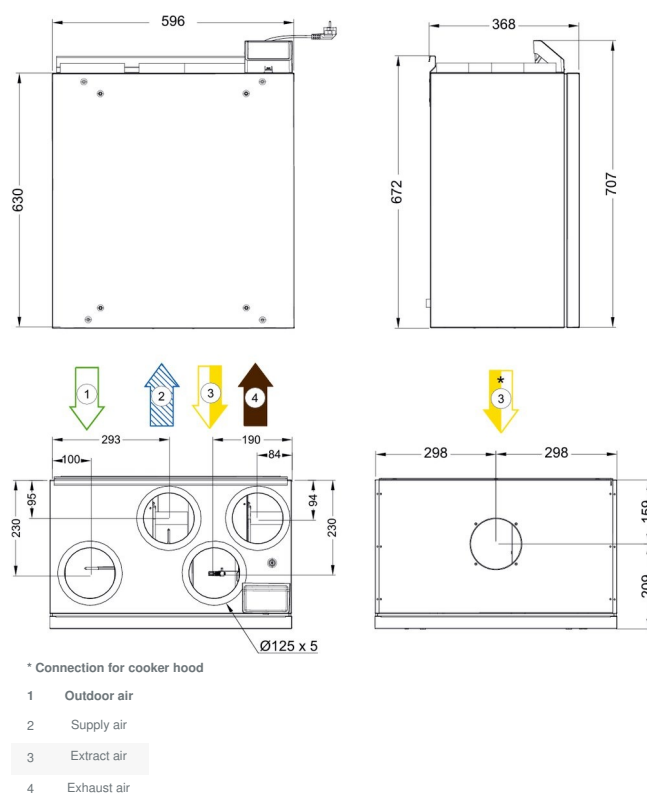
SAVE VTR 150/B is adapted for...

[Find more details in our online catalogue](#)

Technical parameters

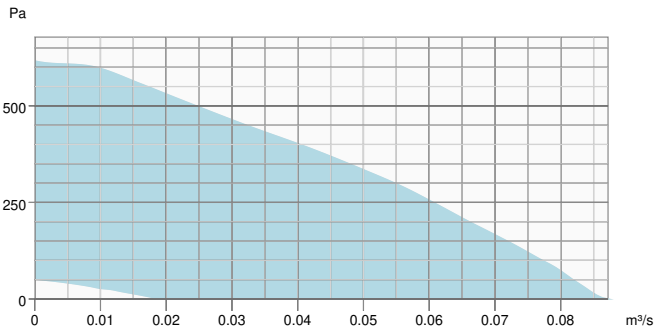
| Unit | |
|---------------------------------|--------------------------|
| Frequency | 50 Hz |
| Voltage (nominal) | 230 V |
| Phases | 1~ |
| Recommended fuse | 10 A |
| Enclosure class | IP24 |
| Speed regulation | Stepless |
| Air flow | 0.0417 m ³ /s |
| Product type | Heat recovery unit |
| Preheater / Reheater | |
| Input power, reheater | 0.5 kW |
| Supply fan | |
| Input power (P1), supply fan | 83 W |
| Supply air filter | |
| Filter class, supply air | ePM1 60% |
| Extract air filter | |
| Filter class, extract air | ePM10 50% |
| Exchanger | |
| Heat exchanger rotor drive type | Variable speed |
| Heat exchanger | Rotating |
| Return fan / Extract fan | |
| Input power, extract fan | 83 W |
| Others | |
| Size | 150 |
| Fan control | Stepless voltage control |
| Installation type | Vertical |
| Supply side | Left |

Dimension

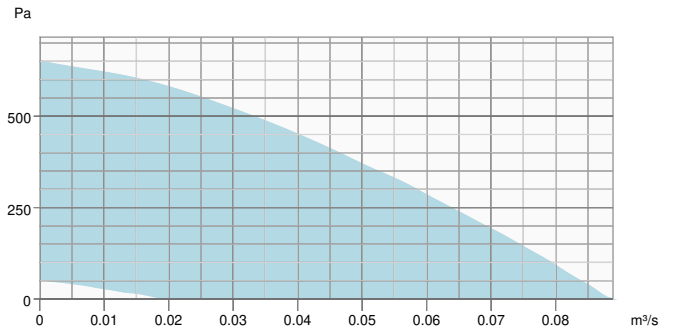


| Color casing | |
|----------------------------|------------------|
| Color casing | Galvanized steel |
| Dimensions and weights | |
| Weight | 46 kg |
| ErP | |
| Energy class, Basic unit | B |
| Energy class, Local demand | A |
| ErP ready | ErP 2018 |

Supply - Performance curve



Extract - Performance curve



| Unit | Supply | Extract |
|---|-------------|---------|
| Required air flow | - | - |
| Working air flow | - | - |
| Required external pressure | - | - |
| Working air pressure | - | - |
| Power | - | - |
| Fan control - RPM | - | - |
| Recommended Low - RPM | - | - |
| Recommended High - RPM | - | - |
| Fan control - % | - | - |
| Recommended Low - % | - | - |
| Recommended High - % | - | - |
| Air density | 1.204 kg/m³ | |
| SFP | - | |
| Supply air temperature | -20.0 °C | |
| Sound pressure level (reverberant field) | | Total |
| Heat recovery | Supply | Extract |
| Inlet air temperature | - | - |
| Outlet air temperature | - | - |
| Inlet air humidity | - | - |
| Outlet air humidity | - | - |
| Condensate | - | |
| Transferred power | - | |
| Temperature efficiency unit (EN 13141-7) | - | |
| Temperature efficiency component (EN 308) | - | |
| Humidity efficiency | - | |
| Exchanger type | - | |

Accessories

SAVE LIGHT Black (319119)
SAVE TOUCH Black (138078)
CB heater connection kit 1 - (142852)
PSS20 Transformer 24V (202692)
Systemair-E CO2 sensor (14904)
VBC 125-3 Water heating batt (9839)
CB 125-1,2 230V/1 Duct heater (5290)
CEC Cable w/plug 12m (24782)
CEC Cable w/plug 6m (24783)
FK 125 Fast clamp (1608)
LDC 125-900 Silencer (5191)
251-10/B Cookerhood Stainless (96699)
392-10/B Slimline White (77265)
CVVX 125 Combi grille, white (26422)
Duct cover W VTR 150/B (319090)
SPI-125 C Iris damper (6751)
TUNE-R-125-3-M2 (311948)
TUNE-R-125-3-M5 (311978)
ZTR 15-0,6 valve 3-way (6573)
ZTV 15-0,6 2-way valve (6571)

SAVE LIGHT White (319118)
SAVE TOUCH White (138077)
Presence detector/IR24-P (6995)
SAVE Wall Mounted Kit (140736)
VAV/CAV conversion kit (140777)
CB 125-0,6 230V/1 Duct heater (5289)
CB 125-1,8 230V/1 Duct heater (5377)
CEC Cable w/plug 15m (306594)
CWK 125-3-2,5 Duct cooler,circ (30021)
LDC 125-600 Silencer (5190)
VBC 125-2 Water heating batt (5457)
251-10/B Cookerhood White (96698)
CVVX 125 Combi grille, black (26421)
Duct cover SS VTR 150 (19567)
RVAZ4 24A Actuator 0-10V (9862)
TUNE-R-125-3-M1 (311938)
TUNE-R-125-3-M4 (311968)
ZTR 15-0,4 valve 3-way (9670)
ZTV 15-0,4 2-way valve (9829)

Documents

Control_panel_mounting_guide_v4.pdf
SAVE Energy label placement A003.pdf
SAVE_MODBUS_VARIABLE_LIST_20210301_REV36.PDF
SAVE_VTR_150B_INSTALLATION_EN_V01_20210316.PDF
SAVE_VTR_150B_SERVICE_AND_ACCESSORIES_INSTALLATION_EN_V01_20210316.PDF
SAVE_VTR_150B_USER_MANUAL_EN_V01_20210316.PDF
SYSTEMAIR_SAVE_VTR_150B_DISASSEMBLY_GUIDE_EN_SE_DE_NO_FI_20181207.PDF
96155_SAVE_VTR150_B_L.dxf
Eurovent Certification Diploma 2022030.pdf
SAVE_Commissioning_record_EN_v02_20191107.pdf
SAVE Technical fiche.pdf
SAVE_VTR_150_SCHEMA.PDF
UK_declaration_of_conformity
WD_VTR_150B_MUL_20210315_073832103.PDF