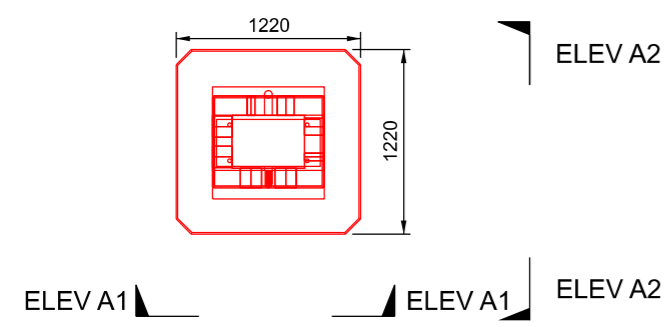
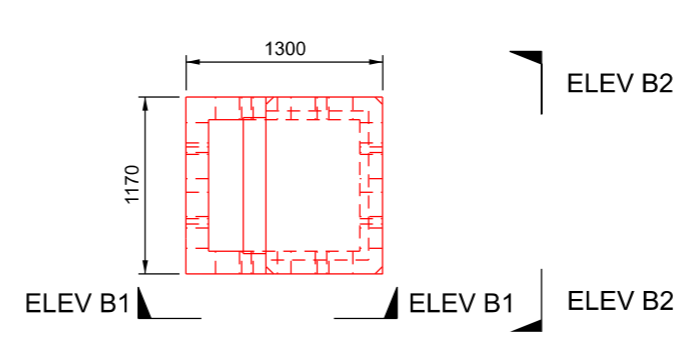


ABB CHARGE POST FOUNDATION PLAN  
SCALE 1:50



HP CABINET FOUNDATION PLAN  
SCALE 1:50



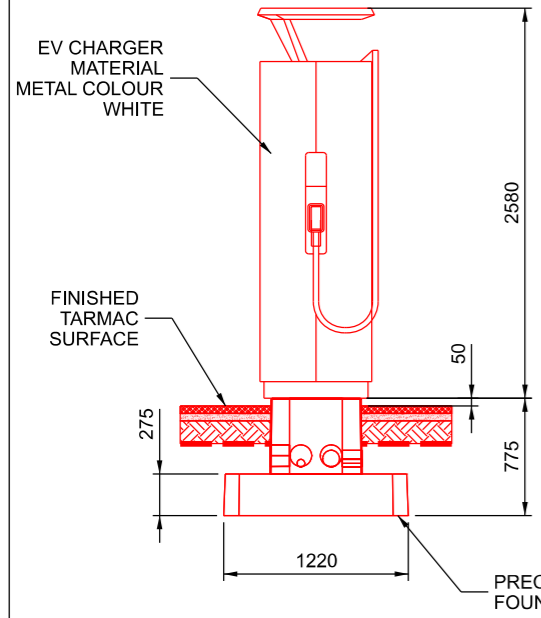
NOTES:

COLOUR CONVENTIONS  
 BLACK - EXISTING OR UNCHANGED  
 BLUE - MODIFIED OR TO BE MOVED  
 GREEN - REDUNDANT OR TO BE REMOVED  
 RED - PROPOSED OR ADDITIONAL  
 PURPLE - WORKS BY OTHERS/FUTURE WORKS

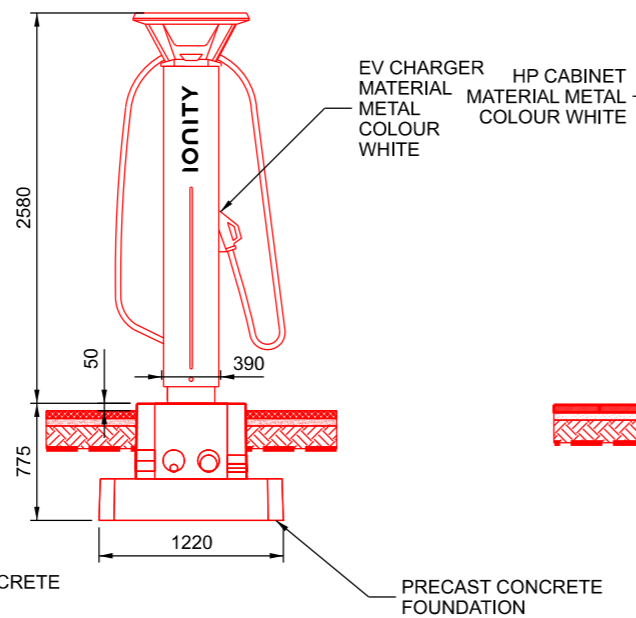
Rev	Date	Description of Revisions	Drawn	Chkd	Appr
P01	15/12/23	ISSUED FOR REVIEW	VK	Chk	App

Suitability: S0 - WORK IN PROGRESS

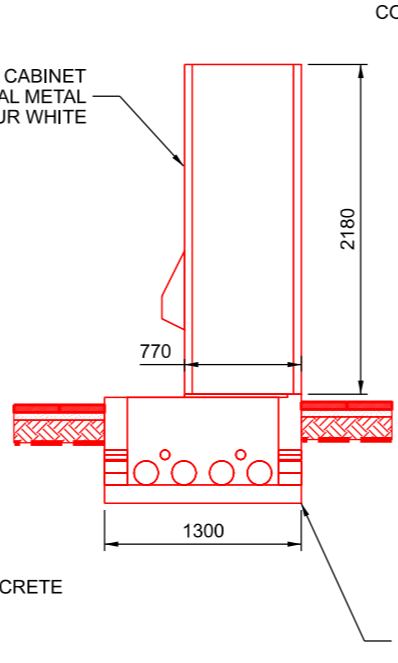
ELEVATION A1  
SCALE 1:50



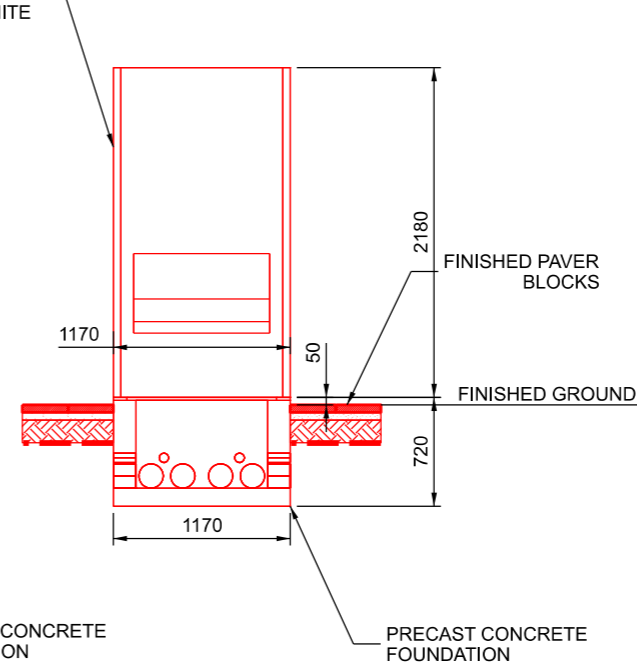
ELEVATION A2  
SCALE 1:50



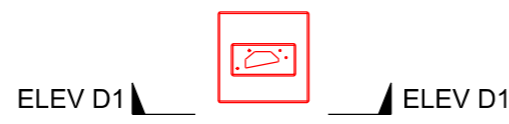
ELEVATION B1  
SCALE 1:50



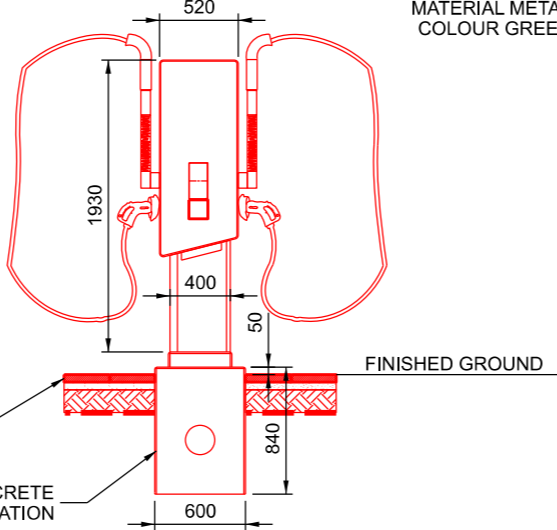
ELEVATION B2  
SCALE 1:50



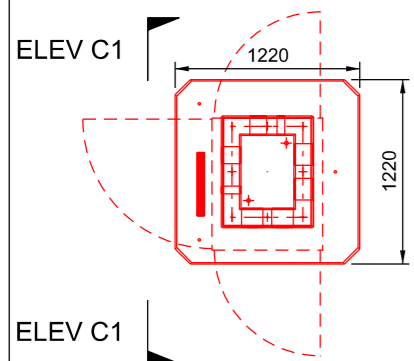
HYC 50 ALPITRONIC CHARGER PLAN  
SCALE 1:50



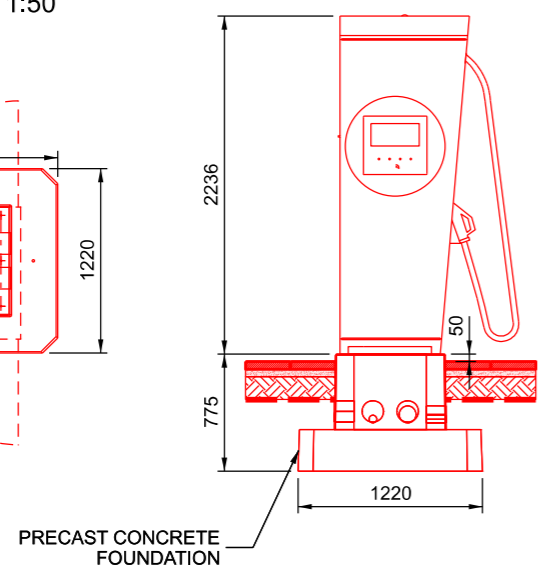
ELEVATION D1  
SCALE 1:50



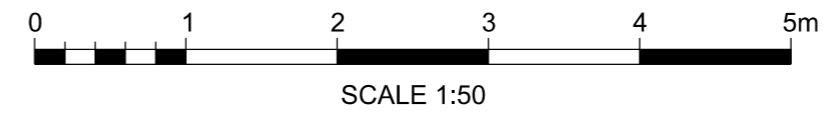
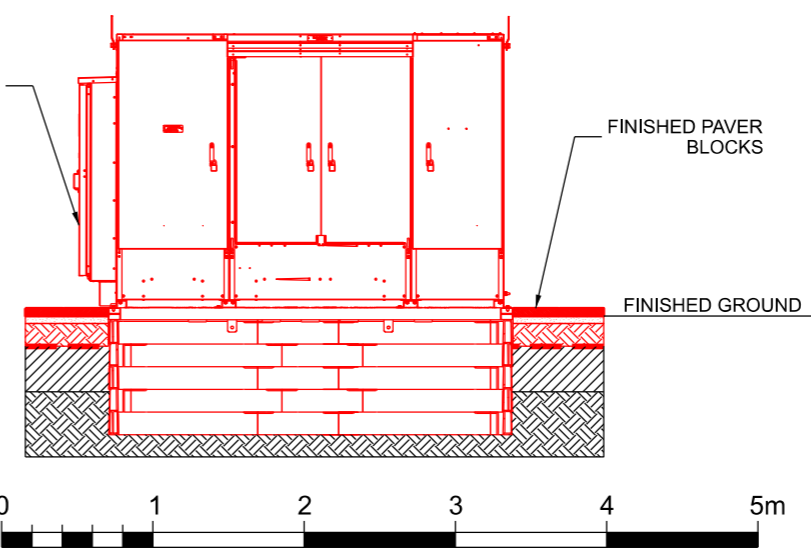
HYC 400 ALPITRONIC CHARGER PLAN  
SCALE 1:50



ELEVATION C1  
SCALE 1:50



LV PANEL ELEVATION  
SCALE 1:50



Poise Group Ltd  
124 City Road  
London  
EC1V 2NX

Contractor(s)

Ionity GmbH  
Moosacher Strasse 84,  
D-80809 Munich  
Germany

Project: 8312 - IONITY VILLAGE HOTEL BLACKPOOL

Drawing Title: IONITY VILLAGE HOTEL BLACKPOOL ELECTRIC VEHICLE CHARGING GENERAL TYPICAL DETAILS

Designed	A THAKUR	Signed		Date	14/12/23
Drawn	A THAKUR	Signed		Date	14/12/23
Checked	Checked	Signed		Date	Date3
Approved	Approved	Signed		Date	Date4
Scale(s)	R.T.D	ELR & Mileage	ELR&Mileage		
Alternative Reference	-			Sheet	01 of 01
Drawing Number	8312-POI-DRG-CIV-500016			Revision	P01