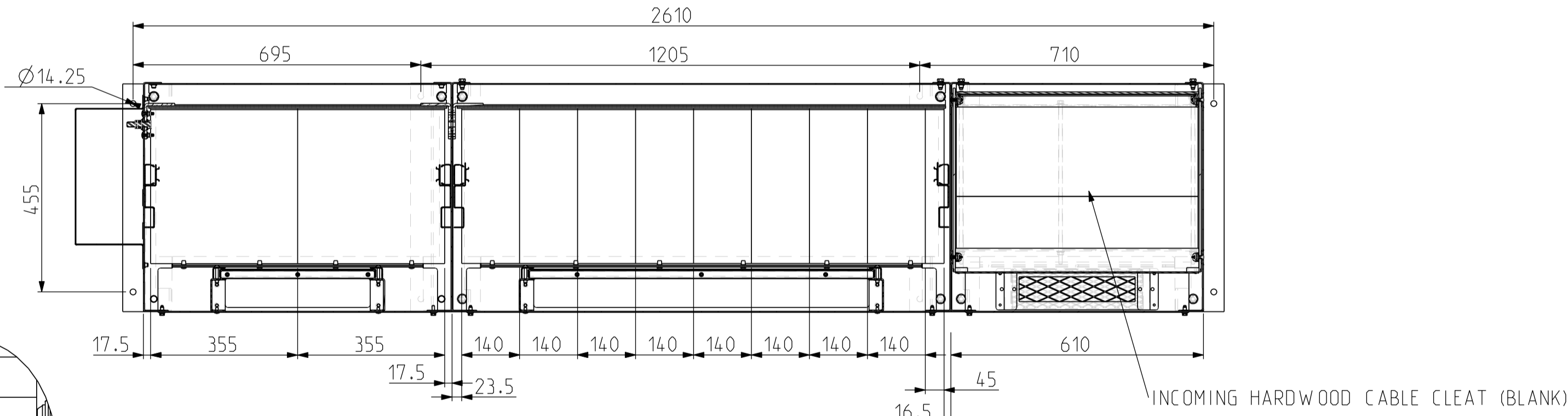


SECTION A-A  
VIEW TO SHOW OUTGOING NSX400's

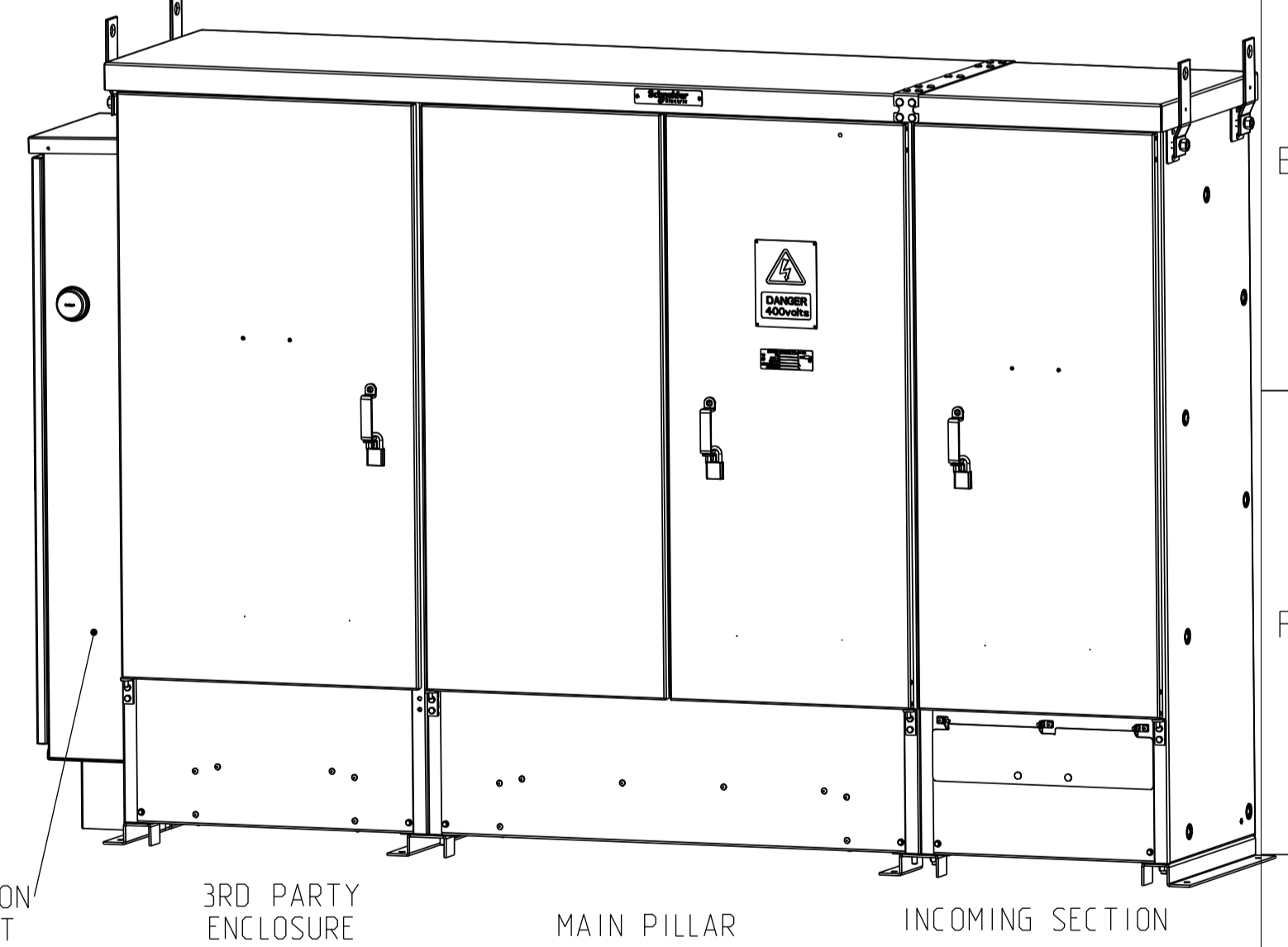
FRONT VIEW WITH DOORS REMOVED FOR CLARITY

SECTION B-B  
VIEW TO SHOW INCOMING CABLE CONNECTIONS

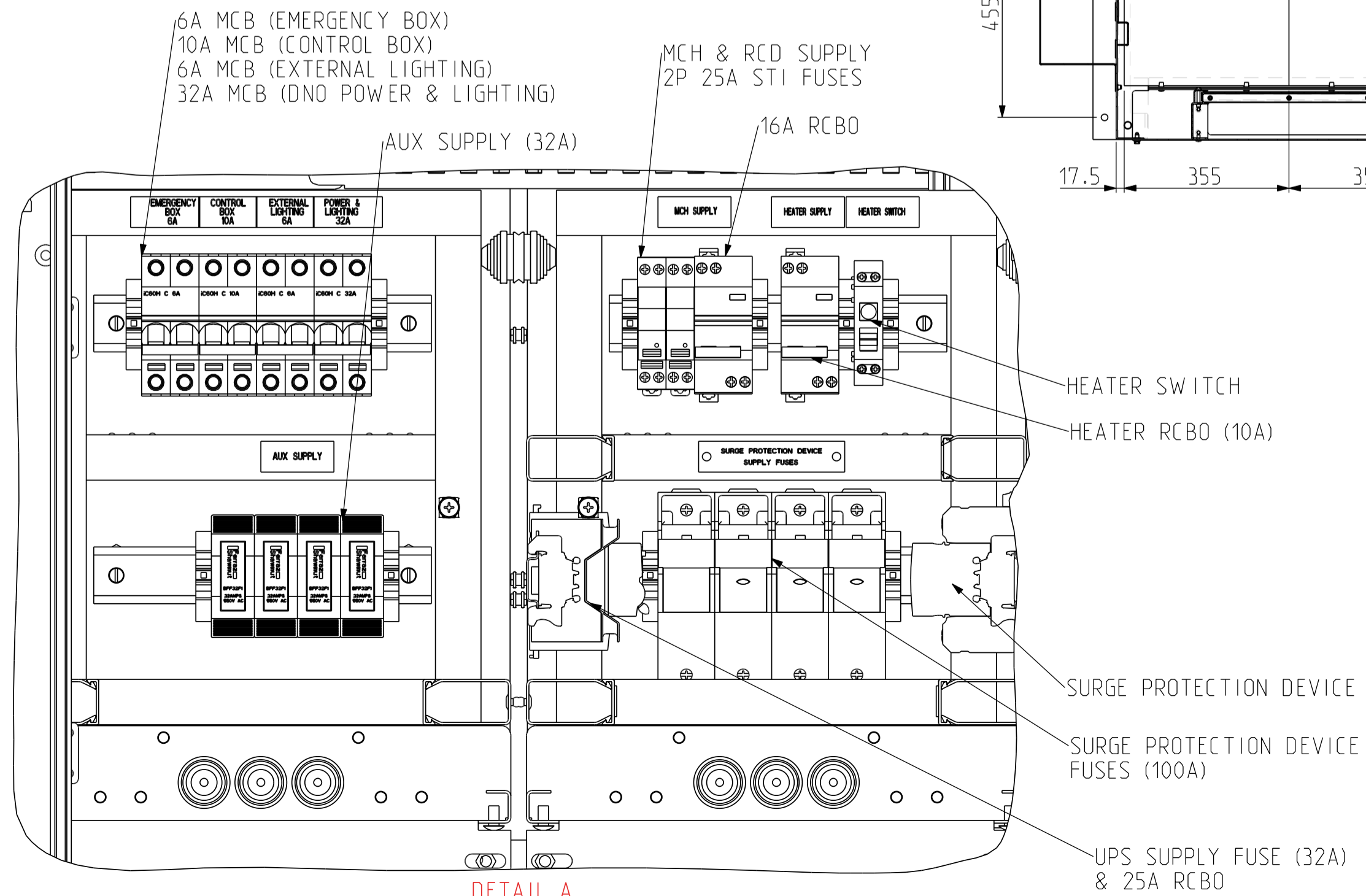
VIEW TO SHOW COMMUNICATION COMPARTMENT



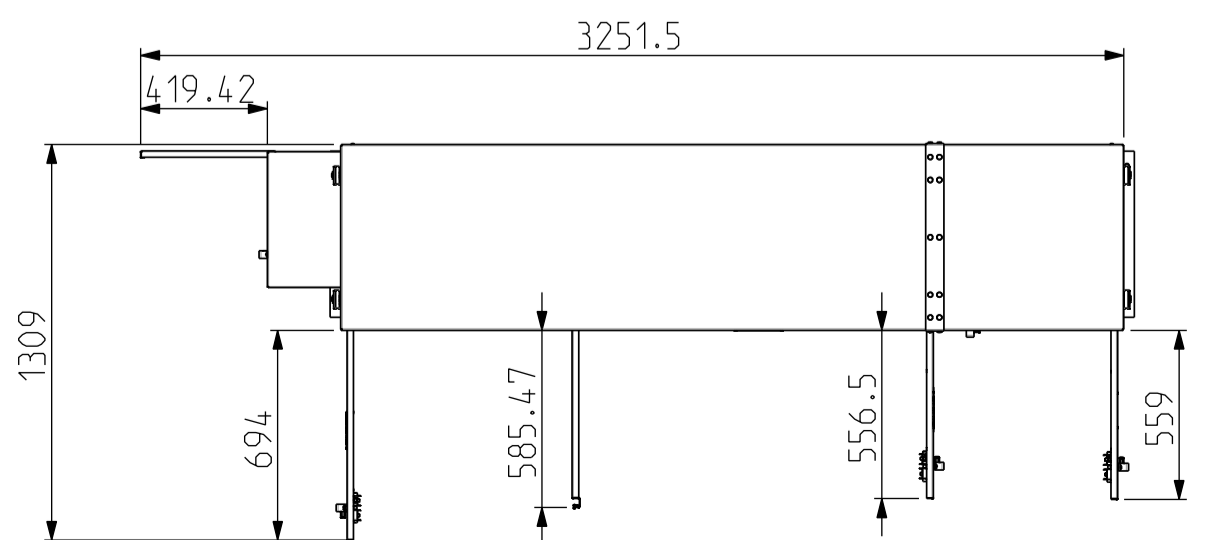
VIEW TO SHOW GLAND PLATE ARRANGEMENT SECTION C-C



ISOMETRIC VIEW SCALE 7:100



DETAIL A SCALE 7:20



VIEW TO SHOW PILLAR WITH DOORS OPEN

Rev	Date	Modification	Name	Visa	Name	Visa	Name	Visa	C.Ref.
1	20.03.23	UPDATED AS PER MEETING 17.03.23	J.SAV		AC				
Range or family:		Designed by:	Approved by:		Date:	Application note:			
NS.MK11		J.SAV	AC		16.01.23				
Update description:		Distribution code:							
Material:		As per standard or specification:							
Heat treatment:		As per specification:							
Surface protection:		As per specification:							
Scale:	1:10	Tolerancing Standard:				Units of measure:			
		Dimensions upto 500mm +/- 0.5, Dimensions above 500mm +/- 1				mm			
		Dimension with 2 dec places +/- 0.15							
<p><b>Schneider Electric</b></p> <p><b>1600A 6 WAY NS FEEDER PILLAR WITH I/C DNO METERING FOR 10N1TY</b></p> <p>Number: <b>EION16A6WFS</b></p> <p>Revision: <b>1</b> / Sheet: <b>1/1</b></p>									