



SRK25ZSP-W / SRC25ZSP-W

2.5(0.9~3.1)

Indoor Unit : SRK25ZSP-W

Outdoor Unit : SRC25ZSP-W

Specifications

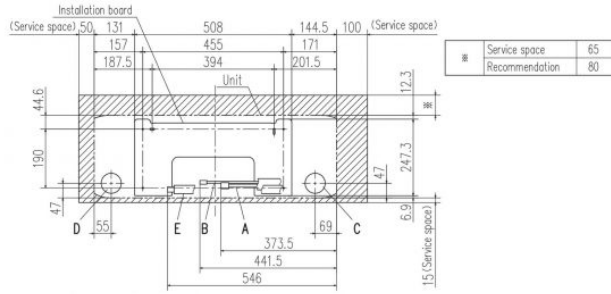
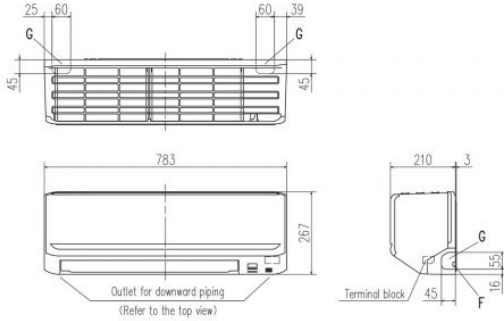


Indoor unit			SRK25ZSP-W
Outdoor unit			SRC25ZSP-W
Power source			1Phase, 220 - 240, 50Hz
Nominal cooling capacity (Min~Max)		kW	2.5(0.9~3.1)
Nominal heating capacity (Min~Max)		kW	2.8(1.0~4.1)
Power consumption	Cooling/Heating	kW	0.710 / 0.690
EER/COP	Cooling/Heating		3.52/4.05
Max. running current			A 9
Sound power level	Indoor	Cooling/Heating	57 / 57
	Outdoor	Cooling/Heating	57 / 56
Sound pressure level	Indoor	Cooling (Hi/Me/Lo/Ulo)	dB(A) 45 / 34 / 23
		Heating (Hi/Me/Lo/Ulo)	
	Outdoor	Cooling/Heating	47 / 45
Air flow	Indoor	Cooling (Hi/Me/Lo/Ulo)	m3/min 10.0 / 7.3 / 4.2
		Heating (Hi/Me/Lo/Ulo)	
	Outdoor	Cooling/Heating	23.7 / 19.7
Exterior Dimensions	Indoor	Height x Width x Depth	mm 267 x 783 x 210
	Outdoor		
Net weight	Indoor / Outdoor	kg	7.0 / 26.5
Refrigerant	Type/GWP		R32 / 675
Refrigerant	Charge	kg/TCO2Eq	0.550 / 0.371
Refrigerant piping size	Liquid/Gas	ø mm	6.35(1/4") / 9.52(3/8")
Refrigerant line (one way) length			m Max. 15
Vertical height differences		Outdoor is higher/lower	m Max. 10 / Max. 10
Outdoor operating temperature range	Cooling	°C	-15~46
	Heating		-15~24
Clean filter			-
Energy Class (Cooling/Heating)			A+ / A+
SEER			6.80
SCOP (Average climate)			4.10
Pdesign (cooling/heating(@-10°C))		kW	2.50/2.80
Annual Electricity Consumption (cooling/heating)		kWh/a	129/957
Designated Heating Season			Average

• The data is measured under the following conditions(ISO-T1, H1). Cooling: Indoor temp. of 27°CDB, 19°CWB, and outdoor temp. of 35°CDB. Heating: Indoor temp. of 20°CDB, and outdoor temp. of 7°CDB, 6°CWB.
 • Sound level indicates the value in an anechoic chamber. During operation these values are somewhat higher due to ambient conditions.
 • 'tonne(s) of CO2 equivalent' means a quantity of greenhouse gases- expressed as the product of the weight of the greenhouse gases in metric tonnes and of their global warming potential.
 *SEER/SCOP are based on EN14825:2016 and Commission regulation (EU) No.2016/2281

Schematics

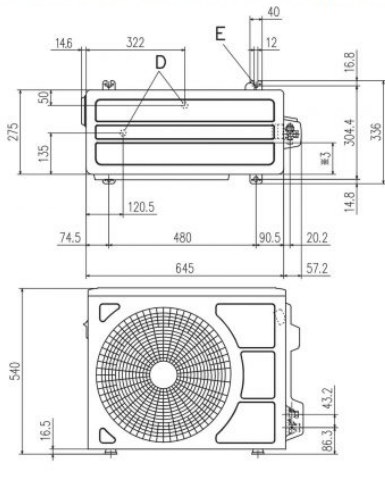
SRK25ZSP-W SRK35ZSP-W SRK45ZSP-W
SRK25ZSP-S SRK35ZSP-S SRK45ZSP-S



Space for installation and service when viewing from the front

Symbol	Content
A	Gas piping SRK25,35 #9.52 (3/8") (Flare) SRK45 #12.7 (1/2") (Flare)
B	Liquid piping #6.35 (1/4") (Flare)
C	Hole on wall for right rear piping (ø65)
D	Hole on wall for left rear piping (ø65)
E	Drain hose VP16
F	Outlet for wiring
G	Outlet for piping (on both side)

SRC25ZSP-W SRC25ZSP-S SRC35ZSP-W SRC35ZSP-S



Symbol	Content
A	Service valve connection (gas side) #9.52 (3/8") (Flare)
B	Service valve connection (liquid side) #6.35 (1/4") (Flare)
C	Pipe/cable draw-out hole
D	Drain discharge hole #20x2places
E	Anchor bolt hole M10x4places

Examples of installation Dimensions	I II III IV			
	L1	Open	280	280
L2	100	100	Open	Open
L3	100	80	80	80
L4	250	Open	250	Open

