

# VERITAS

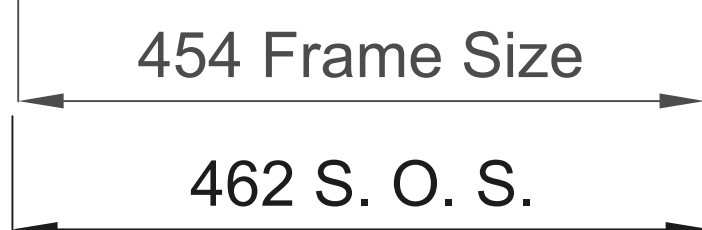
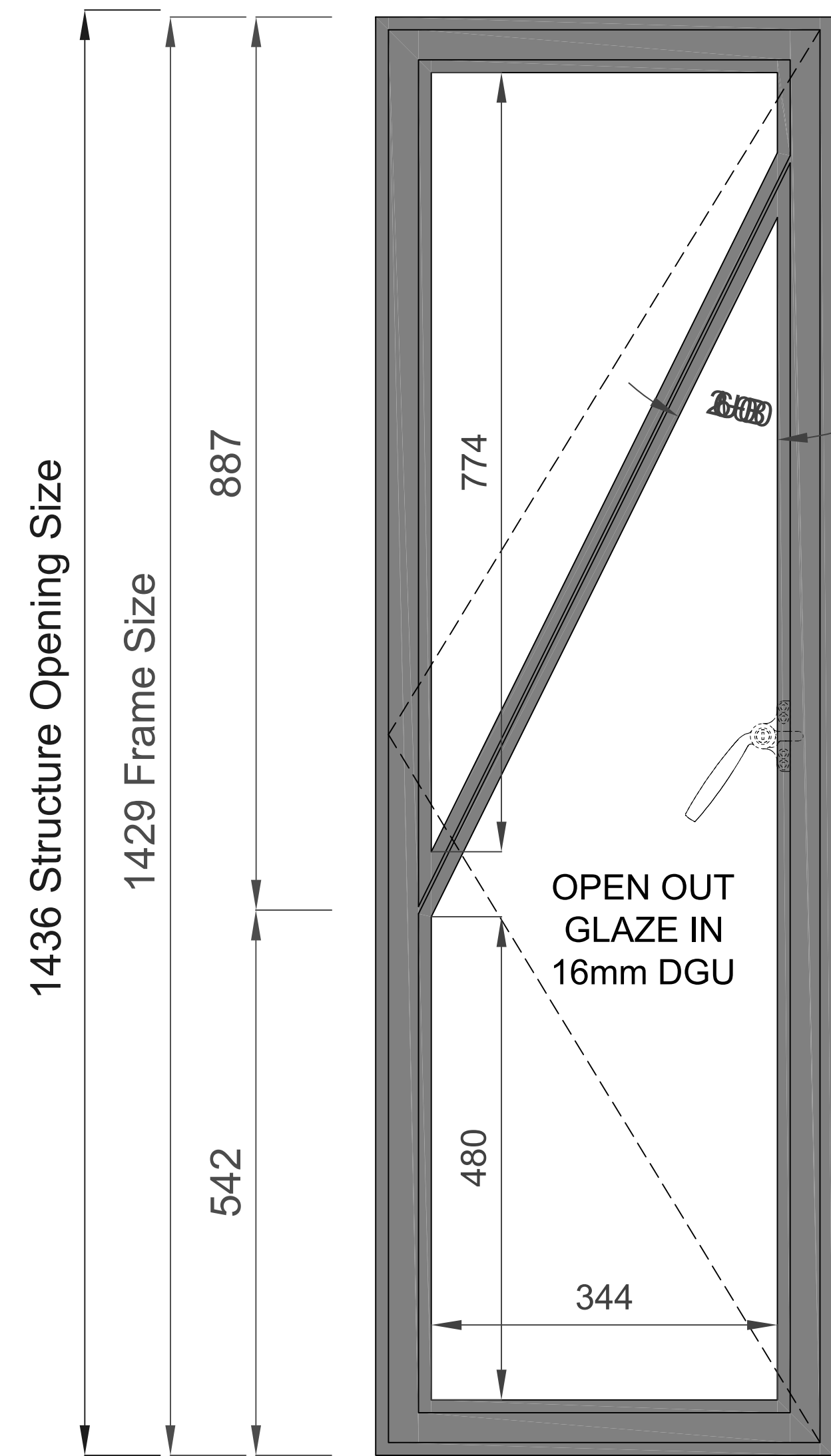
Glazing Solutions Ltd.

Maison Etc Ltd

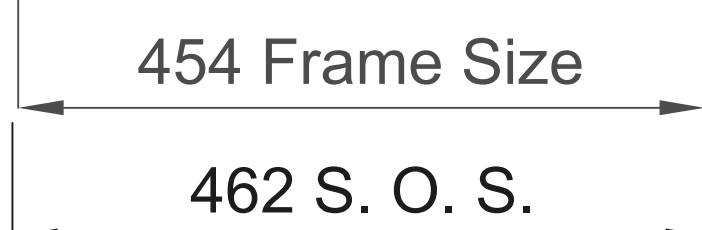
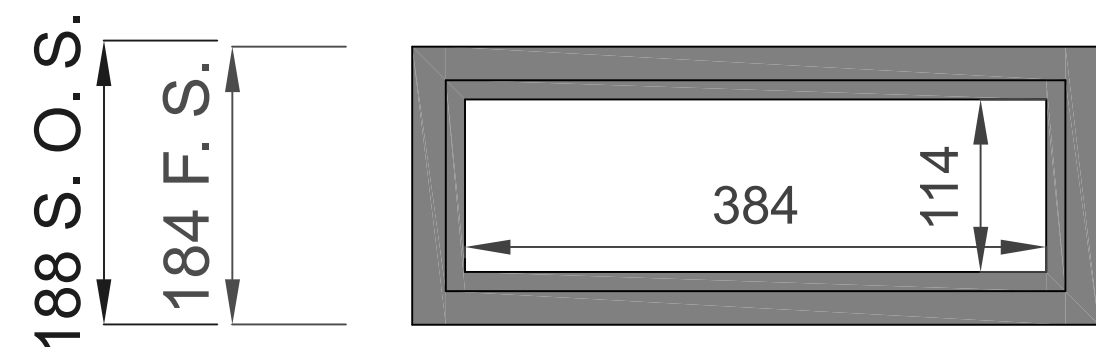
Penkridge Hall

VGS23027

All Elevations Are Viewed From Outside

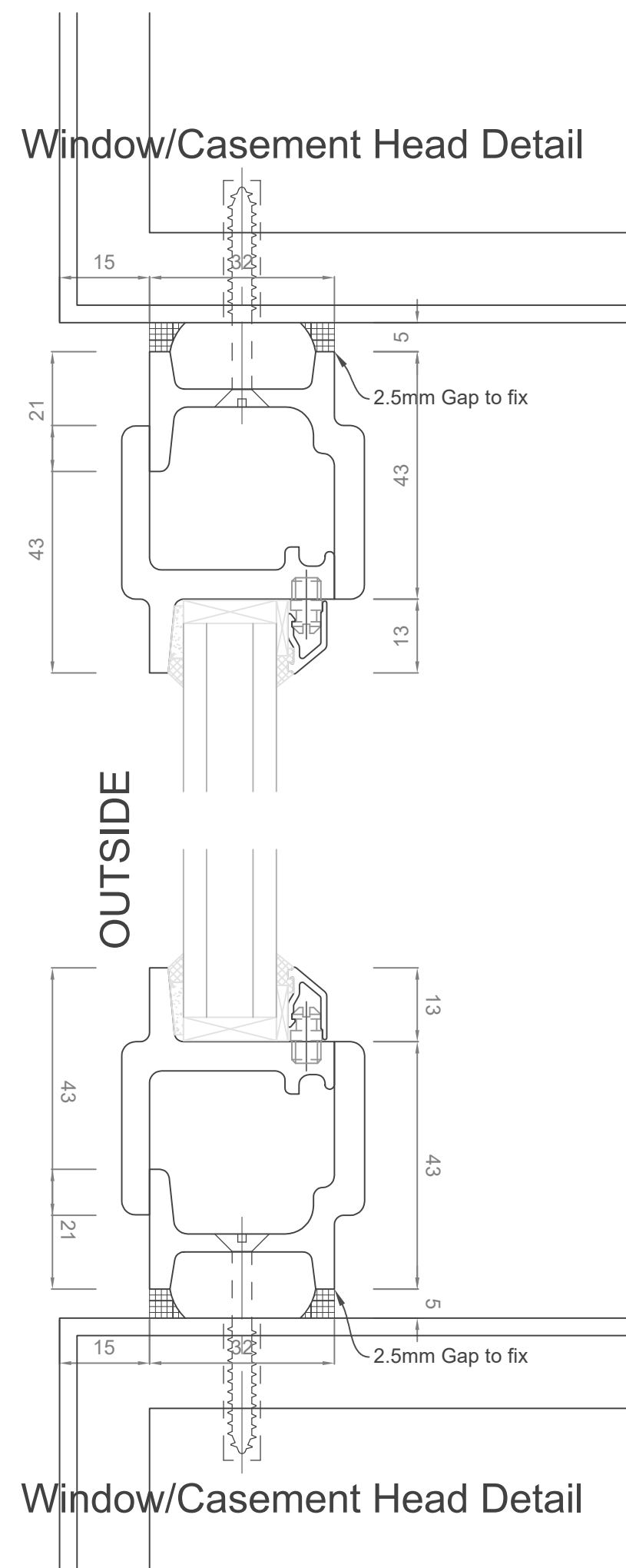


ITEM 1  
W1



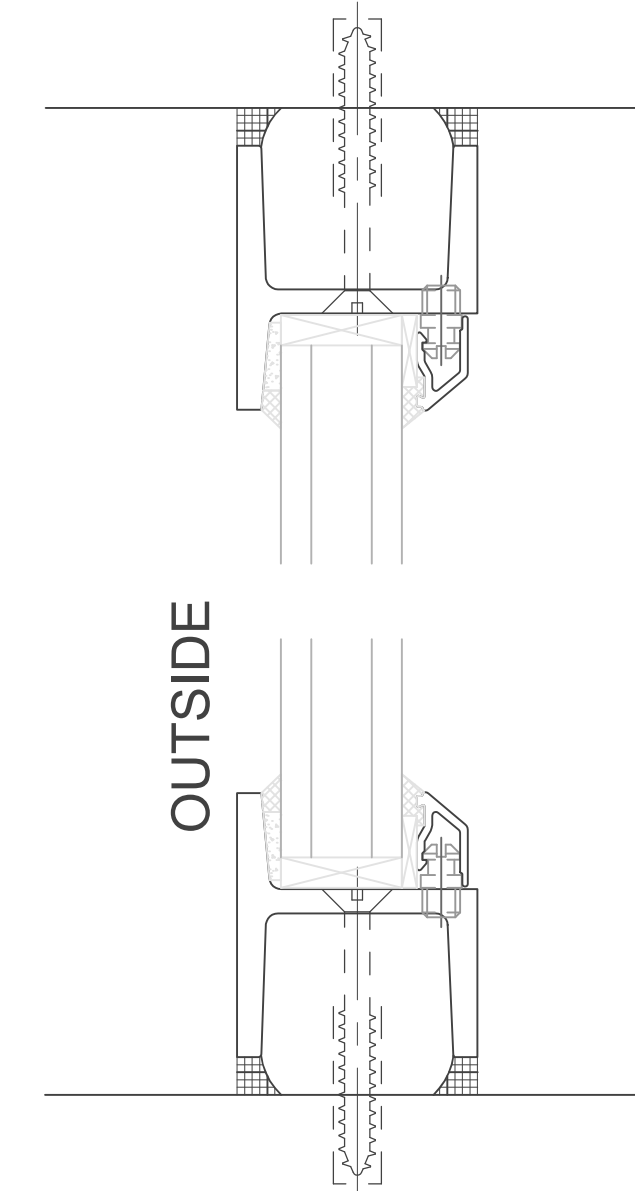
W1A

Window/Casement Head Detail

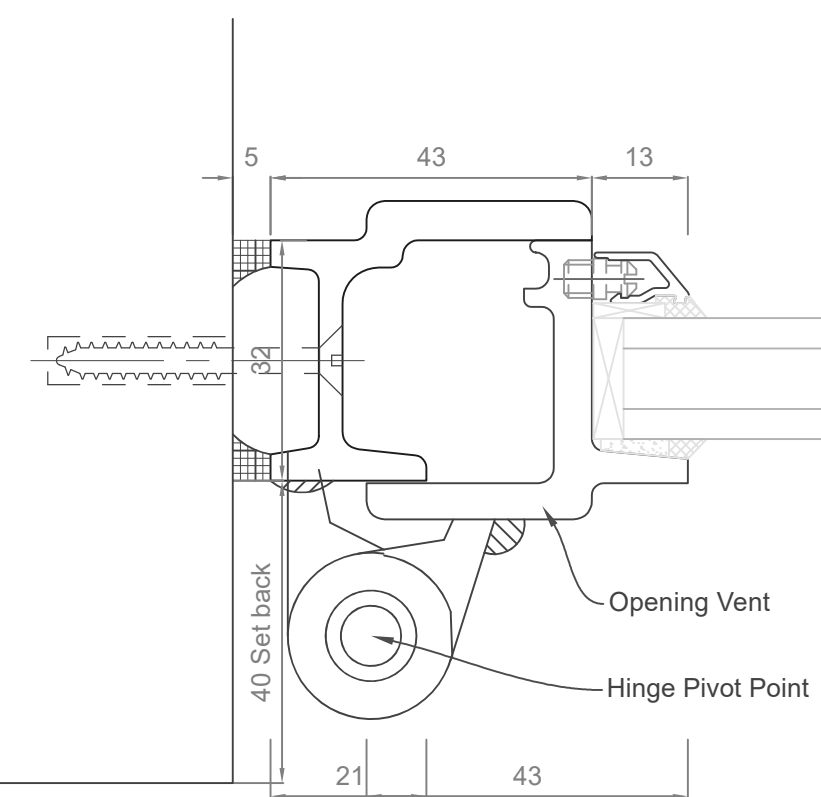


Window/Casement Head Detail

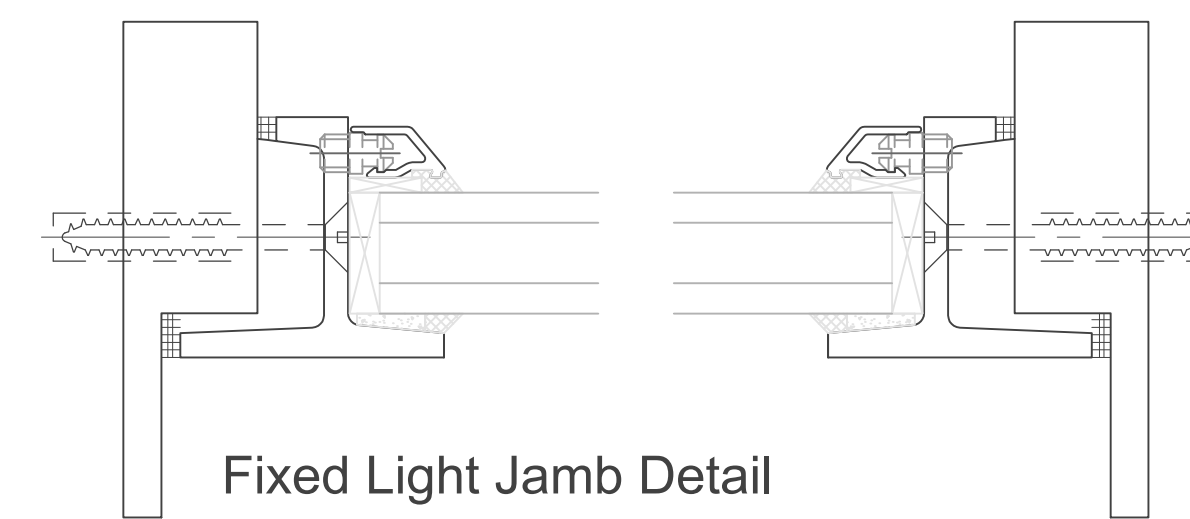
Fixed Light Jamb Detail



Fixed Light Jamb Detail



Window/Casement Jamb Detail

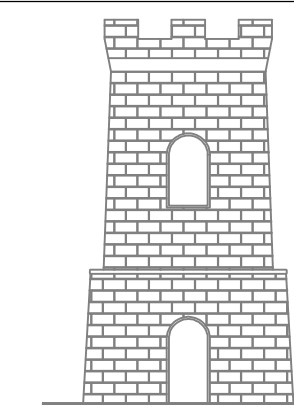


Fixed Light Jamb Detail

**SPECIFICATION:**  
**ELEVATIONS** - VIEWED FROM OUTSIDE  
**SECTIONS** - CRITTALL - W20 STEEL  
**GLAZING** - GLAZED IN 12321 BEAD FOR 16mm DGU  
**GLAZING BARS** - WT2/9811 SECTION  
**FIXED AND GLAZED BY VERITAS GLAZING SOLUTIONS.**  
**PAINT FINISH** - RAL8080 MATT - BRONZE.  
**SILICON COLOUR BLACK**

**GLASS SPECIFICATION -**  
 EXTERNAL: 4mm TOUGHENED LOW IRON  
 CAVITY: 8mm KRYPTON **BLACK SPACER**  
 INTERNAL: 4mm TOUGHENED PLANITHERM TOTAL +

WE USE SAFETY GLASS AS STANDARD FOR IMPROVED SECURITY AND SAFETY. THESE WILL BE VISIBLY MARKED IN THE BOTTOM CORNER OF EACH PANE TO COMPLY WITH CURRENT BUILDING REGULATIONS.



**VERITAS**  
Glazing Solutions Ltd.

All Dimensions Are In Millimeters  
 All Dimensions To Be Checked On-Site  
 Scale@A1: 1:1 & 1:8 - DO NOT SCALE SIZES OFF DRAWINGS

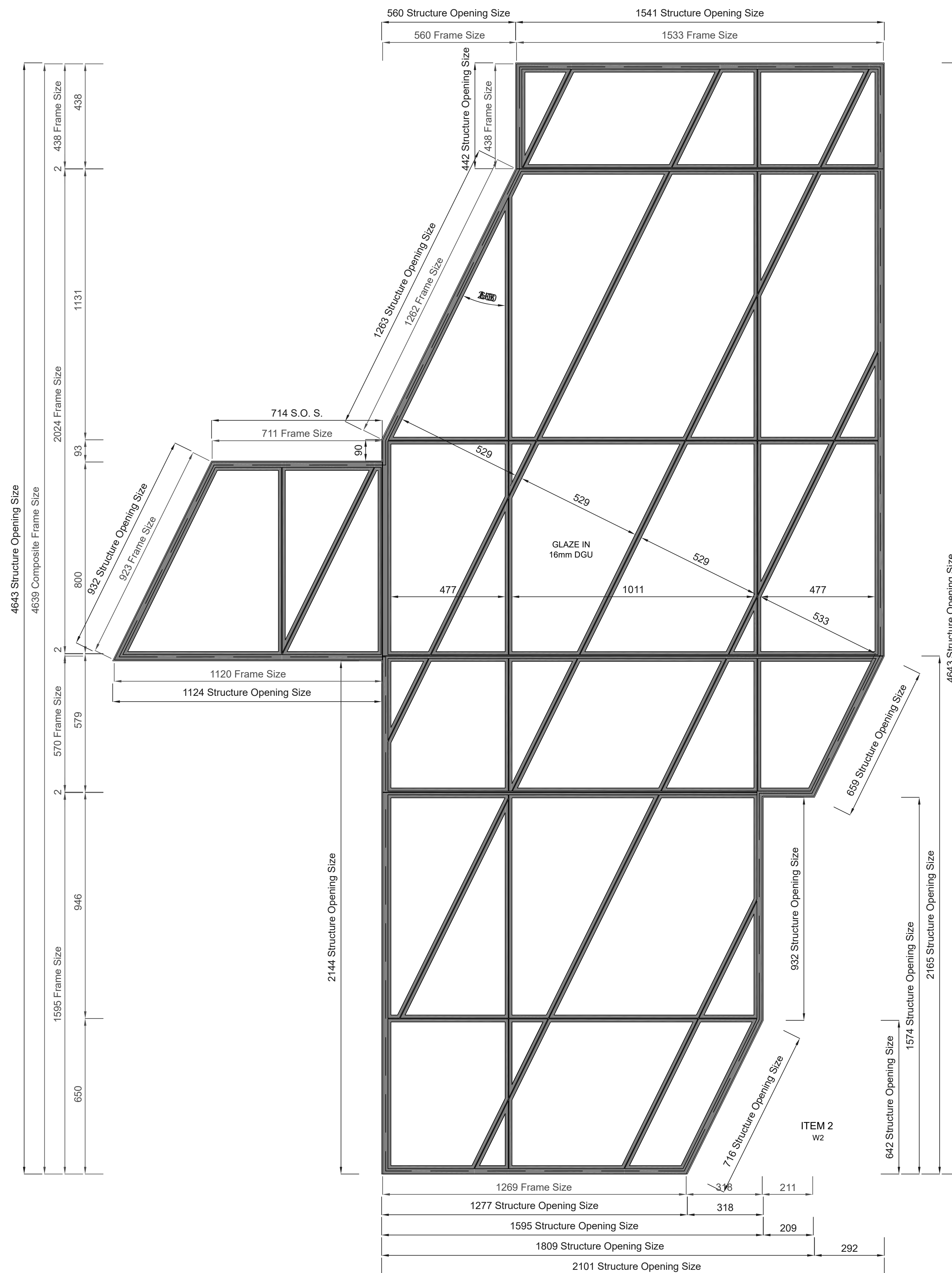
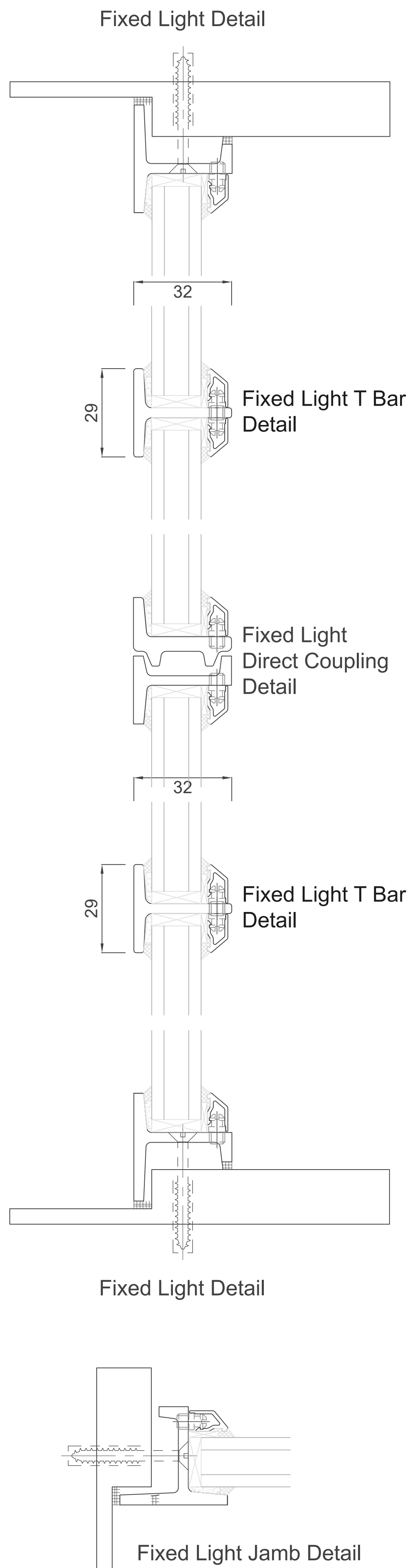
Client Name: Maison Etc Ltd  
 Project No.: VGS23027

Installation Address:  
 Penkridge Hall  
 Leebotwood  
 Church Stretton, Shropshire  
 SY6 6LZ

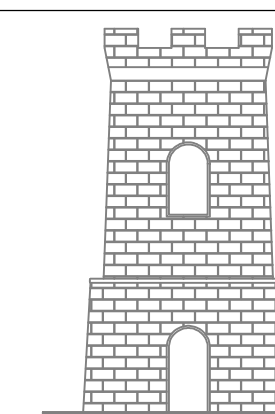
Designer Sam Meadham	Surveyor Ben Turner
Detailer Taene Candido	
Date 13/10/2023	
Sheet Number 1	Items 2
Revision R-B	
Client Approval Signature	

Please Note:  
 1. Any necessary making good to be by others

All Elevations Are Viewed From Outside



**SPECIFICATION:**  
**ELEVATIONS** - VIEWED FROM OUTSIDE  
**SECTIONS** - CRITTALL - W20 STEEL  
**GLAZING** - GLAZED IN 12321 BEAD FOR 16mm DGU  
**GLAZING BARS** - WT2/9811 SECTION  
**FIXED AND GLAZED BY VERITAS GLAZING SOLUTIONS.**  
**PAINT FINISH** - RAL8080 MATT - BRONZE.  
**SILICON COLOUR BLACK**  
**GLASS SPECIFICATION** -  
 EXTERNAL: 4mm TOUGHENED LOW IRON  
 CAVITY: 8mm KRYPTON **BLACK SPACER**  
 INTERNAL: 4mm TOUGHENED PLANITHERM TOTAL +  
 WE USE SAFETY GLASS AS STANDARD FOR IMPROVED SECURITY AND SAFETY. THESE WILL BE VISIBLY MARKED IN THE BOTTOM CORNER OF EACH PANE TO COMPLY WITH CURRENT BUILDING REGULATIONS.



**VERITAS**  
 Glazing Solutions Ltd.

All Dimensions Are In Millimeters  
 All Dimensions To Be Checked On-Site  
 Scale@A1: 1:1 & 1:8 - DO NOT SCALE SIZES OFF DRAWINGS

Client Name	Project No.
Maison Etc Ltd	VGS23027

Installation Address  
 Penkridge Hall  
 Leebotwood  
 Church Stretton, Shropshire  
 SY6 6LZ

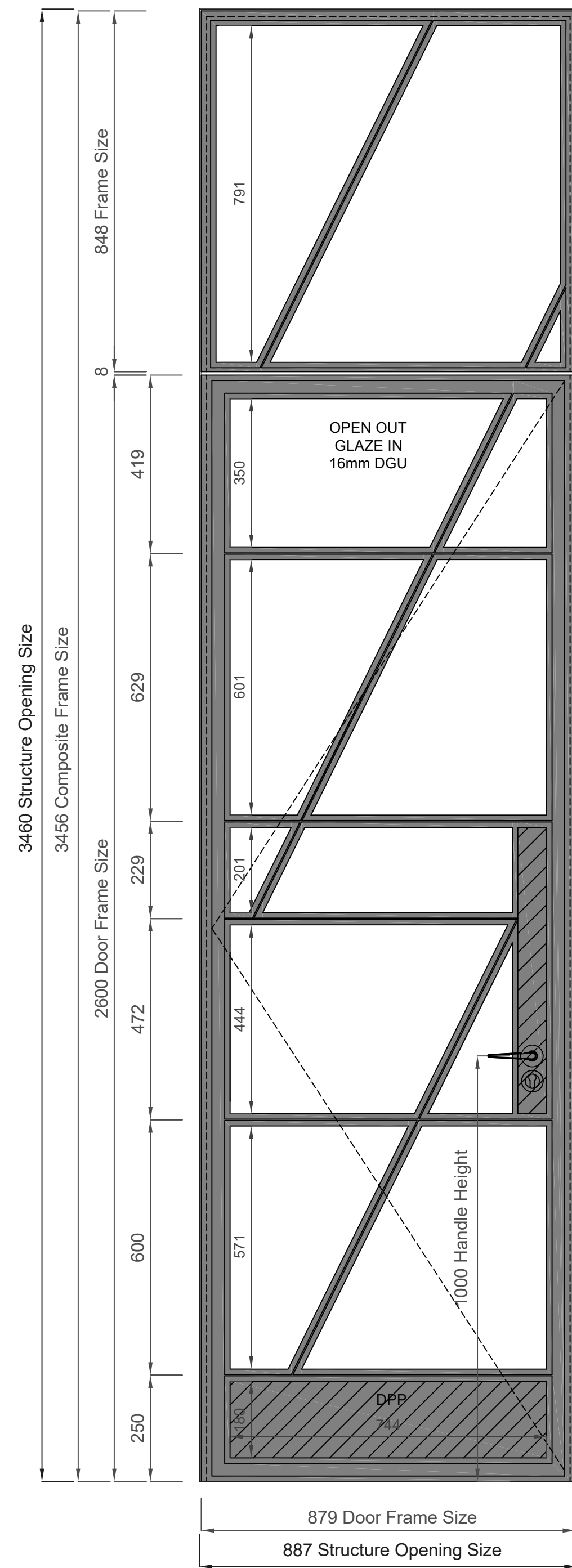
Designer	Surveyor
Sam Meadham	Ben Turner
Detailer	Date
Taene Candido	13/10/2023

Sheet Number	Items	Revision
2	1	R-B

Client Approval Signature

Please Note:  
 1. Any necessary making good to be by others

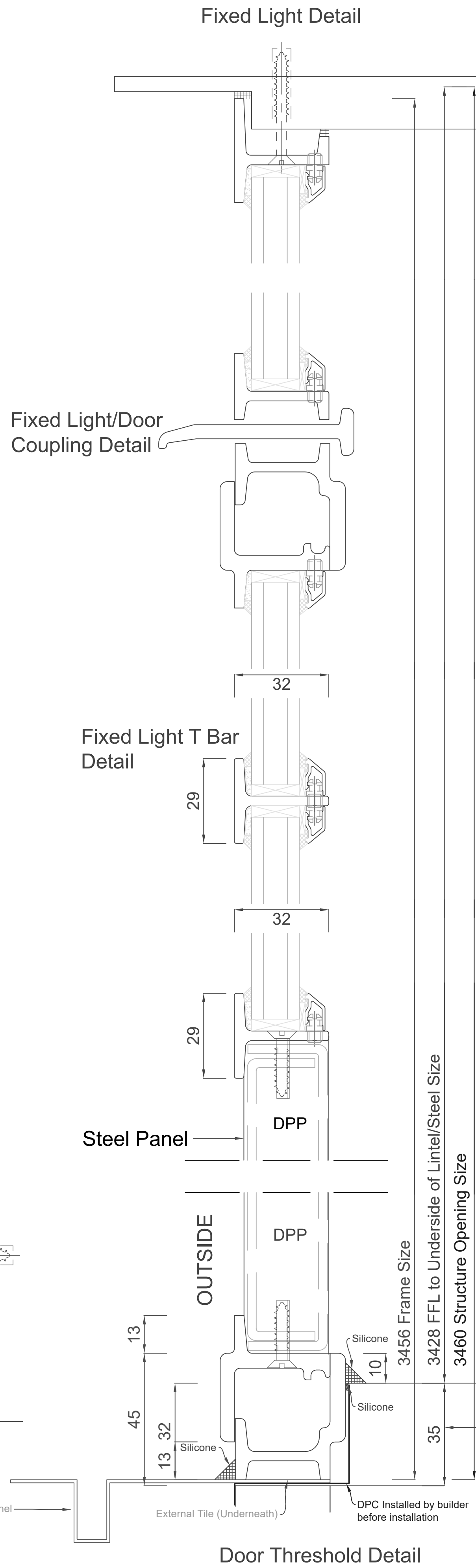
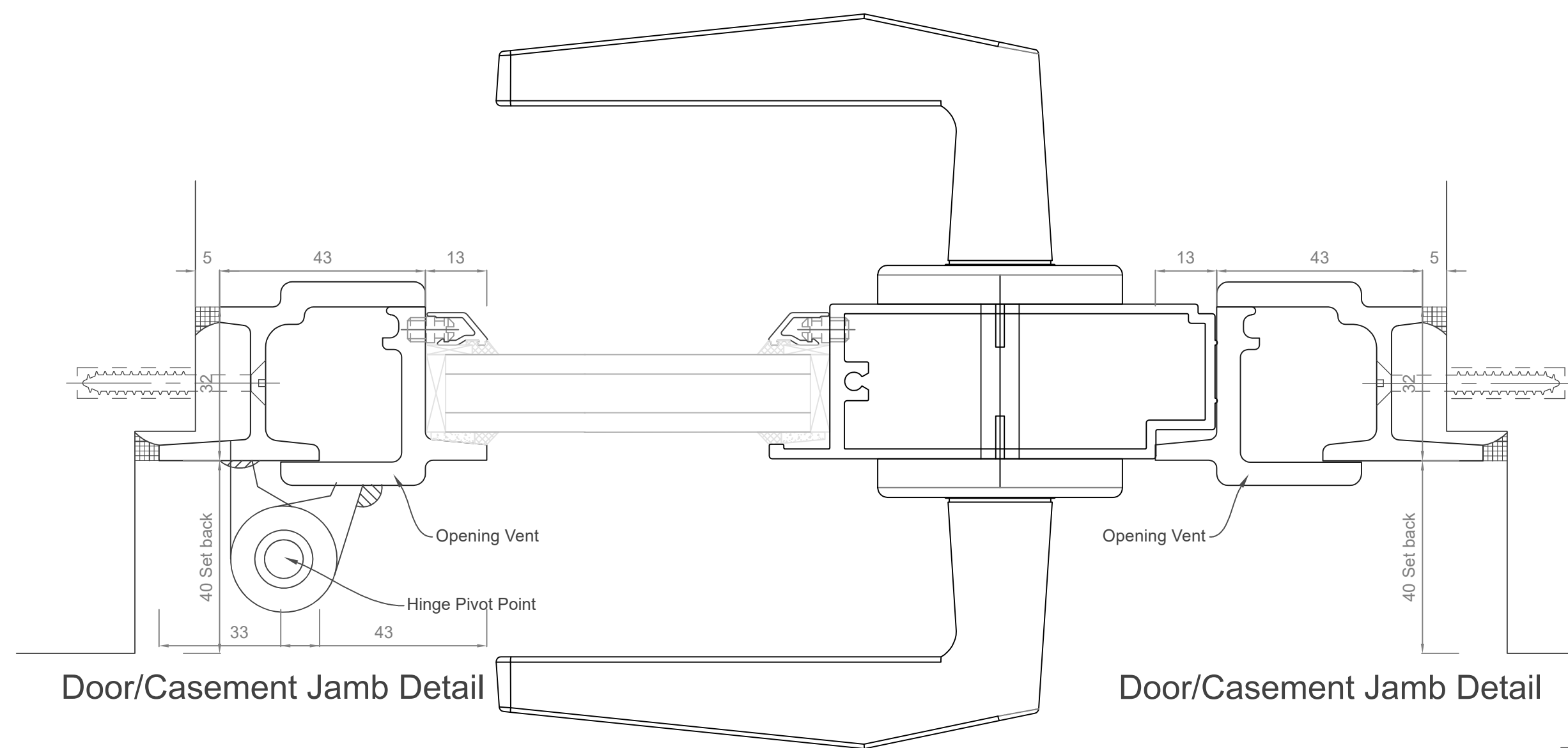
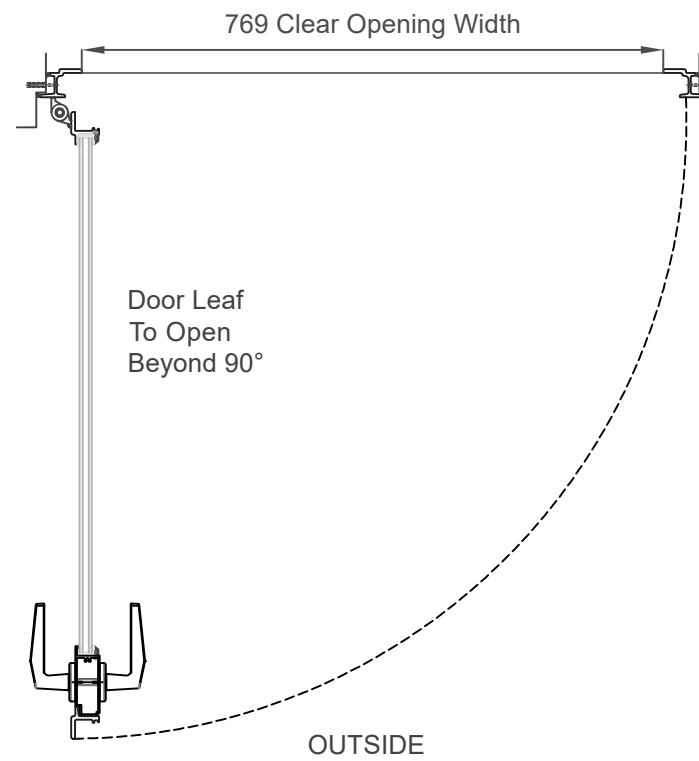
All Elevations Are Viewed From Outside



ITEM 3

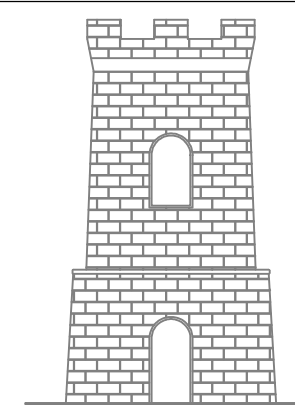
D1

INSIDE



**SPECIFICATION:**  
**ELEVATIONS** - VIEWED FROM OUTSIDE  
**SECTIONS** - W20 STEEL  
**GLAZING** - GLAZED IN 12321 BEAD FOR 16mm DGU  
**GLAZING BARS** - WT2/9811 SECTION  
**HANGING** - DOOR HUNG ON 3 S/A HINGES PER LEAF  
**FITTINGS** -  
 1 PAIR: PHOENIX DOOR LEVER ON ROSE IN AN TBC COLOUR FINISH.  
 IMPERIAL EURO PROFILE LOCK IN 12004 LOCK HOUSING  
 THUMBURNS - TBC FINISH  
**FIXED AND GLAZED BY VERITAS GLAZING SOLUTIONS.**  
**PAINT FINISH** - RAL8080 MATT - BRONZE.  
**SILICON COLOUR BLACK**  
**GLASS SPECIFICATION** -  
 EXTERNAL: 4mm TOUGHENED LOW IRON  
 CAVITY: 8mm KRYPTON **BLACK SPACER**  
 INTERNAL: 4mm TOUGHENED PLANITHERM TOTAL +

WE USE SAFETY GLASS AS STANDARD FOR IMPROVED SECURITY AND SAFETY. THESE WILL BE VISIBLY MARKED IN THE BOTTOM CORNER OF EACH PANE TO COMPLY WITH CURRENT BUILDING REGULATIONS.



**VERITAS**  
Glazing Solutions Ltd.

All Dimensions Are In Millimeters  
 All Dimensions To Be Checked On-Site  
 Scale@A1: 1:1 & 1:8 - DO NOT SCALE SIZES OFF DRAWINGS

Client Name	Project No.
Maison Etc Ltd	VGS23027

Installation Address  
 Penkridge Hall  
 Leebotwood  
 Church Stretton, Shropshire  
 SY6 6LZ

Designer	Surveyor
Sam Meadham	Ben Turner

Detailer	Date
Taene Candido	13/10/2023

Sheet Number	Items	Revision
3	1	R-B

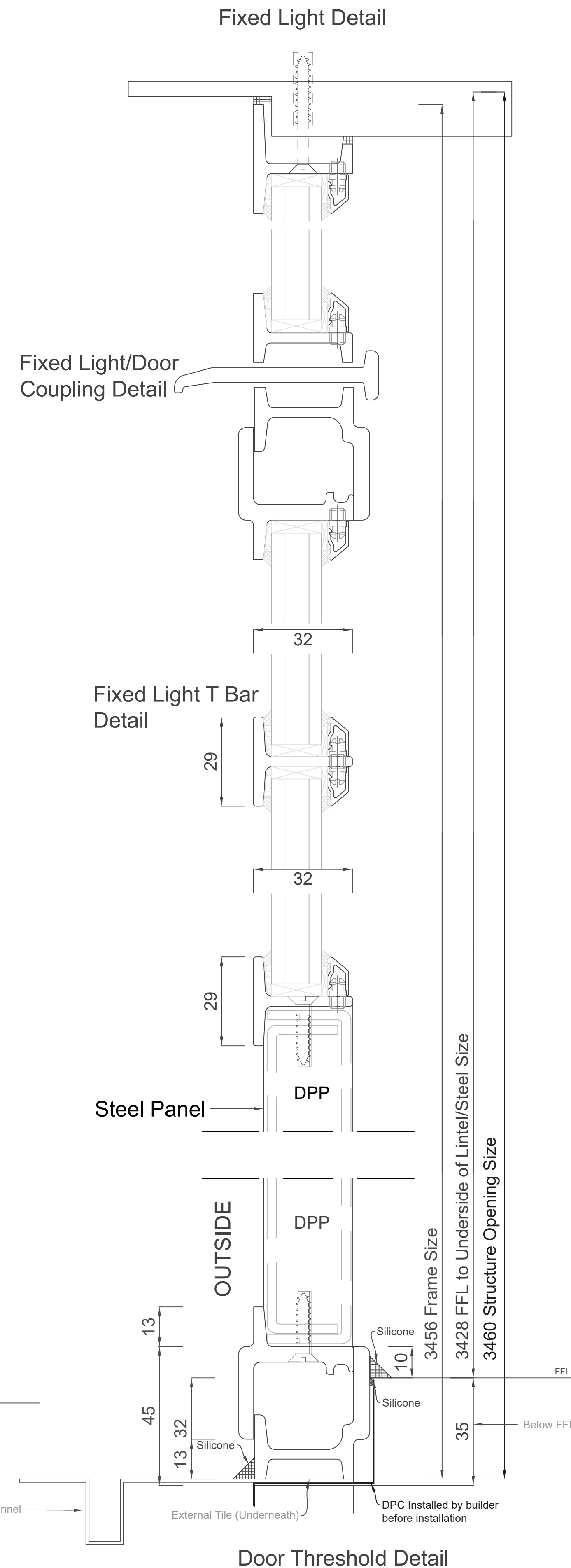
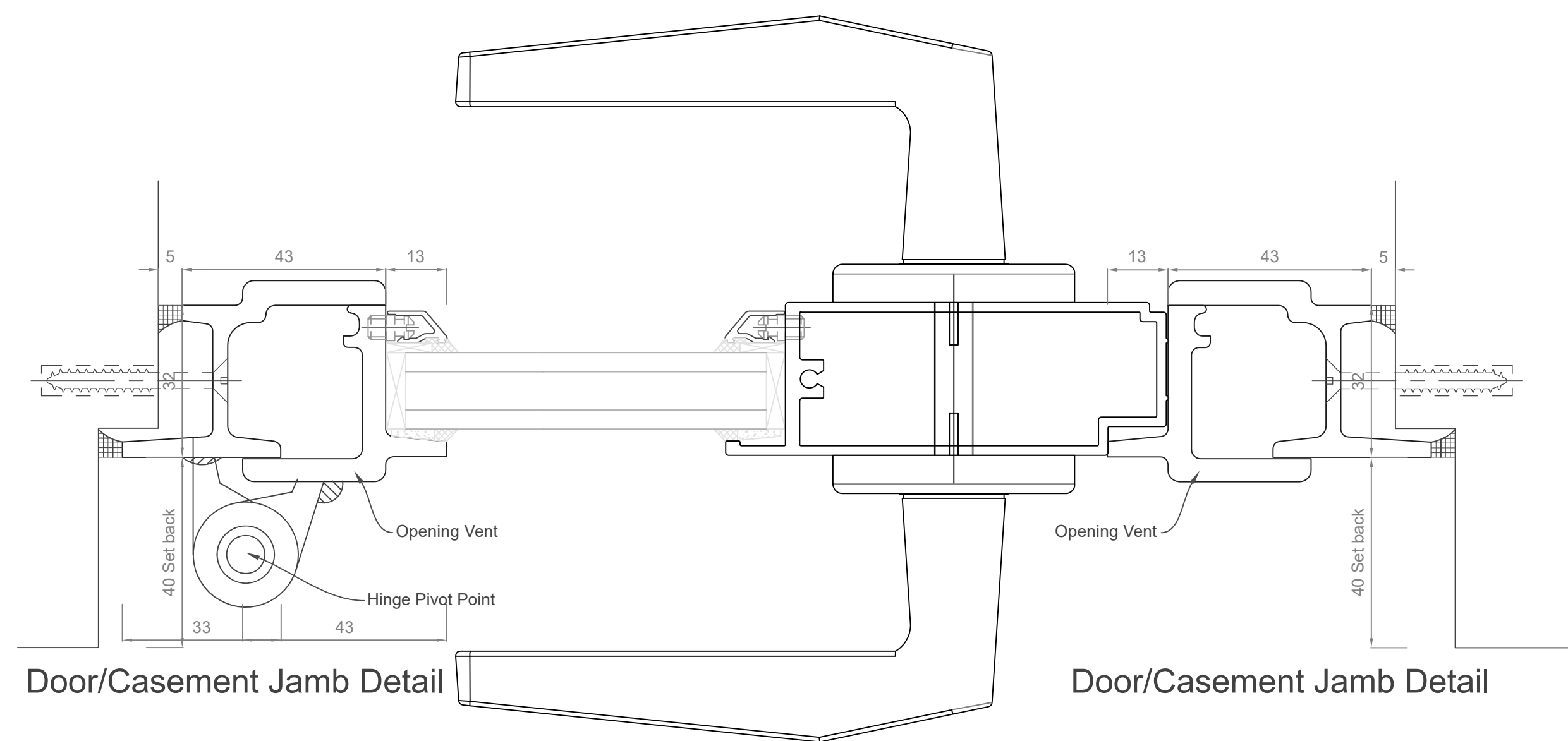
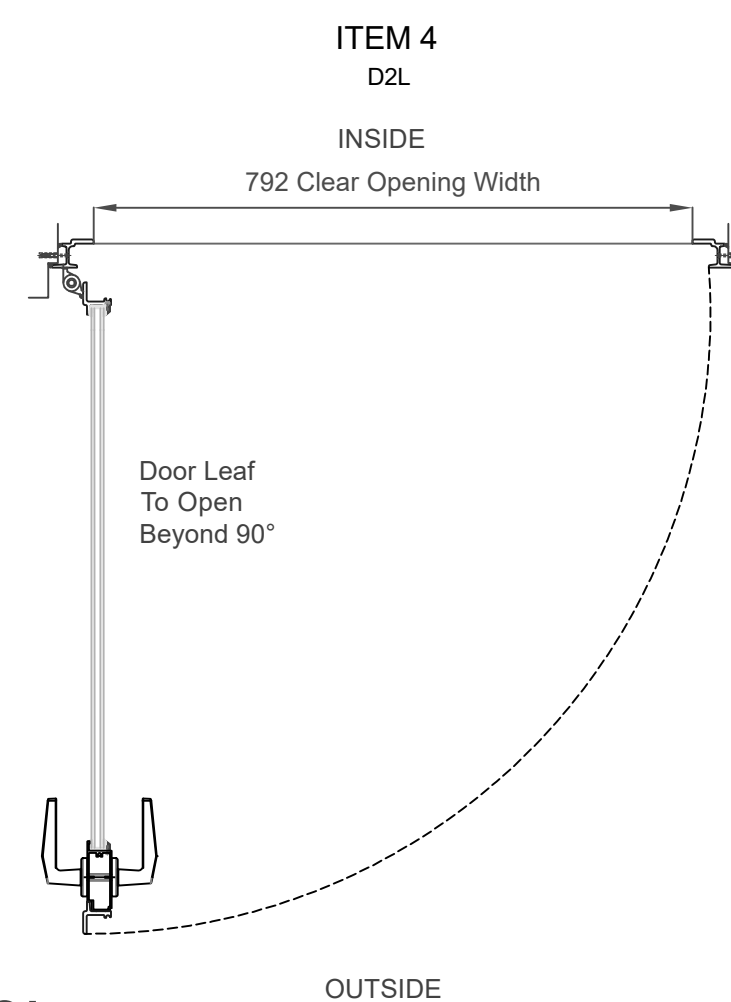
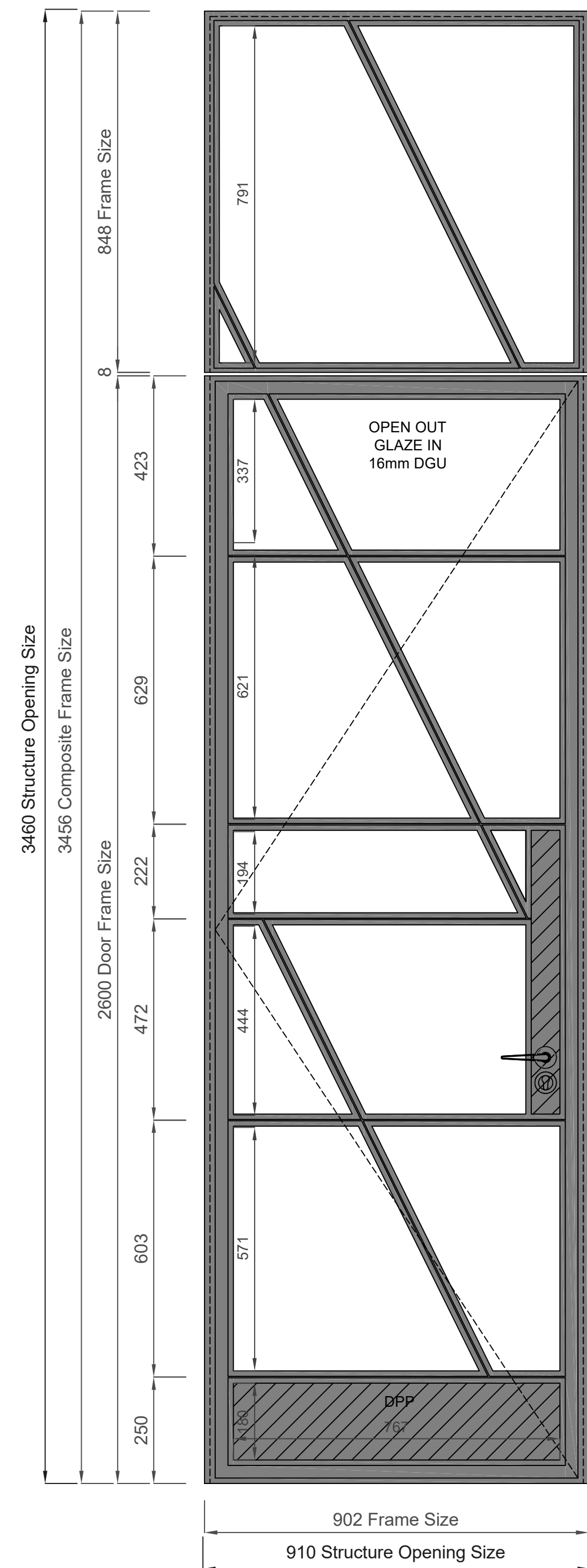
Client Approval Signature

Please Note:

- Any necessary making good to be by others
- Door stops to be fitted by others, as necessary.
- Cabin eyes/hooks supplied & fitted by others, to suit.

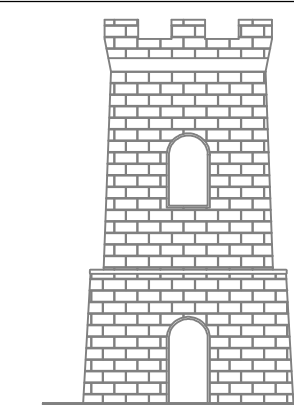


All Elevations Are Viewed From Outside



**SPECIFICATION:**  
**ELEVATIONS** - VIEWED FROM OUTSIDE  
**SECTIONS** - W20 STEEL  
**GLAZING** - GLAZED IN 12321 BEAD FOR 16mm DGU  
**GLAZING BARS** - WT2/9811 SECTION  
**HANGING** - DOOR HUNG ON 3 S/A HINGES PER LEAF  
  
 1 PAIR: PHOENIX DOOR LEVER ON ROSE IN AN TBC COLOUR FINISH.  
 IMPERIAL EURO PROFILE LOCK IN 12004 LOCK HOUSING  
 THUMBURNS - TBC FINISH  
**FIXED AND GLAZED BY VERITAS GLAZING SOLUTIONS.**  
**PAINT FINISH** - RAL8080 MATT - BRONZE.  
**SILICON COLOUR BLACK**  
**GLASS SPECIFICATION** -  
 EXTERNAL: 4mm TOUGHENED LOW IRON  
 CAVITY: 8mm KRYPTON **BLACK SPACER**  
 INTERNAL: 4mm TOUGHENED PLANITHERM TOTAL +

WE USE SAFETY GLASS AS STANDARD FOR IMPROVED SECURITY AND SAFETY. THESE WILL BE VISIBLY MARKED IN THE BOTTOM CORNER OF EACH PANE TO COMPLY WITH CURRENT BUILDING REGULATIONS.



**VERITAS**  
 Glazing Solutions Ltd.

All Dimensions Are In Millimeters  
 All Dimensions To Be Checked On-Site  
 Scale@A1: 1:1 & 1:8 - DO NOT SCALE SIZES OFF DRAWINGS

Client Name: **Maison Etc Ltd** Project No.: **VGS23027**

Installation Address:  
**Penkridge Hall  
 Leebotwood  
 Church Stretton, Shropshire  
 SY6 6LZ**

Designer: **Sam Meadham** Surveyor: **Ben Turner**

Detailer: **Taene Candido** Date: **13/10/2023**

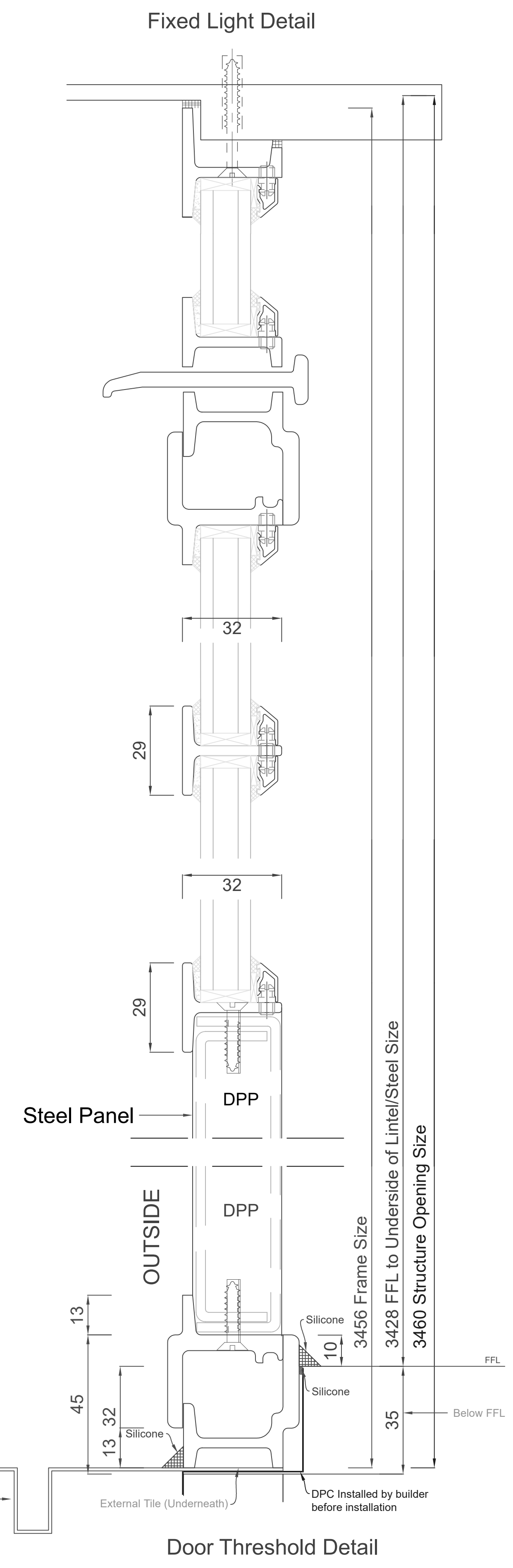
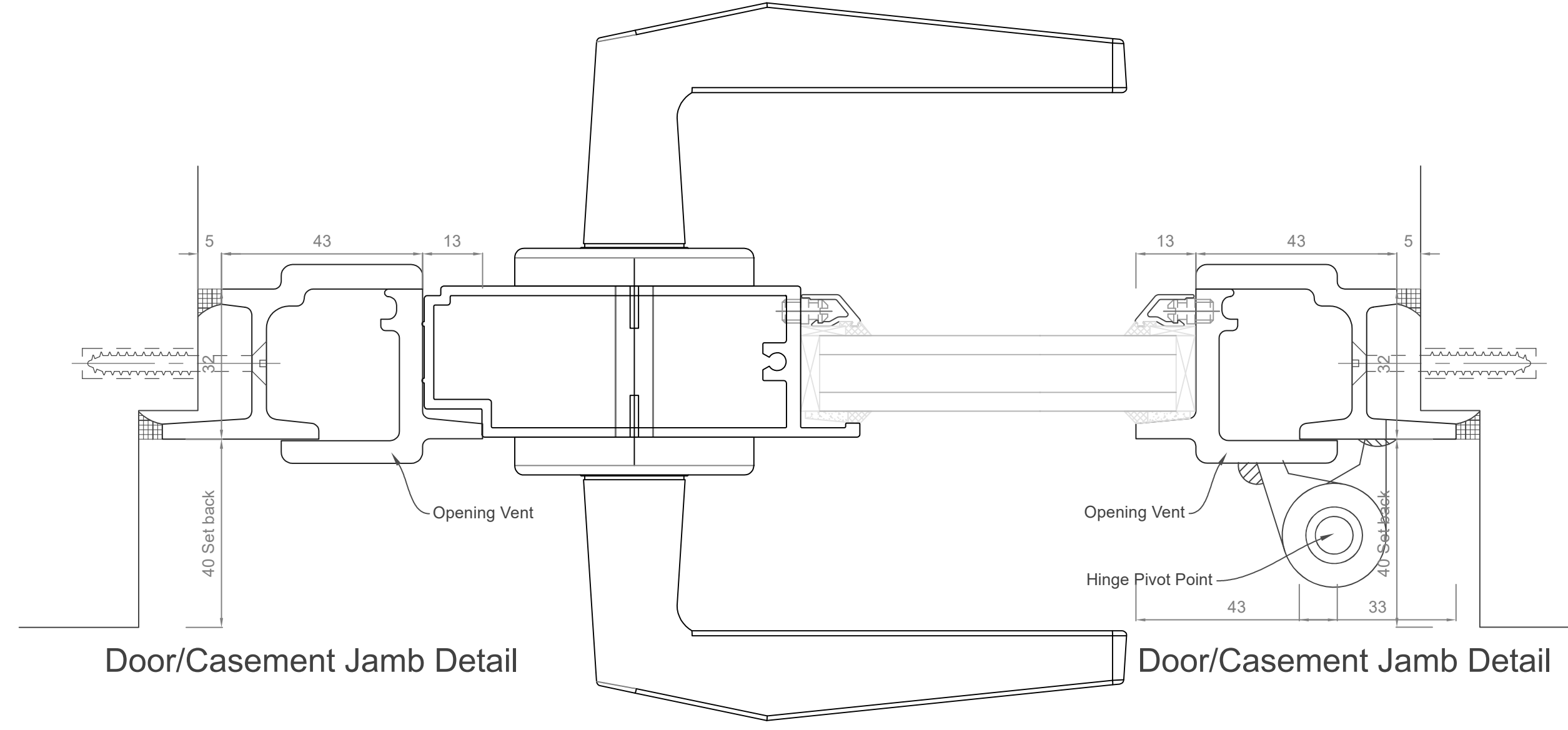
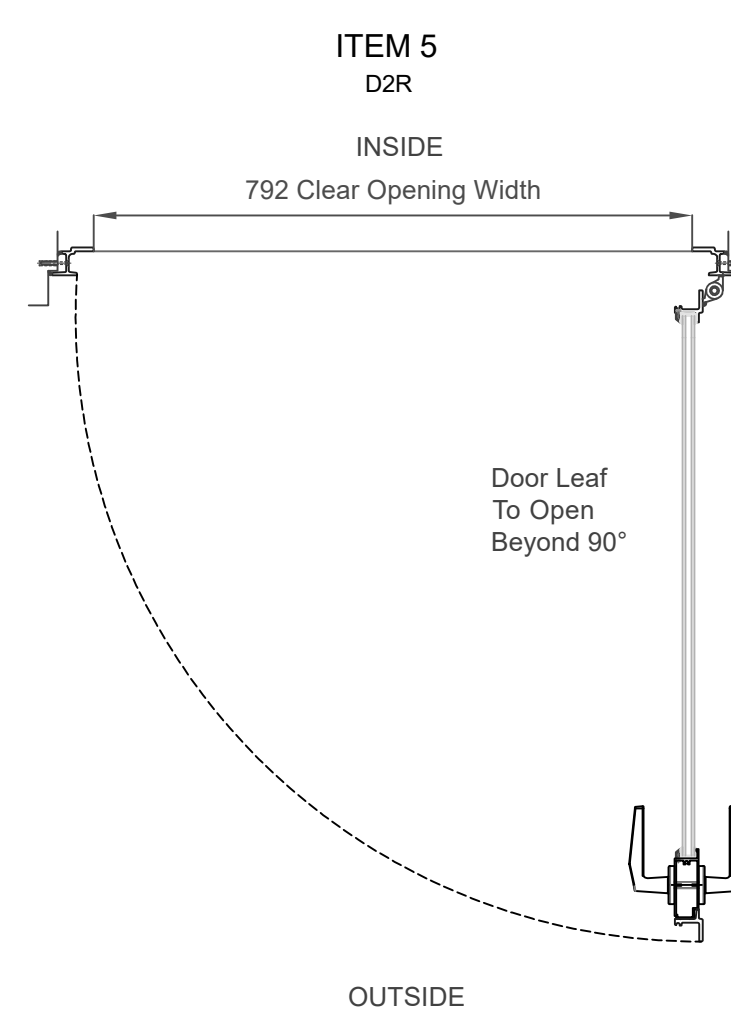
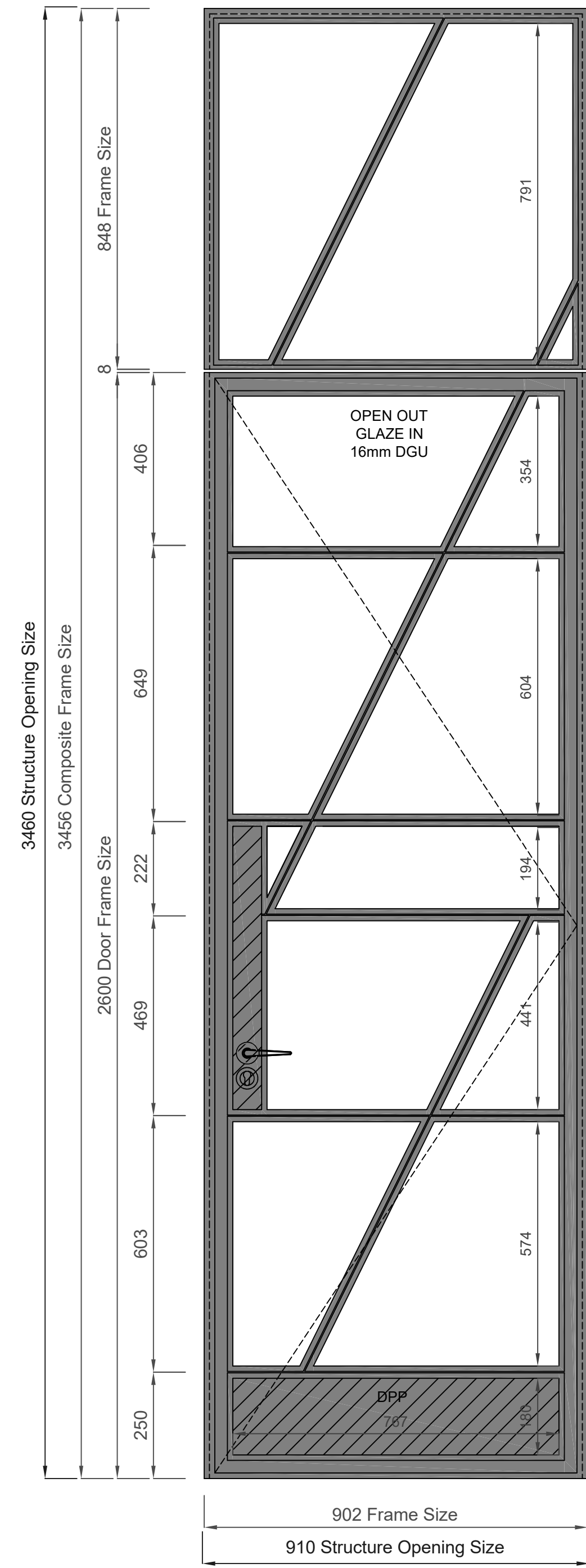
Sheet Number: **4** Items: **1** Revision: **R-B**

Client Approval Signature

Please Note:

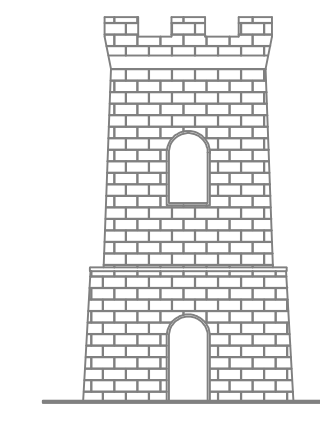
- Any necessary making good to be by others
- Door stops to be fitted by others, as necessary.
- Cabin eyes/hooks supplied & fitted by others, to suit.

All Elevations Are Viewed From Outside



Fixed Light Detail

**SPECIFICATION:**  
**ELEVATIONS** - VIEWED FROM OUTSIDE  
**SECTIONS** - W20 STEEL  
**GLAZING** - GLAZED IN 12321 BEAD FOR 16mm DGU  
**GLAZING BARS** - WT2/9811 SECTION  
**HANGING** - DOOR HUNG ON 3 S/A HINGES PER LEAF  
  
 1 PAIR: PHOENIX DOOR LEVER ON ROSE IN AN TBC COLOUR FINISH.  
 IMPERIAL EURO PROFILE LOCK IN 12004 LOCK HOUSING  
 THUMBURNS - TBC FINISH  
**FIXED AND GLAZED BY VERITAS GLAZING SOLUTIONS.**  
**PAINT FINISH** - RAL8080 MATT - BRONZE.  
**SILICON COLOUR BLACK**  
**GLASS SPECIFICATION** -  
 EXTERNAL: 4mm TOUGHENED LOW IRON  
 CAVITY: 8mm KRYPTON **BLACK SPACER**  
 INTERNAL: 4mm TOUGHENED PLANITHERM TOTAL +  
  
 WE USE SAFETY GLASS AS STANDARD FOR IMPROVED SECURITY AND SAFETY. THESE WILL BE VISIBLY MARKED IN THE BOTTOM CORNER OF EACH PANE TO COMPLY WITH CURRENT BUILDING REGULATIONS.



**VERITAS**  
 Glazing Solutions Ltd.

All Dimensions Are In Millimeters  
 All Dimensions To Be Checked On-Site  
 Scale@A1: 1:1 & 1:8 - DO NOT SCALE SIZES OFF DRAWINGS

Client Name: **Maison Etc Ltd** Project No.: **VGS23027**

Installation Address:  
**Penkridge Hall**  
**Leebotwood**  
**Church Stretton, Shropshire**  
**SY6 6LZ**

Designer: **Sam Meadham** Surveyor: **Ben Turner**

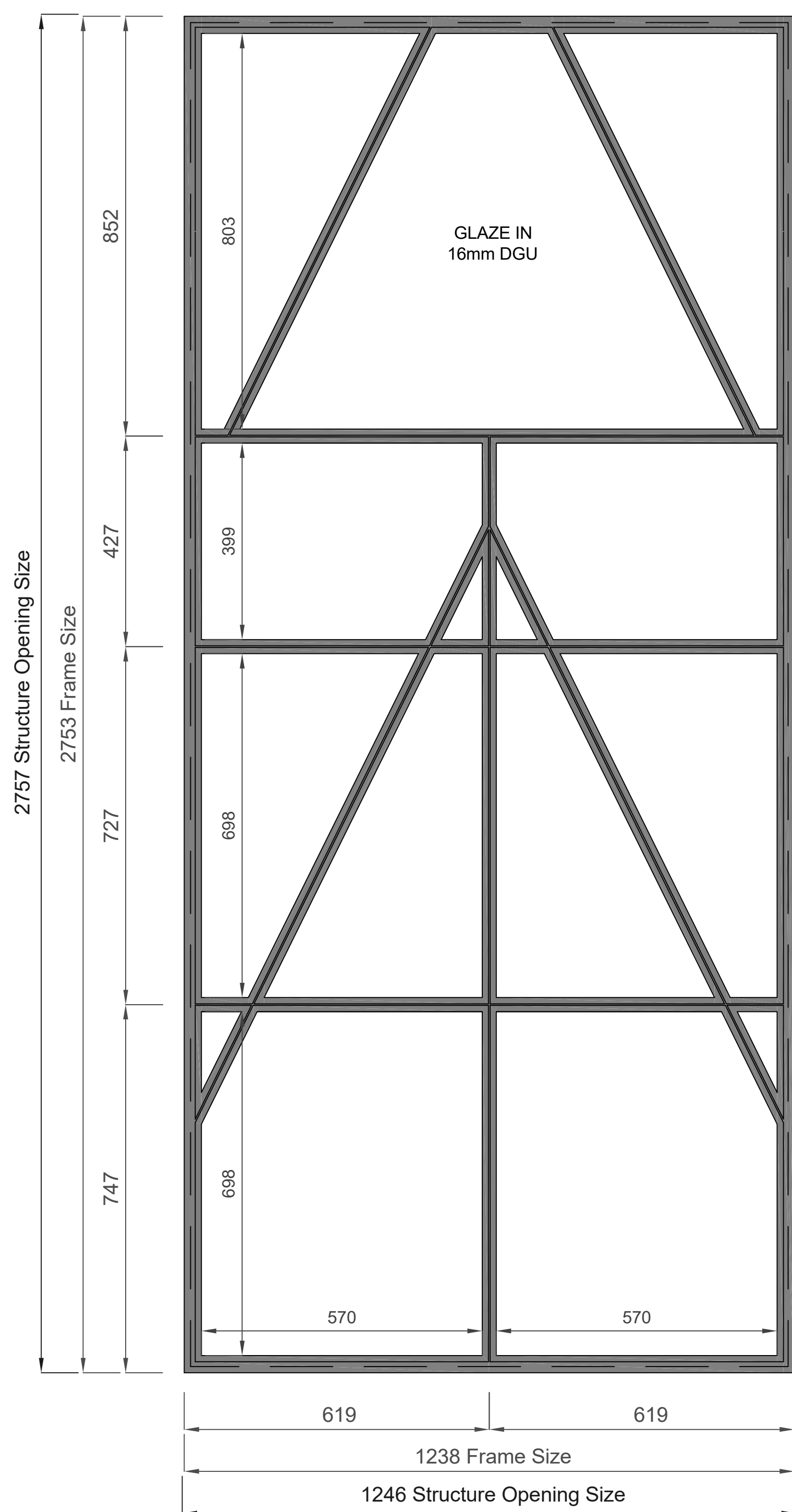
Detailer: **Taene Candido** Date: **13/10/2023**

Sheet Number: **5** Items: **1** Revision: **R-B**

Client Approval Signature

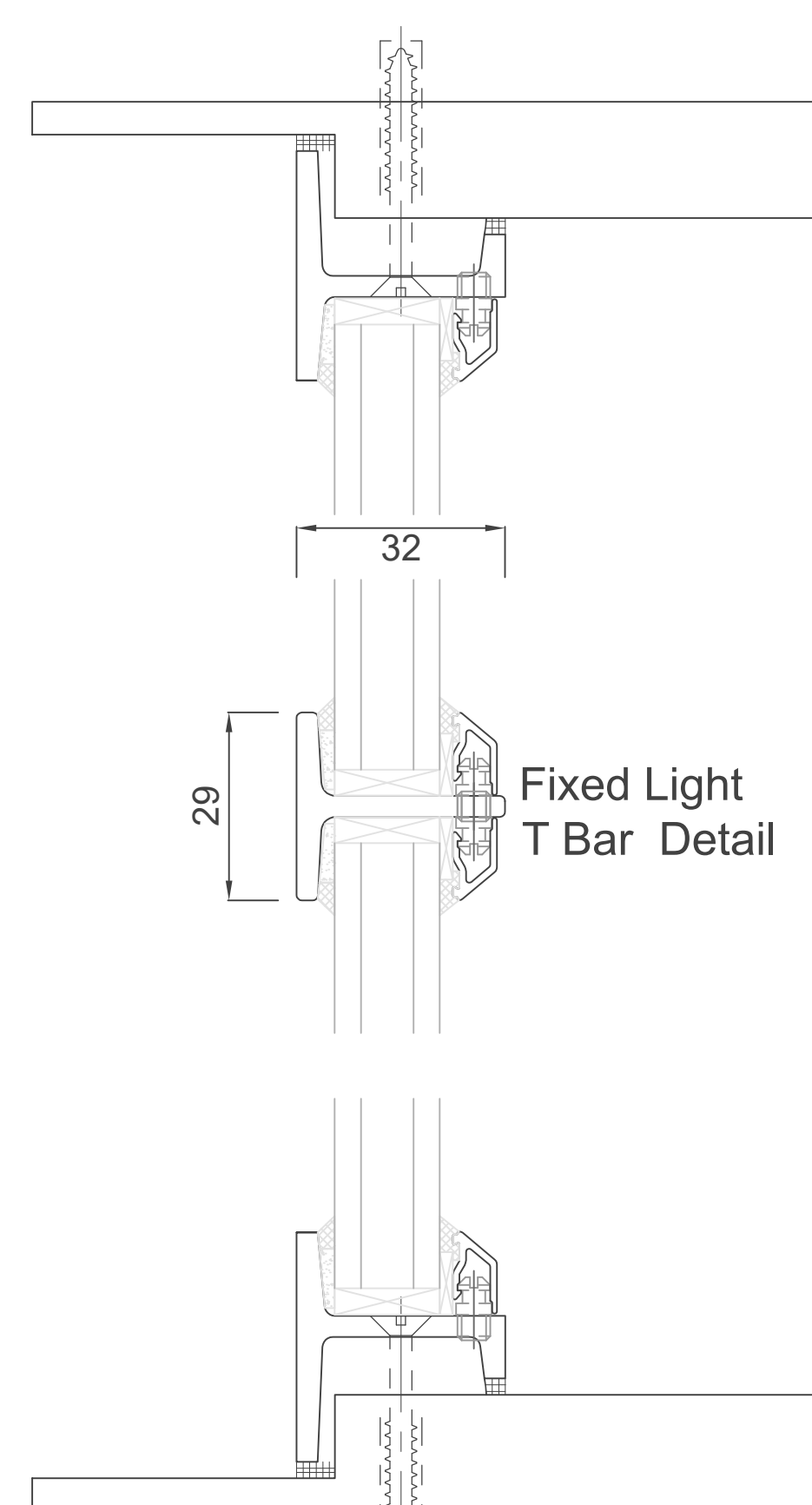
- Please Note:
- Any necessary making good to be by others
  - Door stops to be fitted by others, as necessary.
  - Cabin eyes/hooks supplied & fitted by others, to suit.

All Elevations Are Viewed From Outside

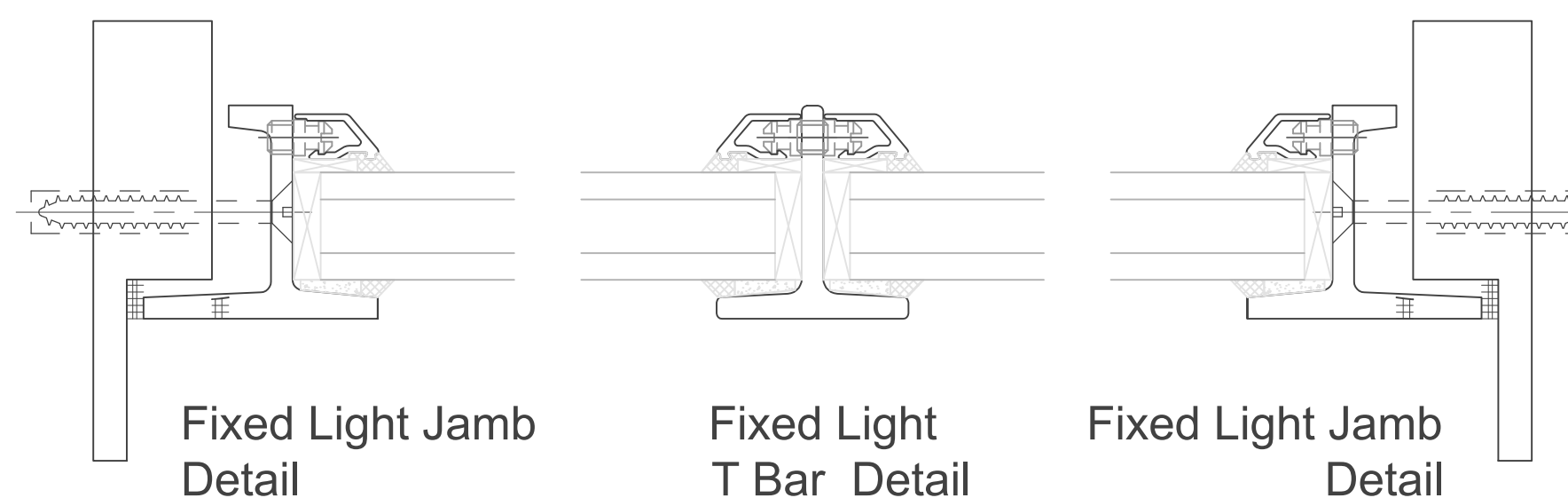


ITEM 6  
W3

Fixed Light Detail

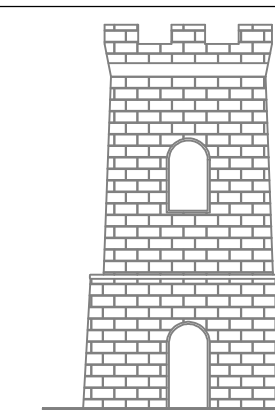


Fixed Light Detail



**SPECIFICATION:**  
**ELEVATIONS** - VIEWED FROM OUTSIDE  
**SECTIONS** - CRITTALL - W20 STEEL  
**GLAZING** - GLAZED IN 12321 BEAD FOR 16mm DGU  
**GLAZING BARS** - WT2/9811 SECTION  
**FIXED AND GLAZED BY VERITAS GLAZING SOLUTIONS.**  
**PAINT FINISH** - RAL8080 MATT - BRONZE.  
**SILICON COLOUR BLACK**  
**GLASS SPECIFICATION -**  
 EXTERNAL: 4mm TOUGHENED LOW IRON  
 CAVITY: 8mm KRYPTON **BLACK SPACER**  
 INTERNAL: 4mm TOUGHENED PLANITHERM TOTAL +

WE USE SAFETY GLASS AS STANDARD FOR IMPROVED SECURITY AND SAFETY. THESE WILL BE VISIBLY MARKED IN THE BOTTOM CORNER OF EACH PANE TO COMPLY WITH CURRENT BUILDING REGULATIONS.



**VERITAS**  
Glazing Solutions Ltd.

All Dimensions Are In Millimeters  
 All Dimensions To Be Checked On-Site  
 Scale@A1: 1:1 & 1:8 - DO NOT SCALE SIZES OFF DRAWINGS

Client Name	Project No.
Maison Etc Ltd	VGS23027

Installation Address  
 Penkridge Hall  
 Leebotwood  
 Church Stretton, Shropshire  
 SY6 6LZ

Designer	Surveyor
Sam Meadham	Ben Turner
Detailer	Date
Taene Candido	13/10/2023

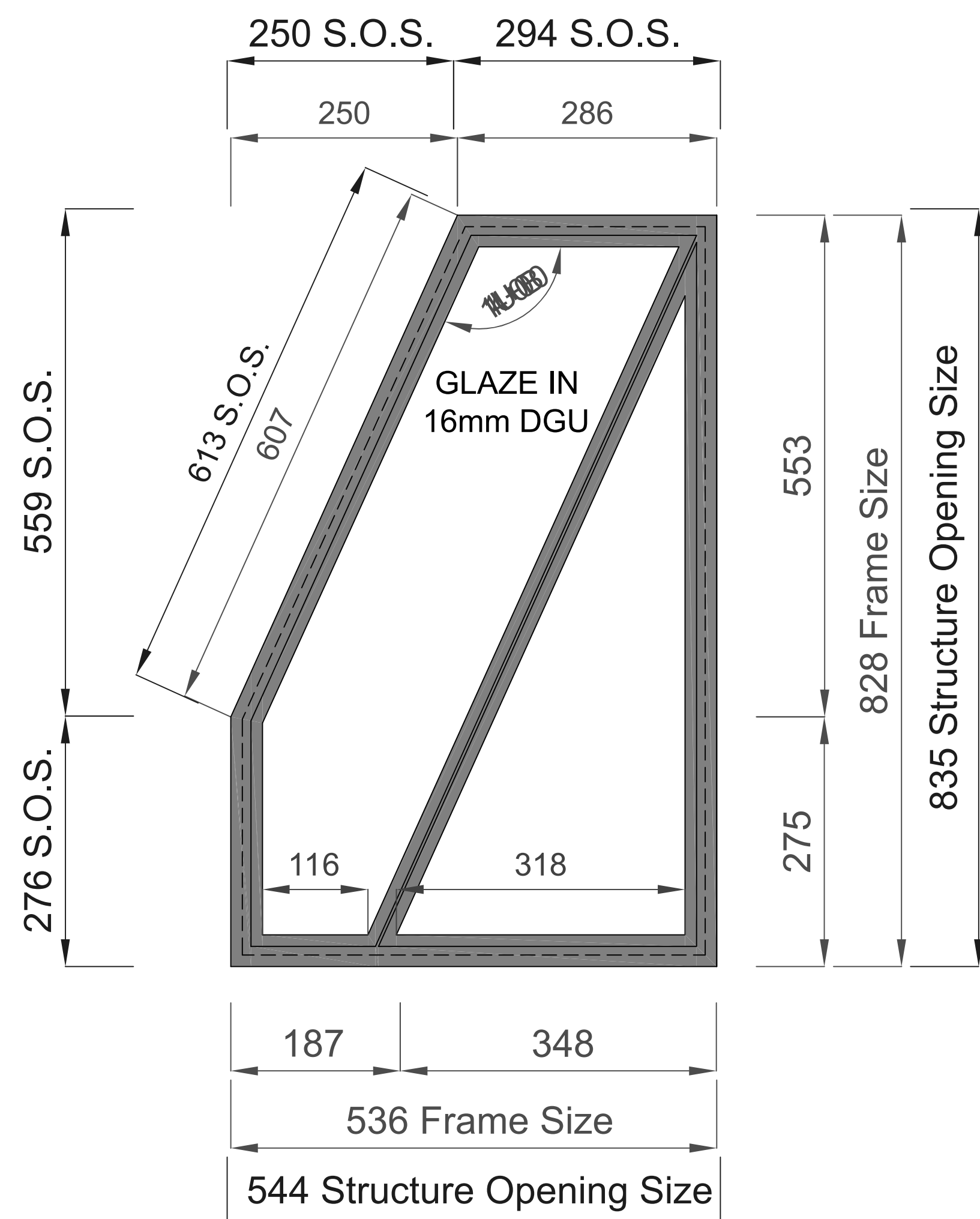
Sheet Number	Items	Revision
6	1	R-B

Client Approval Signature

Please Note:

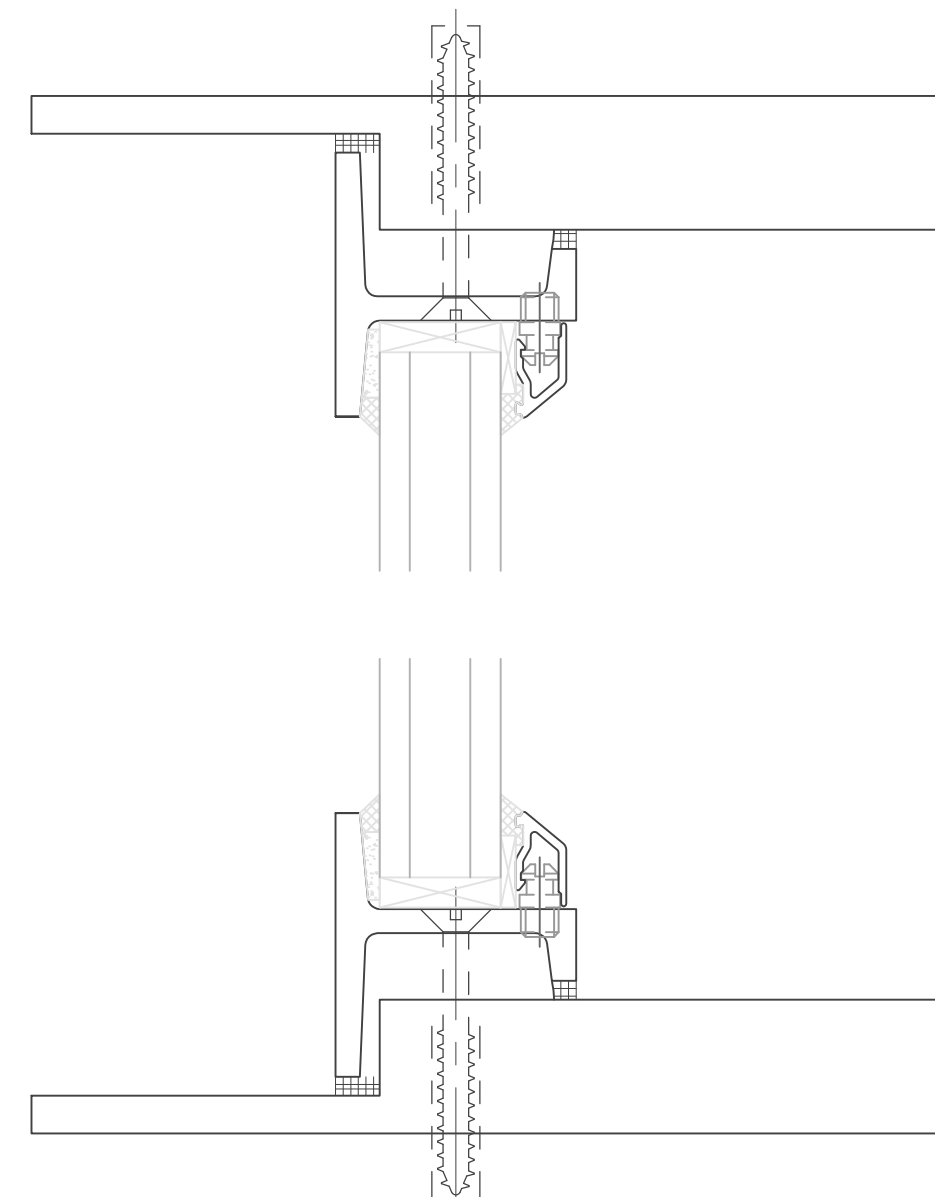
- Any necessary making good to be by others

All Elevations Are Viewed From Outside

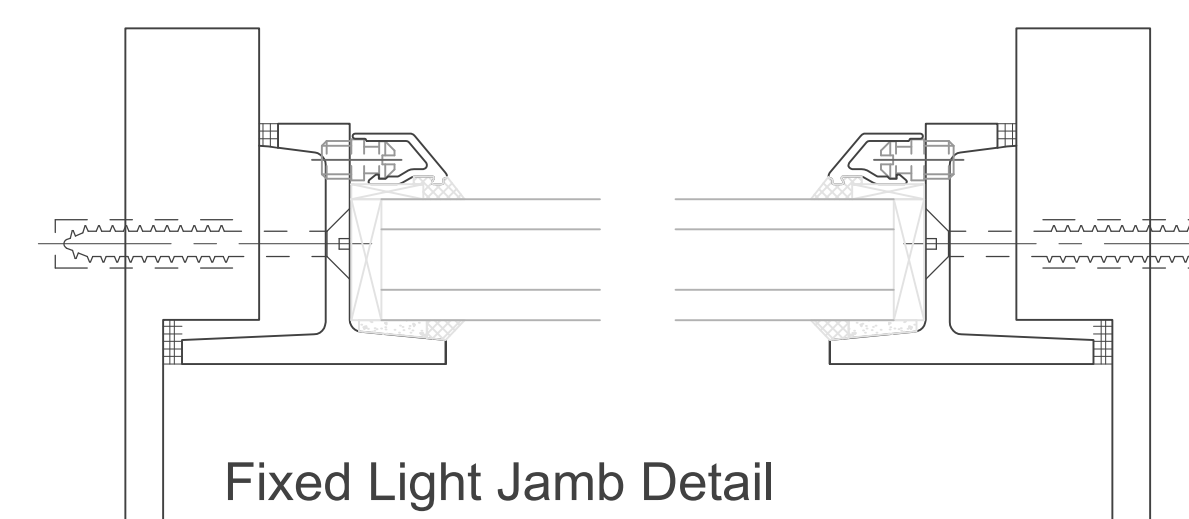


ITEM 7  
W4

Fixed Light Detail



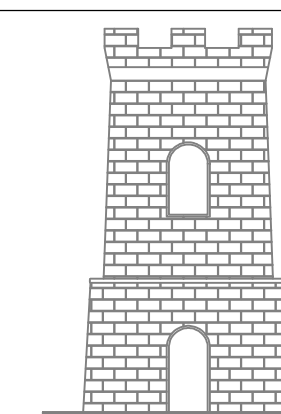
Fixed Light Detail



Fixed Light Jamb Detail

**SPECIFICATION:**  
**ELEVATIONS** - VIEWED FROM OUTSIDE  
**SECTIONS** - CRITTALL - W20 STEEL  
**GLAZING** - GLAZED IN 12321 BEAD FOR 16mm DGU  
**GLAZING BARS** - WT2/9811 SECTION  
**FIXED AND GLAZED BY VERITAS GLAZING SOLUTIONS.**  
**PAINT FINISH** - RAL8080 MATT - BRONZE.  
**SILICON COLOUR BLACK**  
**GLASS SPECIFICATION** -  
 EXTERNAL: 4mm TOUGHENED LOW IRON  
 CAVITY: 8mm KRYPTON **BLACK SPACER**  
 INTERNAL: 4mm TOUGHENED PLANITHERM TOTAL +

WE USE SAFETY GLASS AS STANDARD FOR IMPROVED SECURITY AND SAFETY. THESE WILL BE VISIBLY MARKED IN THE BOTTOM CORNER OF EACH PANE TO COMPLY WITH CURRENT BUILDING REGULATIONS.



**VERITAS**  
Glazing Solutions Ltd.

All Dimensions Are In Millimeters  
 All Dimensions To Be Checked On-Site  
 Scale@A1: 1:1 & 1:8 - DO NOT SCALE SIZES OFF DRAWINGS

Client Name	Project No.
Maison Etc Ltd	VGS23027

Installation Address  
 Penkridge Hall  
 Leebotwood  
 Church Stretton, Shropshire  
 SY6 6LZ

Designer	Surveyor
Sam Meadham	Ben Turner
Detailer	Date
Taene Candido	13/10/2023

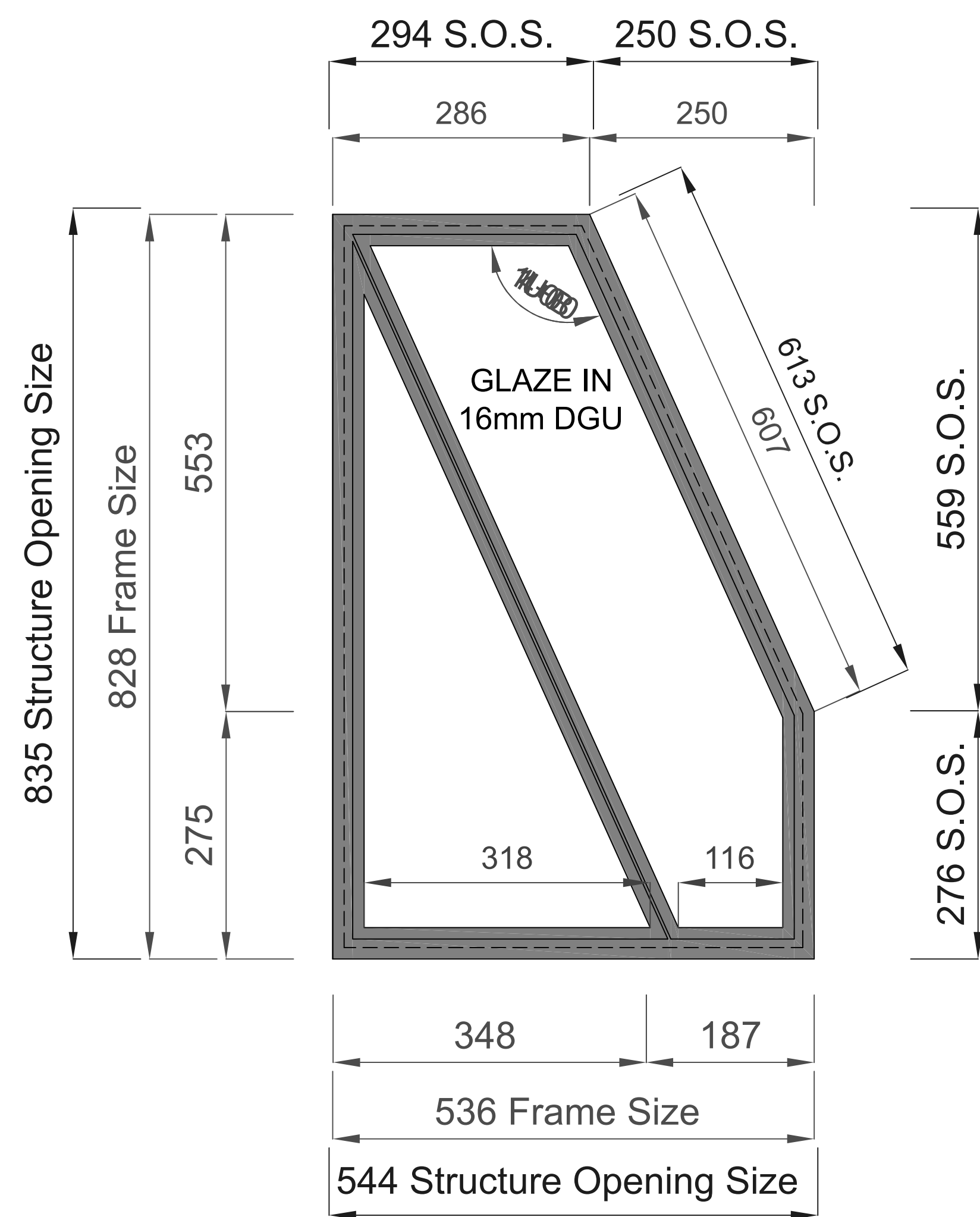
Sheet Number	Items	Revision
7	1	R-B

Client Approval Signature

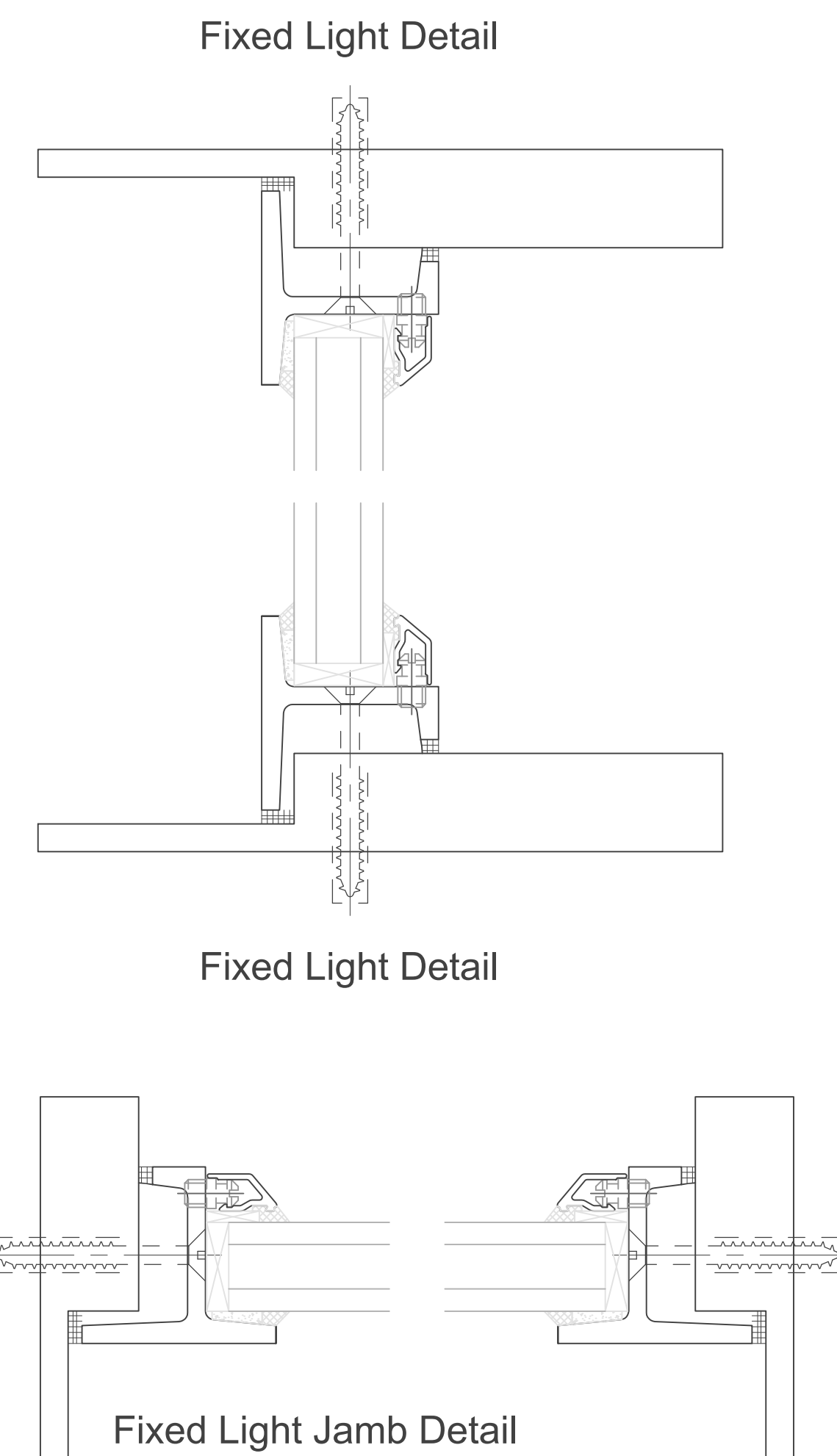
Please Note:

- Any necessary making good to be by others

All Elevations Are Viewed From Outside

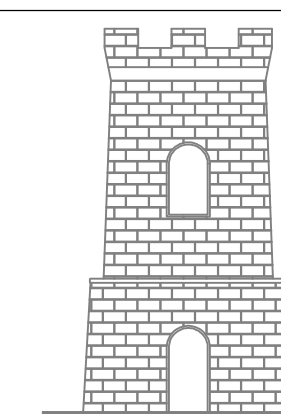


ITEM 8  
W5



**SPECIFICATION:**  
**ELEVATIONS** - VIEWED FROM OUTSIDE  
**SECTIONS** - CRITTALL - W20 STEEL  
**GLAZING** - GLAZED IN 12321 BEAD FOR 16mm DGU  
**GLAZING BARS** - WT2/9811 SECTION  
**FIXED AND GLAZED BY VERITAS GLAZING SOLUTIONS.**  
**PAINT FINISH** - RAL8080 MATT - BRONZE.  
**SILICON COLOUR BLACK**  
**GLASS SPECIFICATION** -  
 EXTERNAL: 4mm TOUGHENED LOW IRON  
 CAVITY: 8mm KRYPTON **BLACK SPACER**  
 INTERNAL: 4mm TOUGHENED PLANITHERM TOTAL +

WE USE SAFETY GLASS AS STANDARD FOR IMPROVED SECURITY AND SAFETY. THESE WILL BE VISIBLY MARKED IN THE BOTTOM CORNER OF EACH PANE TO COMPLY WITH CURRENT BUILDING REGULATIONS.



**VERITAS**  
Glazing Solutions Ltd.

All Dimensions Are In Millimeters  
 All Dimensions To Be Checked On-Site  
 Scale@A1: 1:1 & 1:8 - DO NOT SCALE SIZES OFF DRAWINGS

Client Name	Project No.
Maison Etc Ltd	VGS23027

Installation Address  
 Penkridge Hall  
 Leebotwood  
 Church Stretton, Shropshire  
 SY6 6LZ

Designer	Surveyor
Sam Meadham	Ben Turner
Detailer	Date
Taene Candido	13/10/2023

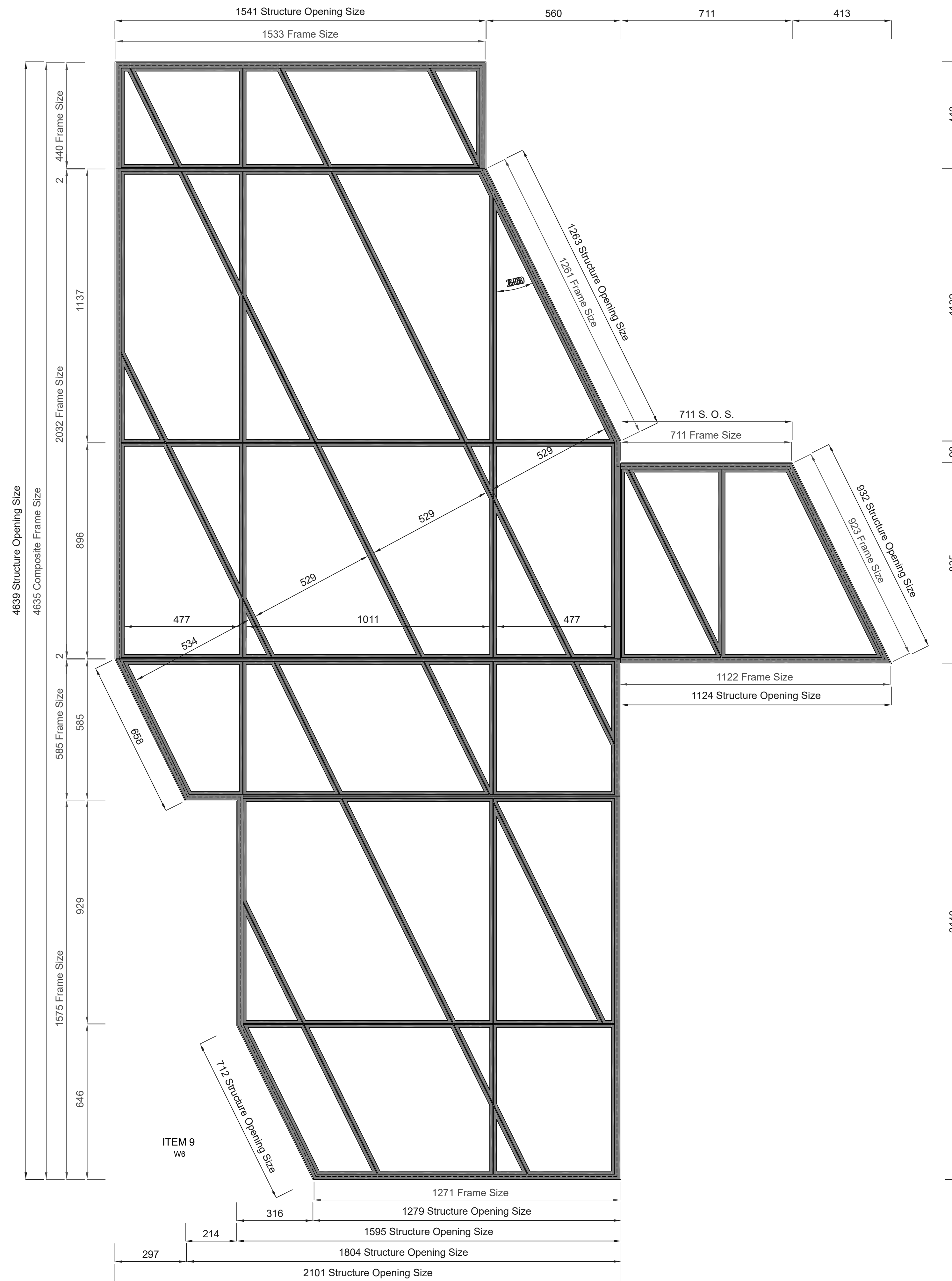
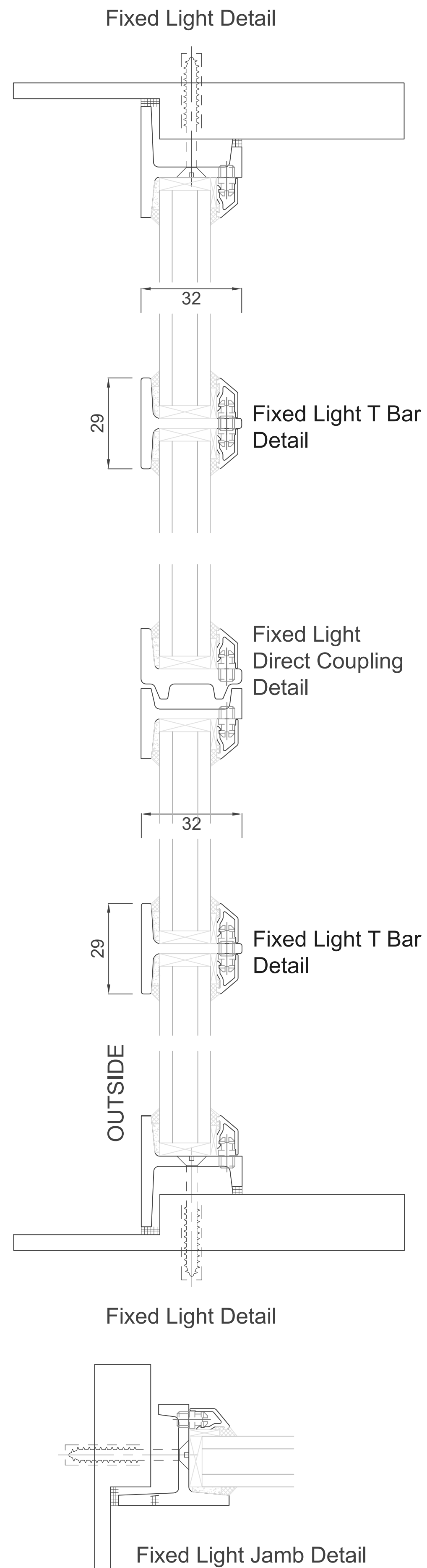
Sheet Number	Items	Revision
8	1	R-B

Client Approval Signature

Please Note:

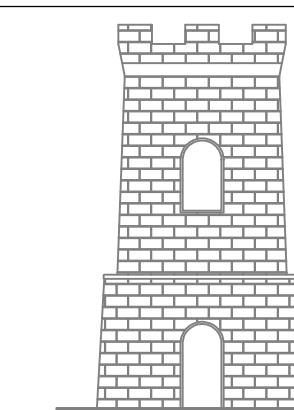
- Any necessary making good to be by others

**All Elevations Are Viewed From Outside**



**SPECIFICATION:**  
**ELEVATIONS** - VIEWED FROM OUTSIDE  
**SECTIONS** - CRITTALL - W20 STEEL  
**GLAZING** - GLAZED IN 12321 BEAD FOR 16mm DGU  
**GLAZING BARS** - WT2/9811 SECTION  
**FIXED AND GLAZED BY VERITAS GLAZING SOLUTIONS.**  
**PAINT FINISH** - RAL8080 MATT - BRONZE.  
**SILICON COLOUR BLACK**  
**GLASS SPECIFICATION -**  
 EXTERNAL: 4mm TOUGHENED LOW IRON  
 CAVITY: 8mm KRYPTON **BLACK SPACER**  
 INTERNAL: 4mm TOUGHENED PLANITHERM TOTAL +

WE USE SAFETY GLASS AS STANDARD FOR IMPROVED SECURITY AND SAFETY. THESE WILL BE VISIBLY MARKED IN THE BOTTOM CORNER OF EACH PANE TO COMPLY WITH CURRENT BUILDING REGULATIONS.



**VERITAS**  
 Glazing Solutions Ltd.

All Dimensions Are In Millimeters  
 All Dimensions To Be Checked On-Site  
 Scale@A1: 1:1 & 1:8 - DO NOT SCALE SIZES OFF DRAWINGS

Client Name	Project No.
Maison Etc Ltd	VGS23027

Installation Address  
 Penkridge Hall  
 Leebotwood  
 Church Stretton, Shropshire  
 SY6 6LZ

Designer	Surveyor
Sam Meadham	Ben Turner

Detailer	Date
Taene Candido	13/10/2023

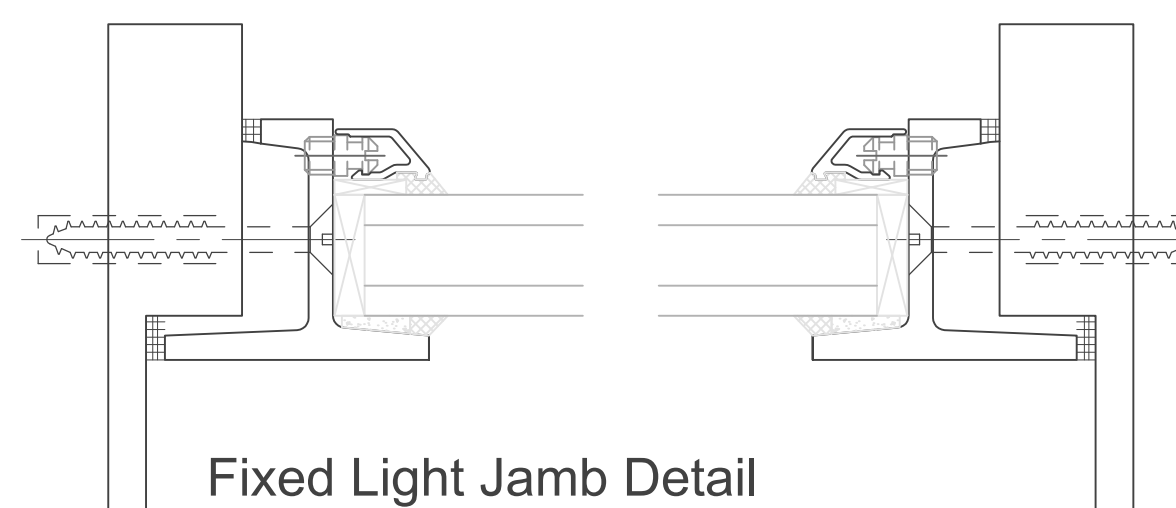
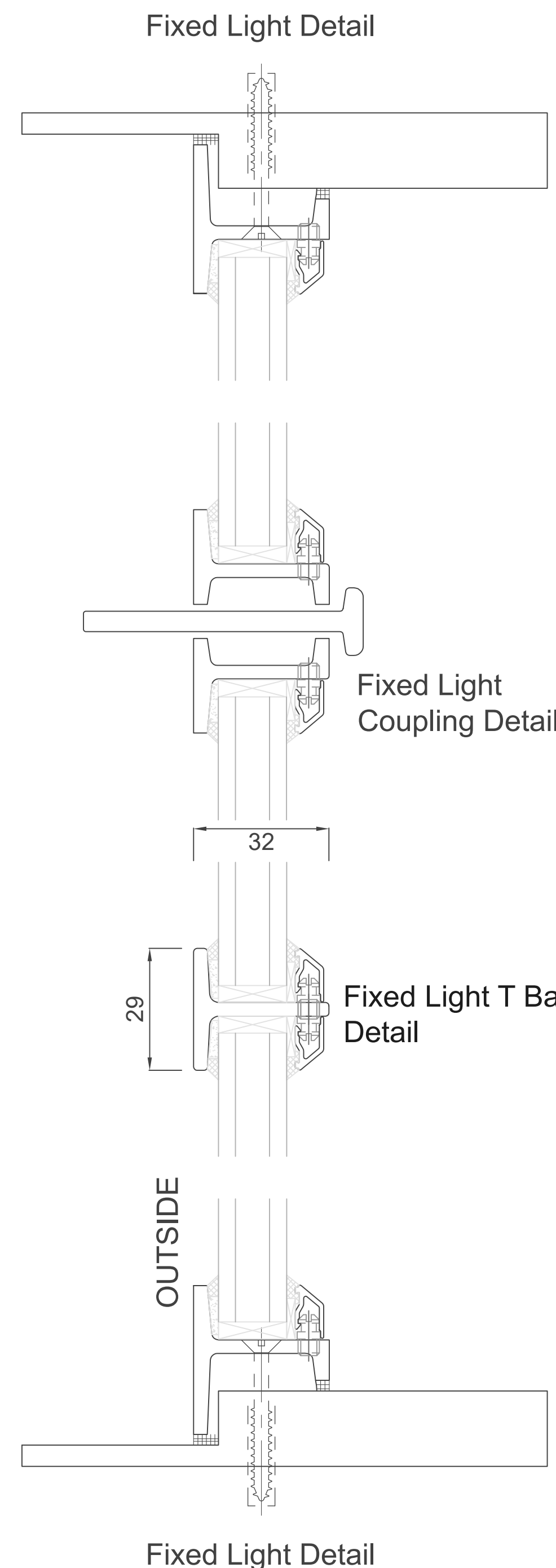
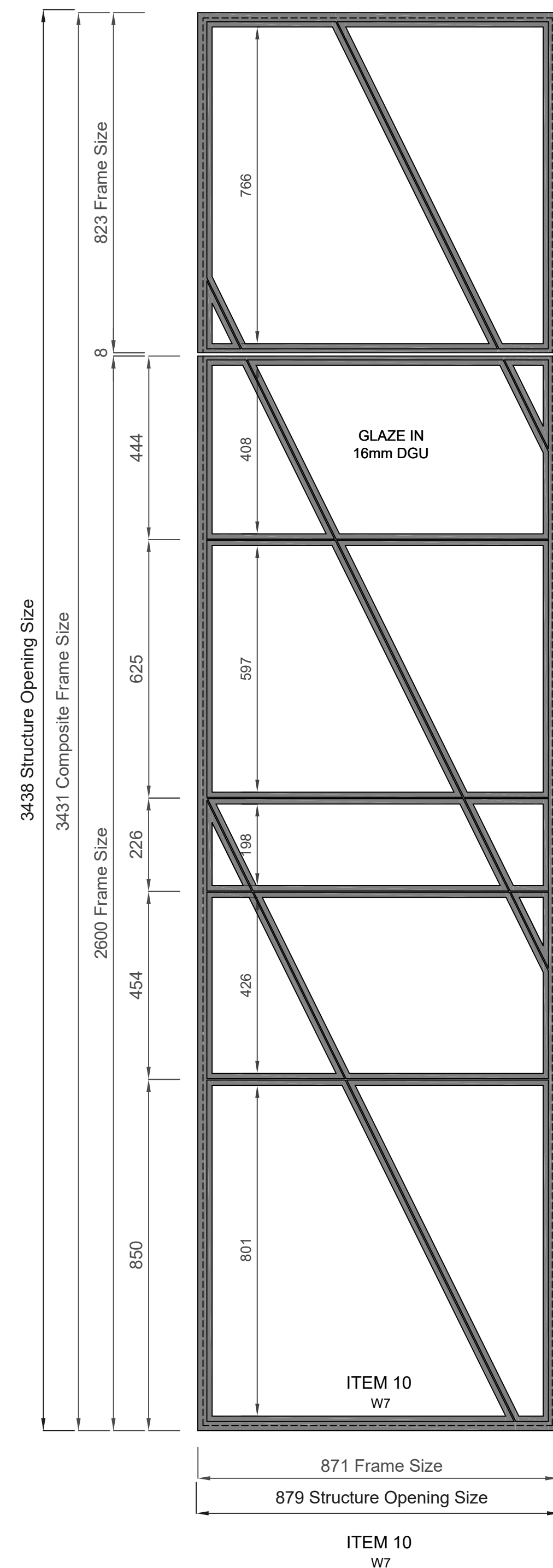
Sheet Number	Items	Revision
9	1	R-B

Client Approval Signature

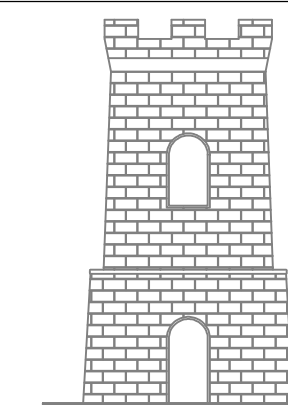
Please Note:  
 1. Any necessary making good to be by others



All Elevations Are Viewed From Outside



**SPECIFICATION:**  
**ELEVATIONS** - VIEWED FROM OUTSIDE  
**SECTIONS** - CRITTALL - W20 STEEL  
**GLAZING** - GLAZED IN 12321 BEAD FOR 16mm DGU  
**GLAZING BARS** - WT2/9811 SECTION  
**FIXED AND GLAZED BY VERITAS GLAZING SOLUTIONS.**  
**PAINT FINISH** - RAL8080 MATT - BRONZE.  
**SILICON COLOUR BLACK**  
**GLASS SPECIFICATION** -  
 EXTERNAL: 4mm TOUGHENED LOW IRON  
 CAVITY: 8mm KRYPTON **BLACK SPACER**  
 INTERNAL: 4mm TOUGHENED PLANITHERM TOTAL +  
 WE USE SAFETY GLASS AS STANDARD FOR IMPROVED SECURITY AND SAFETY. THESE WILL BE VISIBLY MARKED IN THE BOTTOM CORNER OF EACH PANE TO COMPLY WITH CURRENT BUILDING REGULATIONS.



**VERITAS**  
Glazing Solutions Ltd.

All Dimensions Are In Millimeters  
 All Dimensions To Be Checked On-Site  
 Scale@A1: 1:1 & 1:8 - DO NOT SCALE SIZES OFF DRAWINGS

Client Name	Project No.
Maison Etc Ltd	VGS23027

Installation Address  
 Penkridge Hall  
 Leebotwood  
 Church Stretton, Shropshire  
 SY6 6LZ

Designer	Surveyor
Sam Meadham	Ben Turner

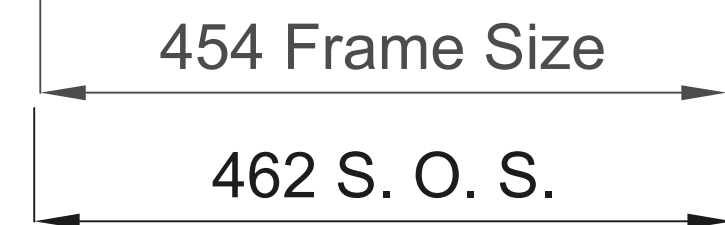
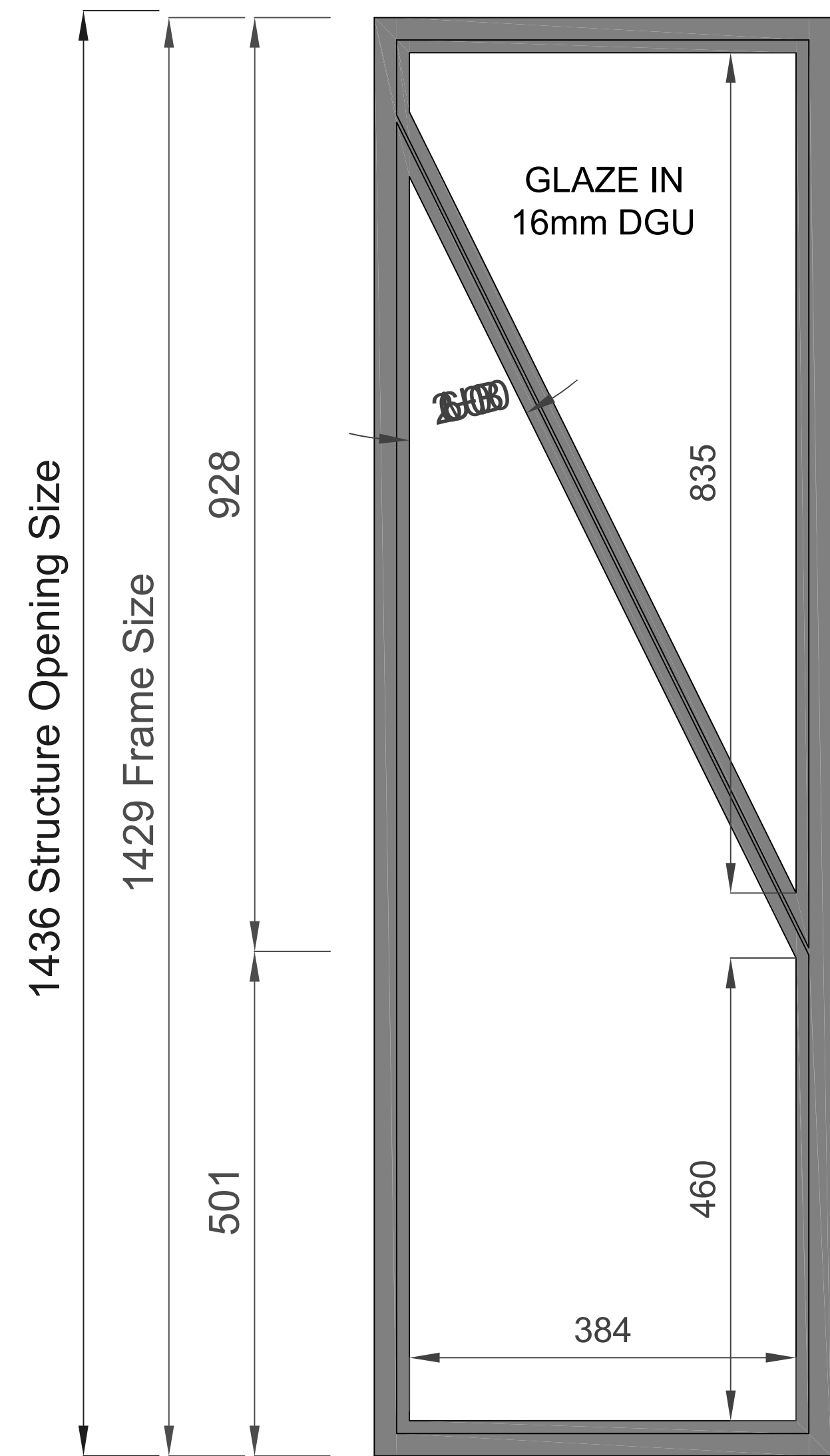
Detailer	Date
Taene Candido	13/10/2023

Sheet Number	Items	Revision
10	1	R-B

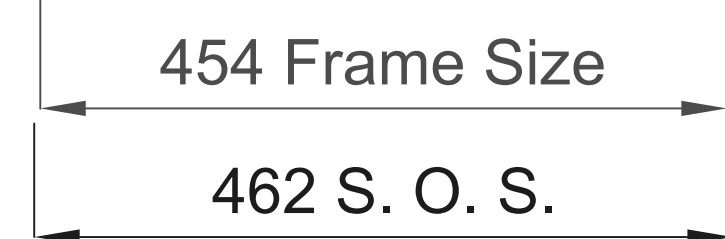
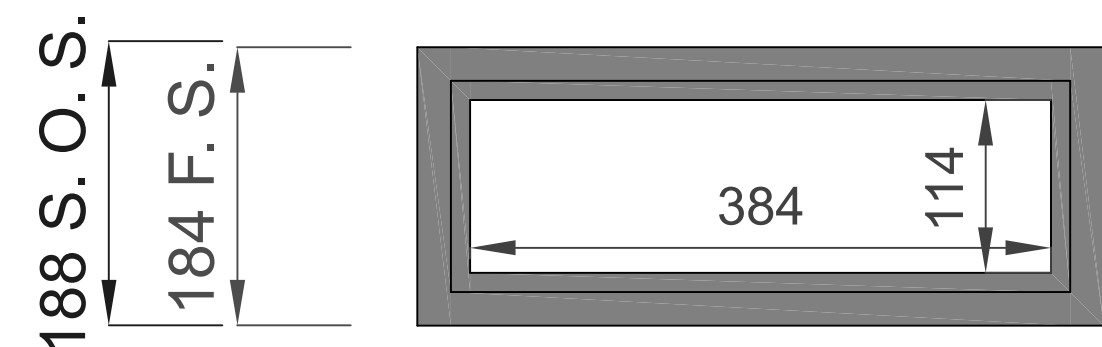
Client Approval Signature

Please Note:  
 1. Any necessary making good to be by others

All Elevations Are Viewed From Outside

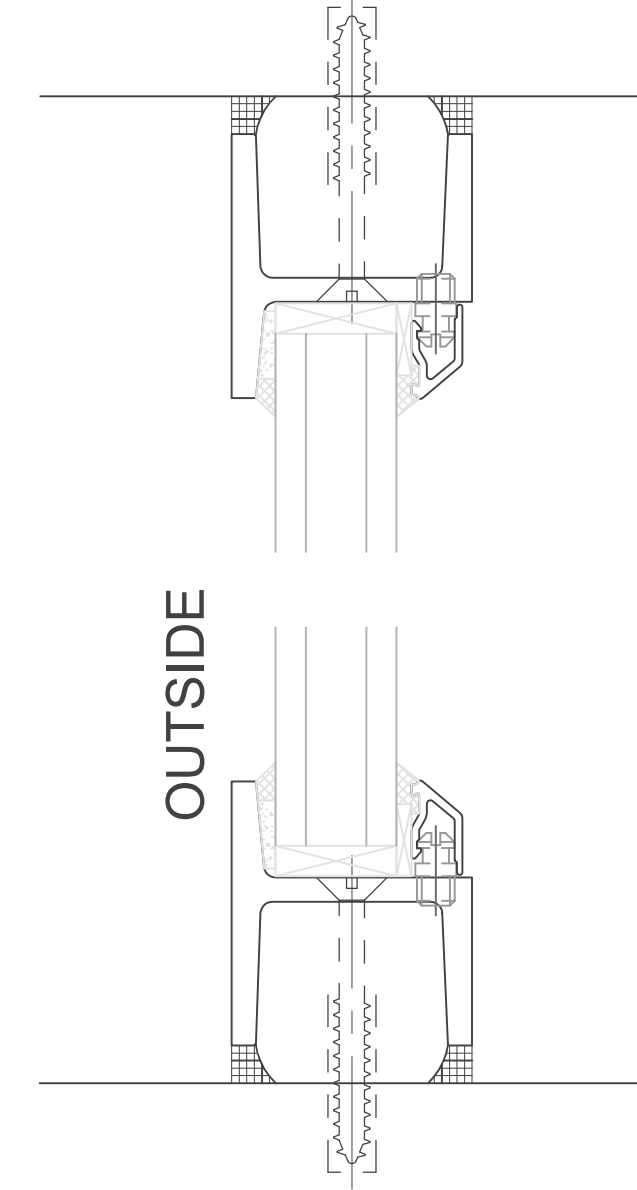


ITEM 11  
W8

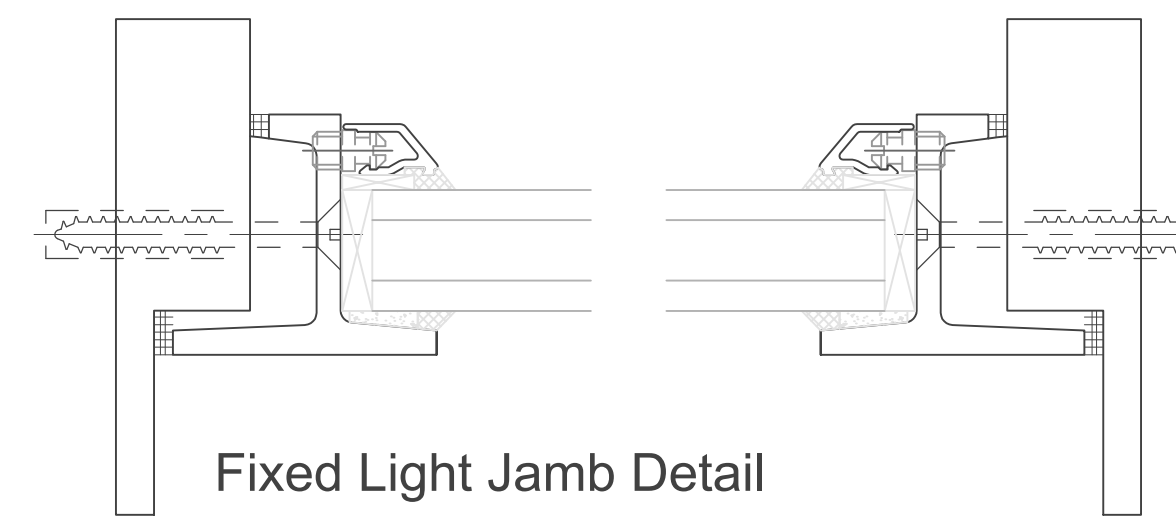


W8A

Fixed Light Jamb Detail

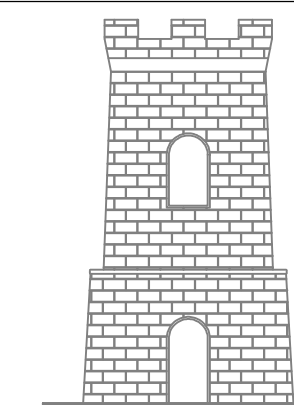


Fixed Light Jamb Detail



Fixed Light Jamb Detail

**SPECIFICATION:**  
**ELEVATIONS** - VIEWED FROM OUTSIDE  
**SECTIONS** - CRITTALL - W20 STEEL  
**GLAZING** - GLAZED IN 12321 BEAD FOR 16mm DGU  
**GLAZING BARS** - WT2/9811 SECTION  
**FIXED AND GLAZED BY VERITAS GLAZING SOLUTIONS.**  
**PAINT FINISH** - RAL8080 MATT - BRONZE.  
**SILICON COLOUR BLACK**  
**GLASS SPECIFICATION** -  
 EXTERNAL: 4mm TOUGHENED LOW IRON  
 CAVITY: 8mm KRYPTON **BLACK SPACER**  
 INTERNAL: 4mm TOUGHENED PLANITHERM TOTAL +  
 WE USE SAFETY GLASS AS STANDARD FOR IMPROVED SECURITY AND SAFETY. THESE WILL BE VISIBLY MARKED IN THE BOTTOM CORNER OF EACH PANE TO COMPLY WITH CURRENT BUILDING REGULATIONS.



**VERITAS**  
Glazing Solutions Ltd.

All Dimensions Are In Millimeters  
 All Dimensions To Be Checked On-Site  
 Scale@A1: 1:1 & 1:8 - DO NOT SCALE SIZES OFF DRAWINGS

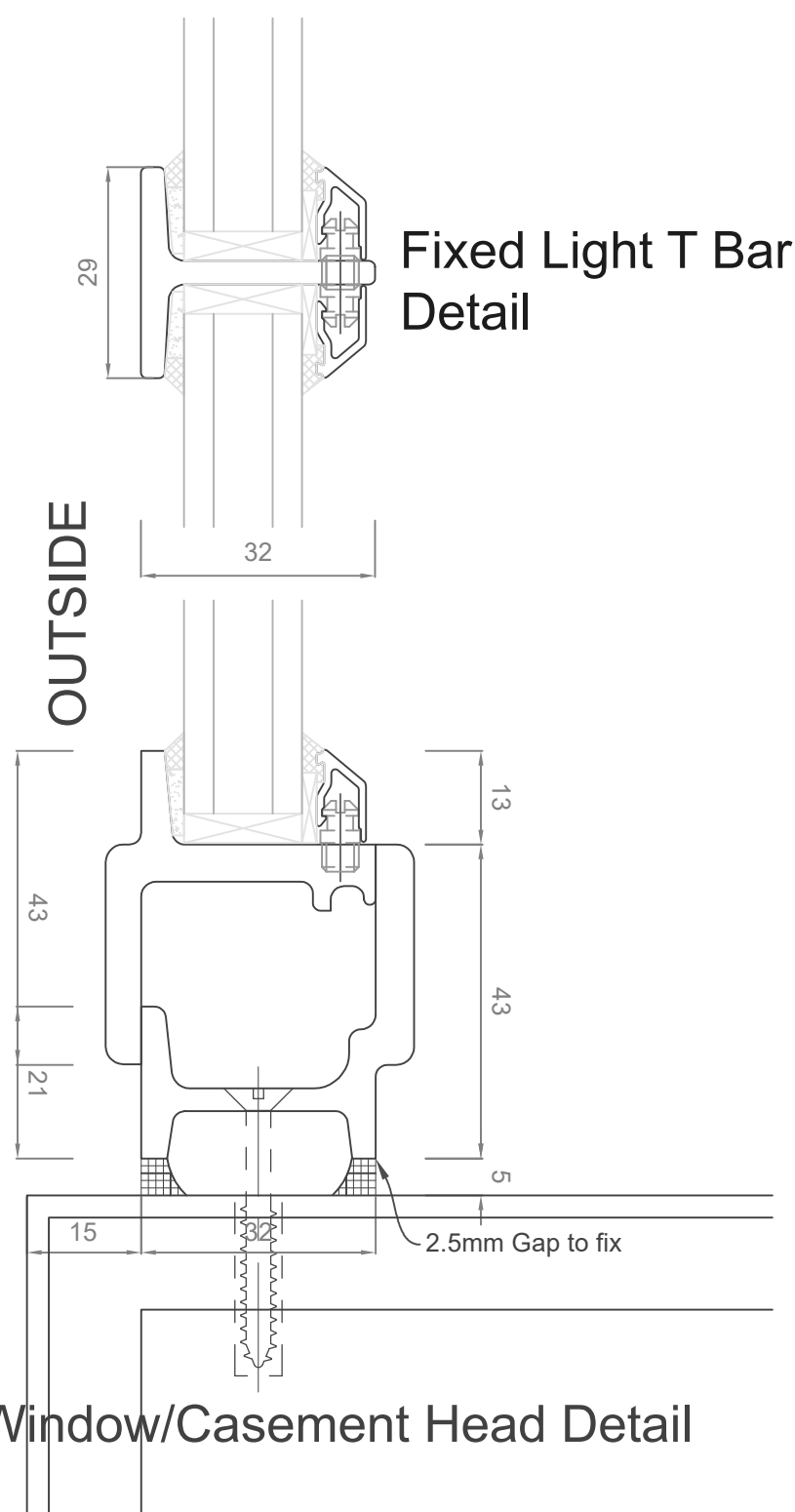
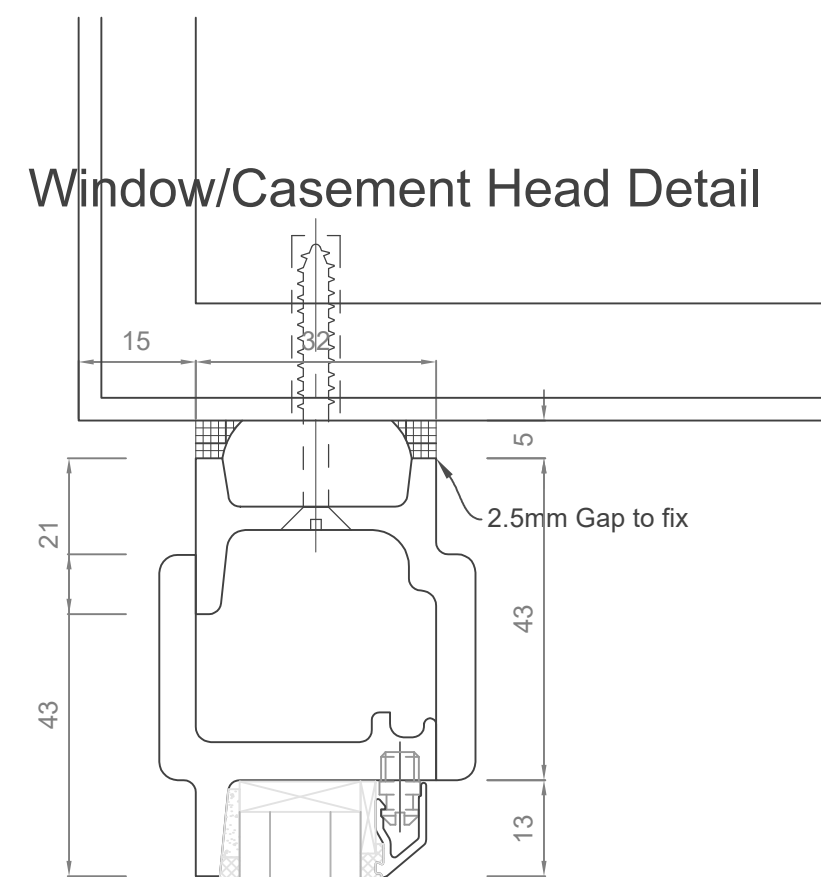
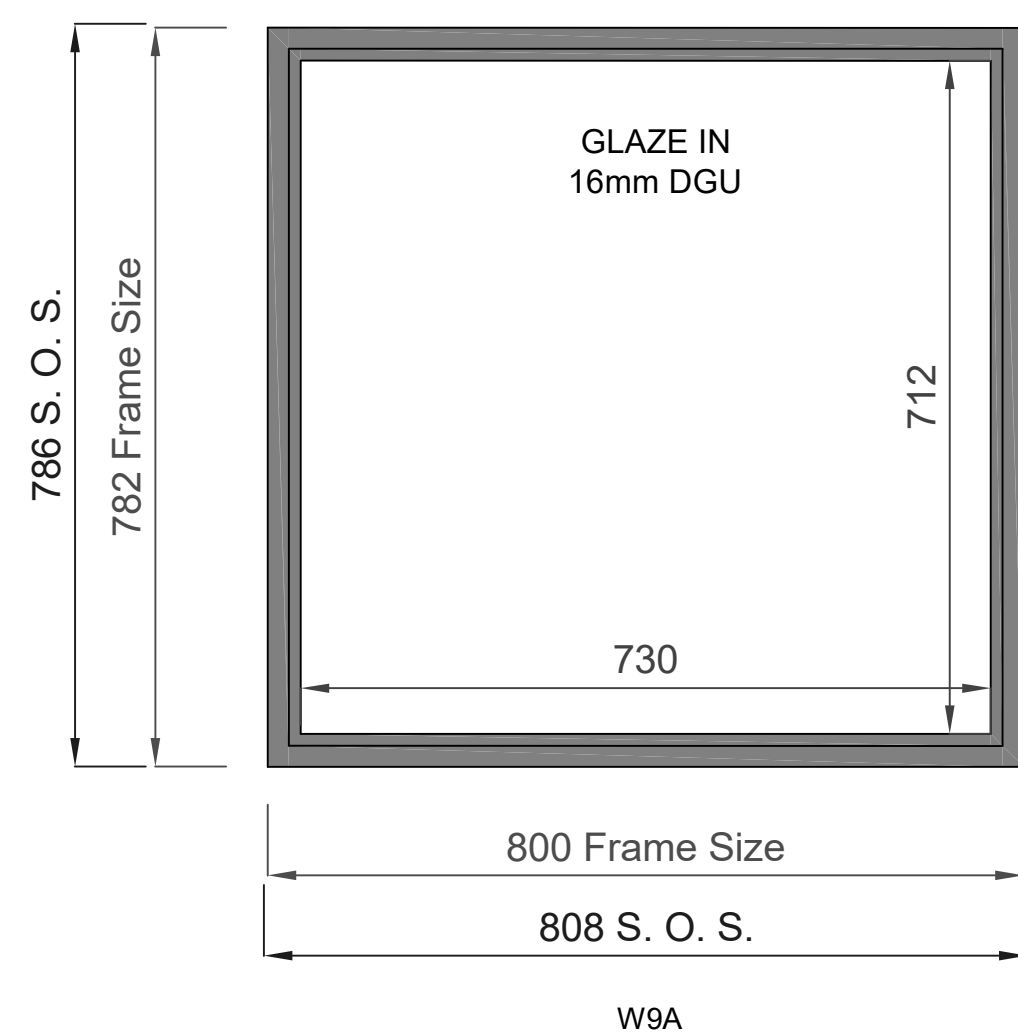
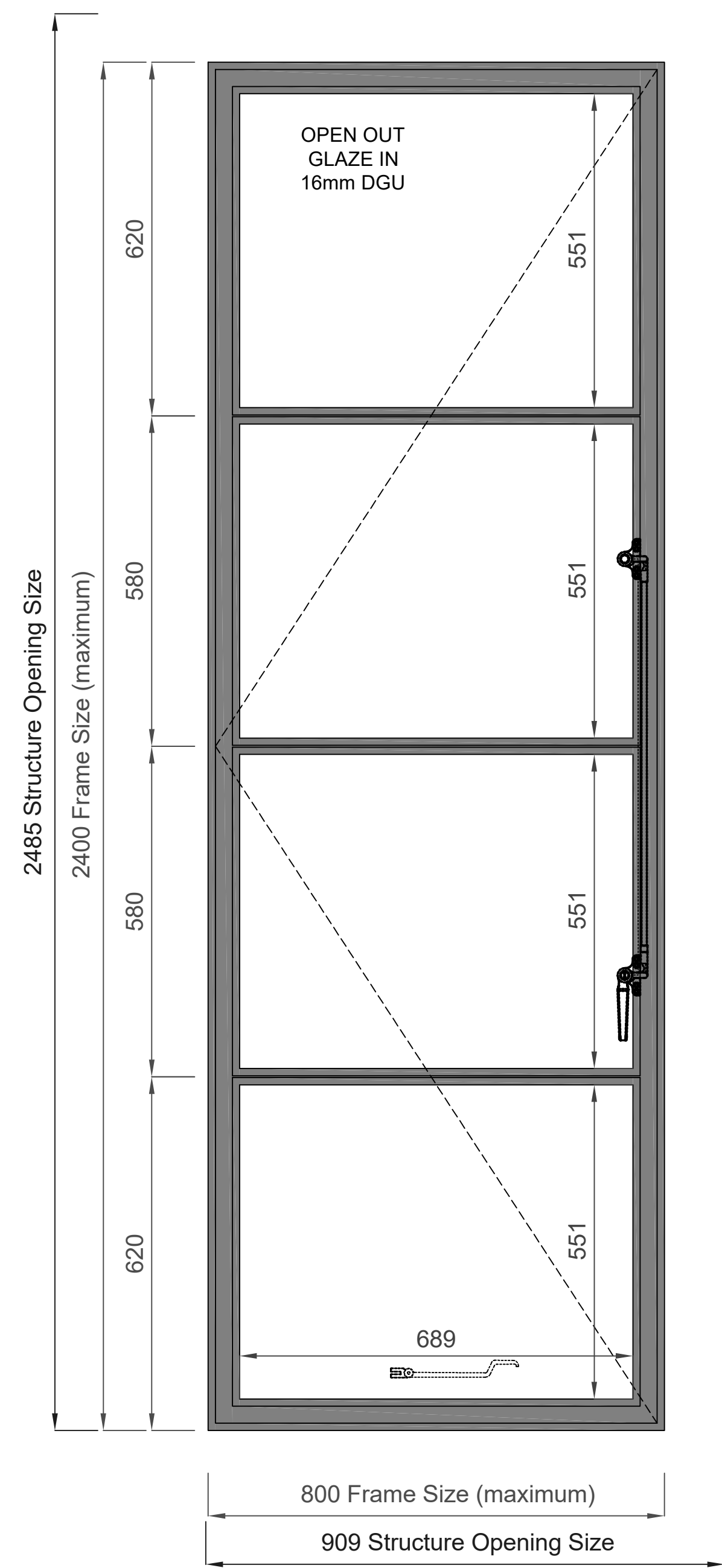
Client Name	Project No.
Maison Etc Ltd	VGS23027

Installation Address  
 Penkridge Hall  
 Leebotwood  
 Church Stretton, Shropshire  
 SY6 6LZ

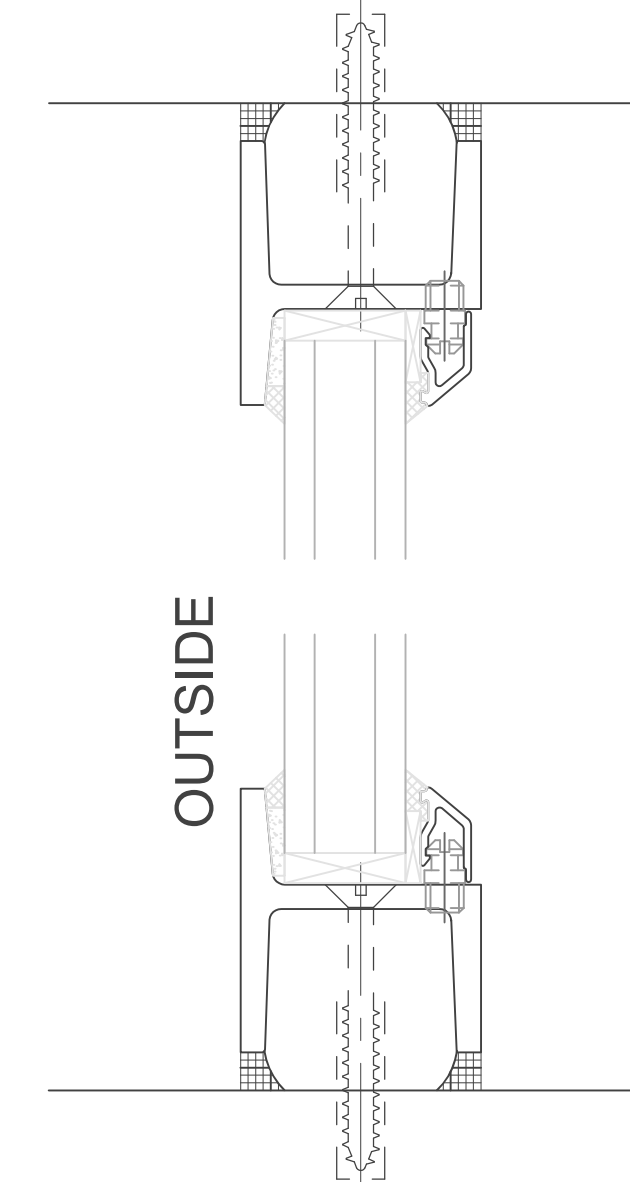
Designer	Surveyor	
Sam Meadham	Ben Turner	
Detailer	Date	
Taene Candido	13/10/2023	
Sheet Number	Items	Revision
11	2	R-B
Client Approval Signature		

Please Note:  
 1. Any necessary making good to be by others

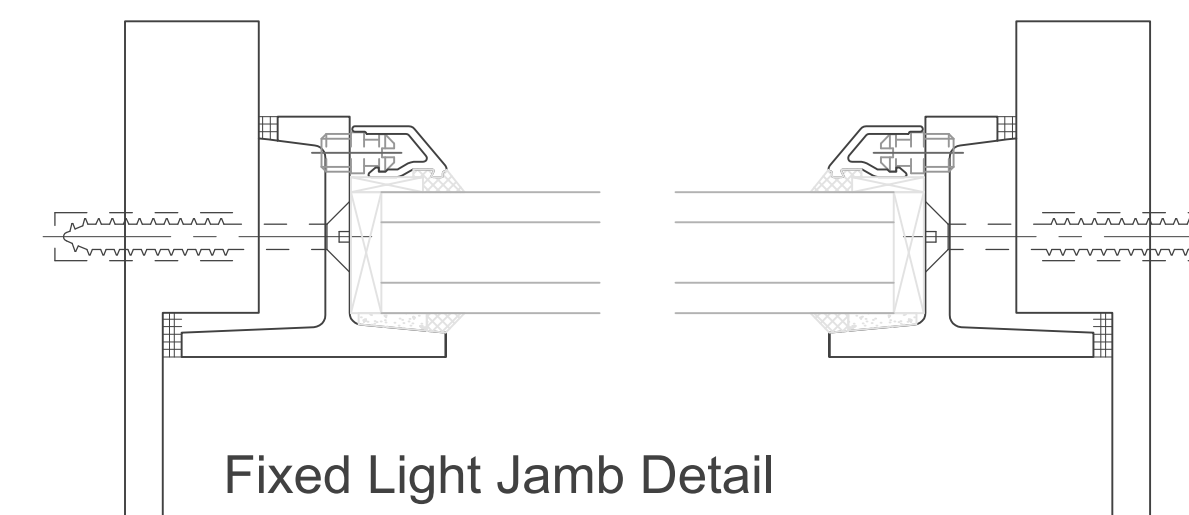
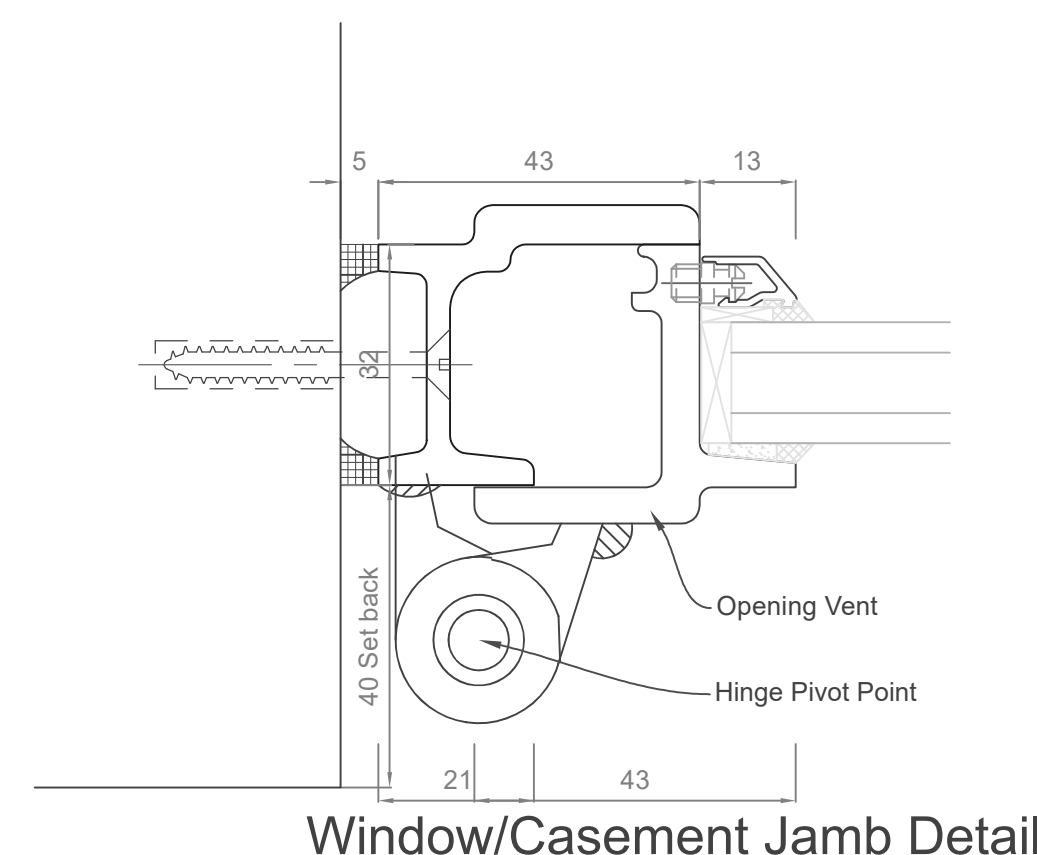
All Elevations Are Viewed From Outside



Fixed Light Jamb Detail

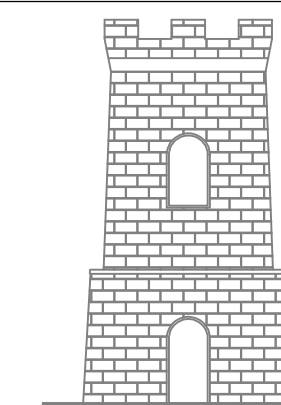


Fixed Light Jamb Detail



**SPECIFICATION:**  
**ELEVATIONS** - VIEWED FROM OUTSIDE  
**SECTIONS** - CRITTALL - W20 STEEL  
**GLAZING** - GLAZED IN 12321 BEAD FOR 16mm DGU  
**GLAZING BARS** - WT2/9811 SECTION  
**FITTINGS** -  
 395 STRAIGHT PEGSTAY IN AN BK (ANTIQUE BLACK) FINISH  
 195 STRAIGHT DUPLEX HANDLE IN AN BK (ANTIQUE BLACK) FINISH  
 NON-PROJ. NON FRIC. - REQs STAY  
 NO RESTRICTORS  
 NO CARRIAGE LOCKS  
**FIXED AND GLAZED BY VERITAS GLAZING SOLUTIONS.**  
**PAINT FINISH** - RAL8080 MATT - BRONZE.  
**SILICON COLOUR BLACK**  
**GLASS SPECIFICATION** -  
 EXTERNAL: 4mm TOUGHENED LOW IRON  
 CAVITY: 8mm KRYPTON **BLACK SPACER**  
 INTERNAL: 4mm TOUGHENED PLANITHERM TOTAL +

WE USE SAFETY GLASS AS STANDARD FOR IMPROVED SECURITY AND SAFETY. THESE WILL BE VISIBLY MARKED IN THE BOTTOM CORNER OF EACH PANE TO COMPLY WITH CURRENT BUILDING REGULATIONS.



**VERITAS**  
Glazing Solutions Ltd.

All Dimensions Are In Millimeters  
 All Dimensions To Be Checked On-Site  
 Scale@A1: 1:1 & 1:8 - DO NOT SCALE SIZES OFF DRAWINGS

Client Name	Project No.
Maison Etc Ltd	VGS23027

Installation Address  
 Penkridge Hall  
 Leebotwood  
 Church Stretton, Shropshire  
 SY6 6LZ

Designer	Surveyor
Sam Meadham	Ashley Davies

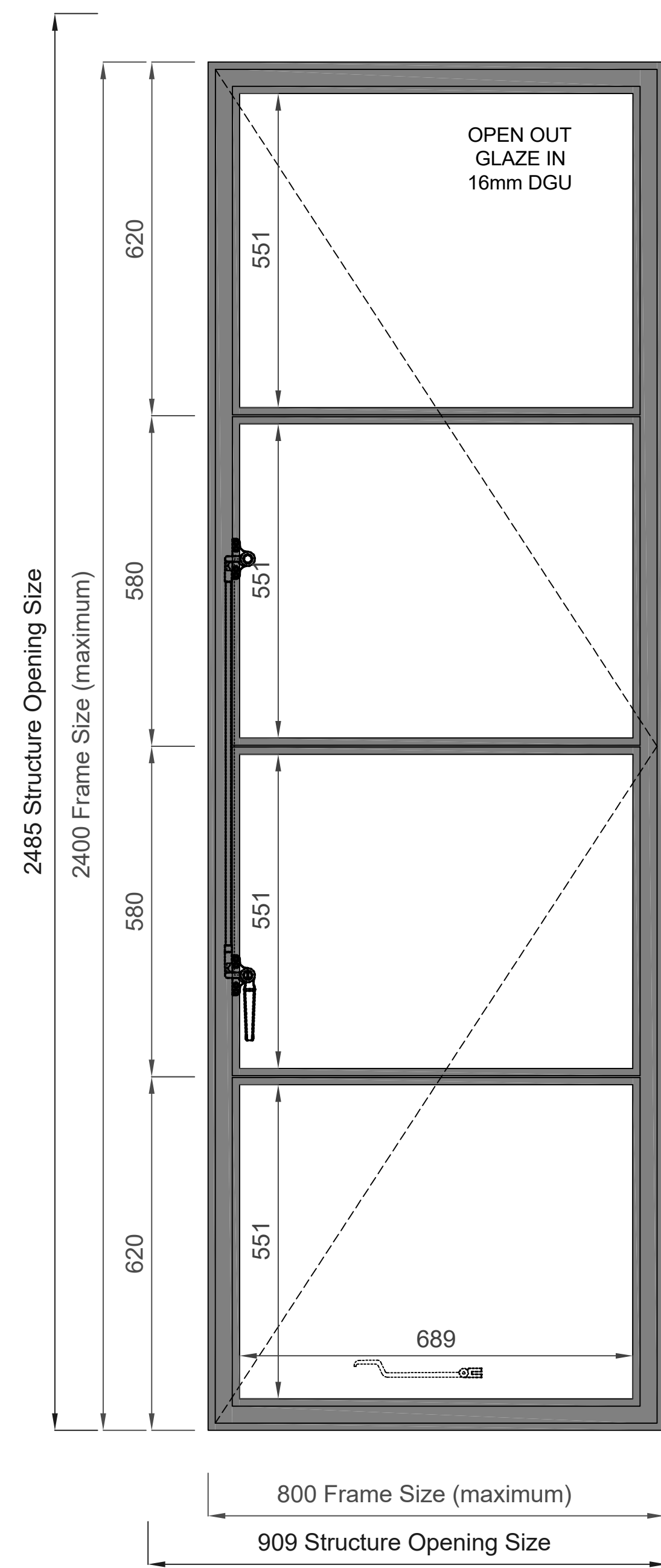
Detailer	Date
Taene Candido	13/10/2023

Sheet Number	Items	Revision
12	2	R-B

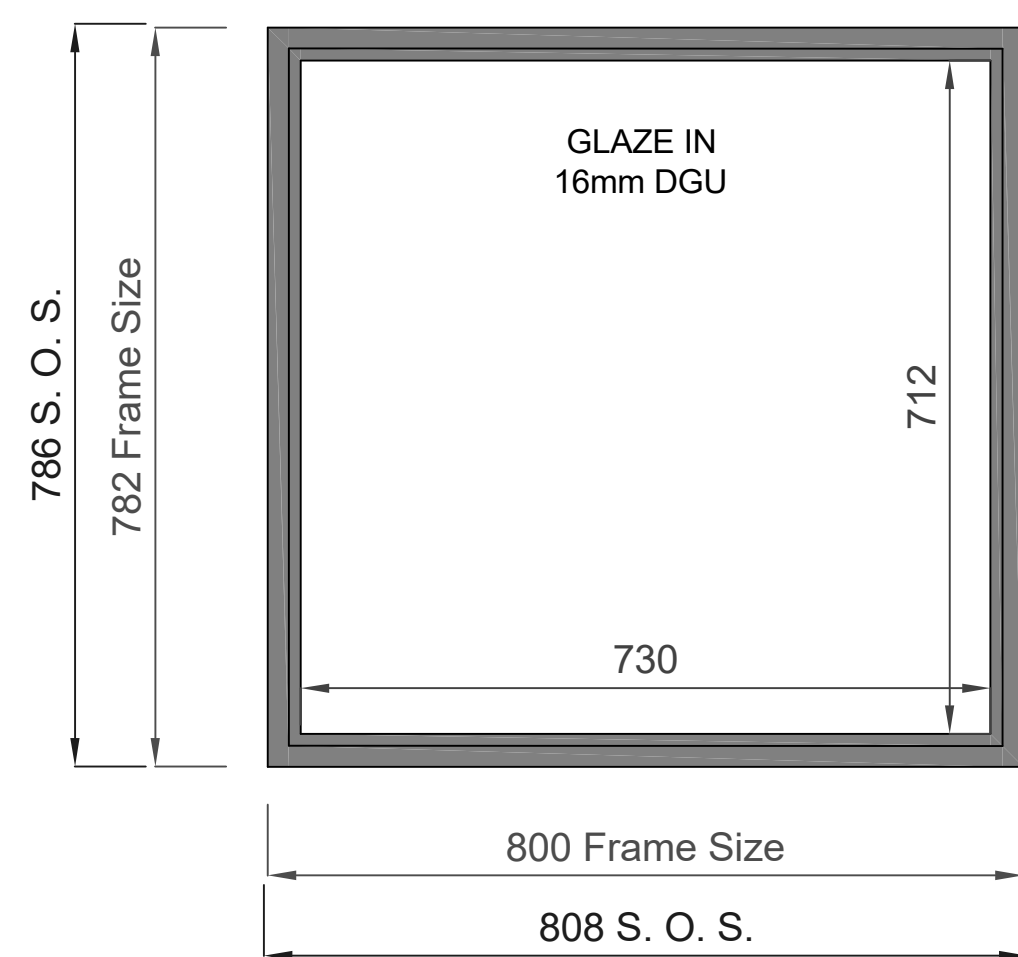
Client Approval Signature

Please Note:  
 1. Any necessary making good to be by others

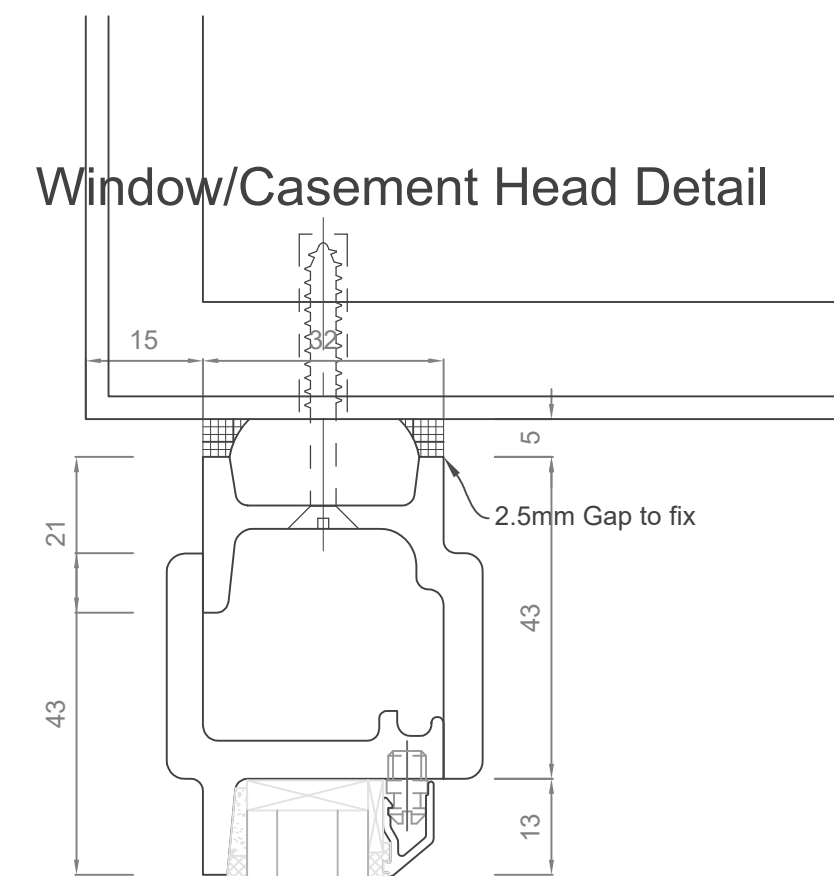
All Elevations Are Viewed From Outside



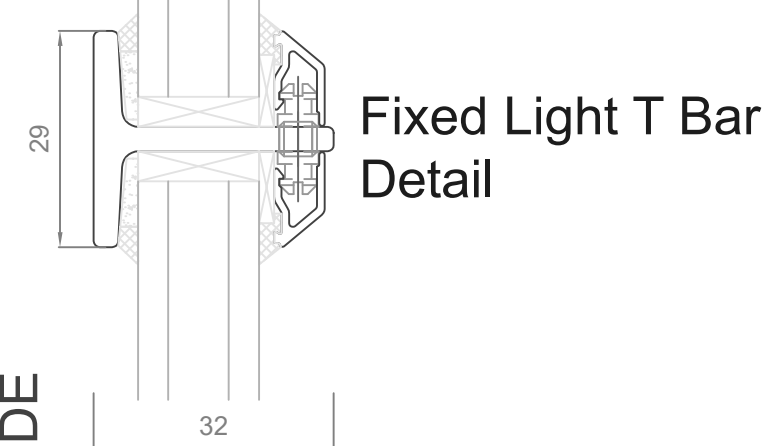
ITEM 13  
W10



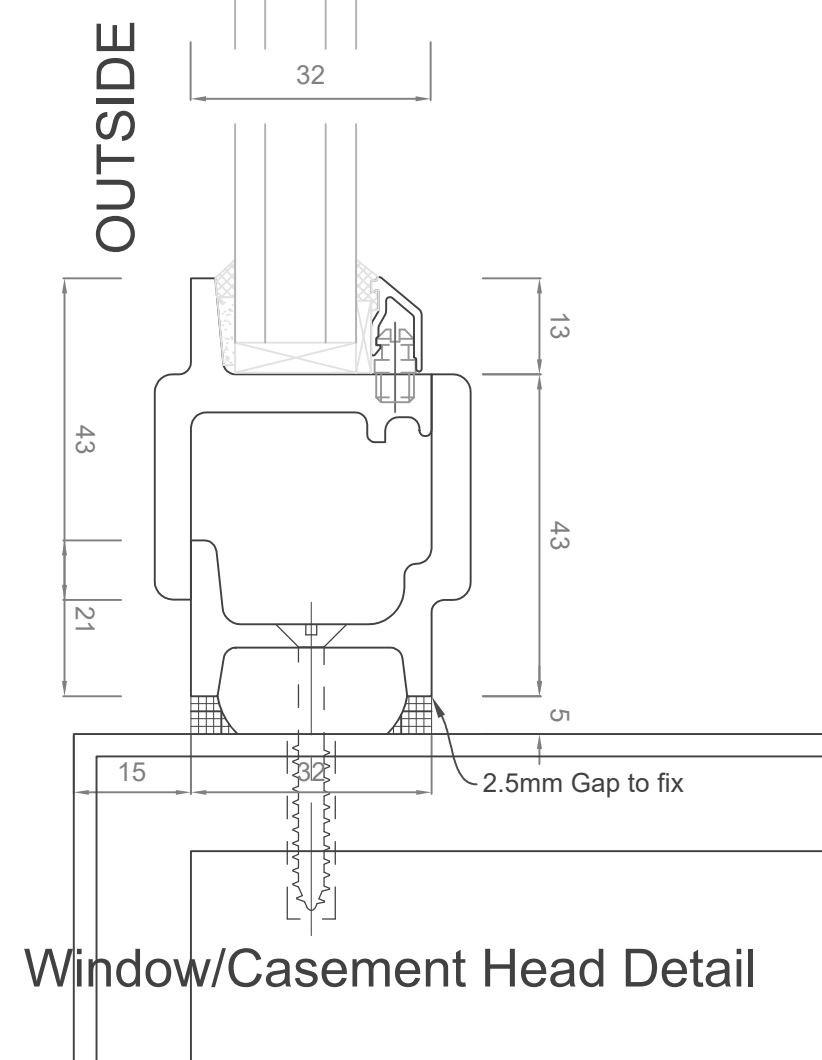
W10A



Window/Casement Head Detail

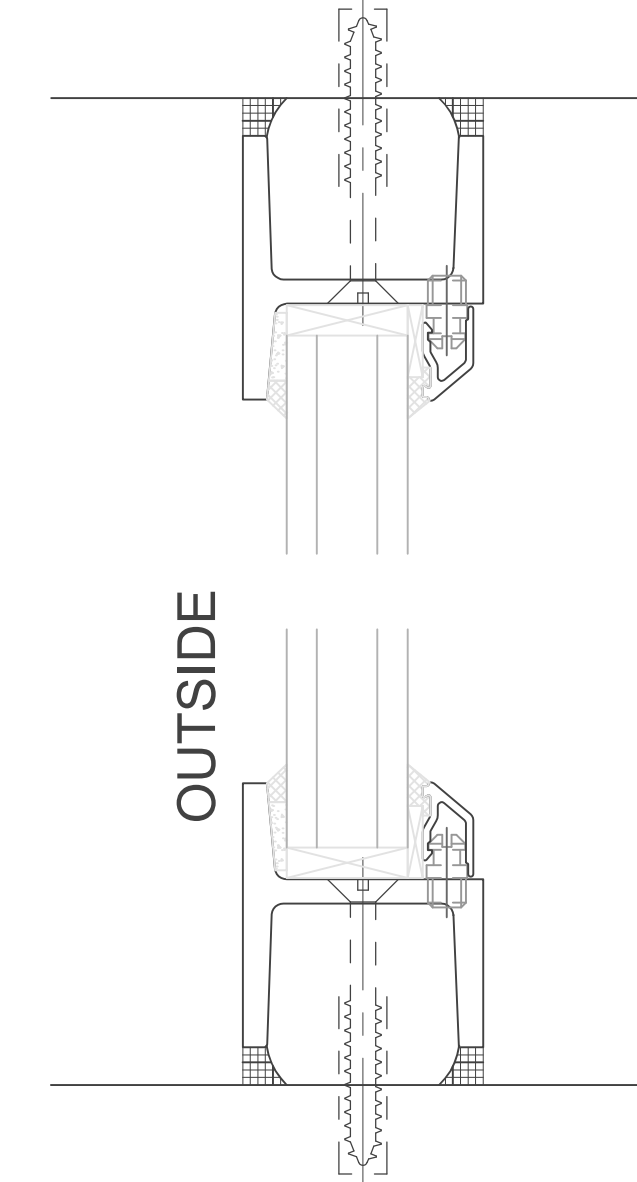


Fixed Light T Bar  
Detail

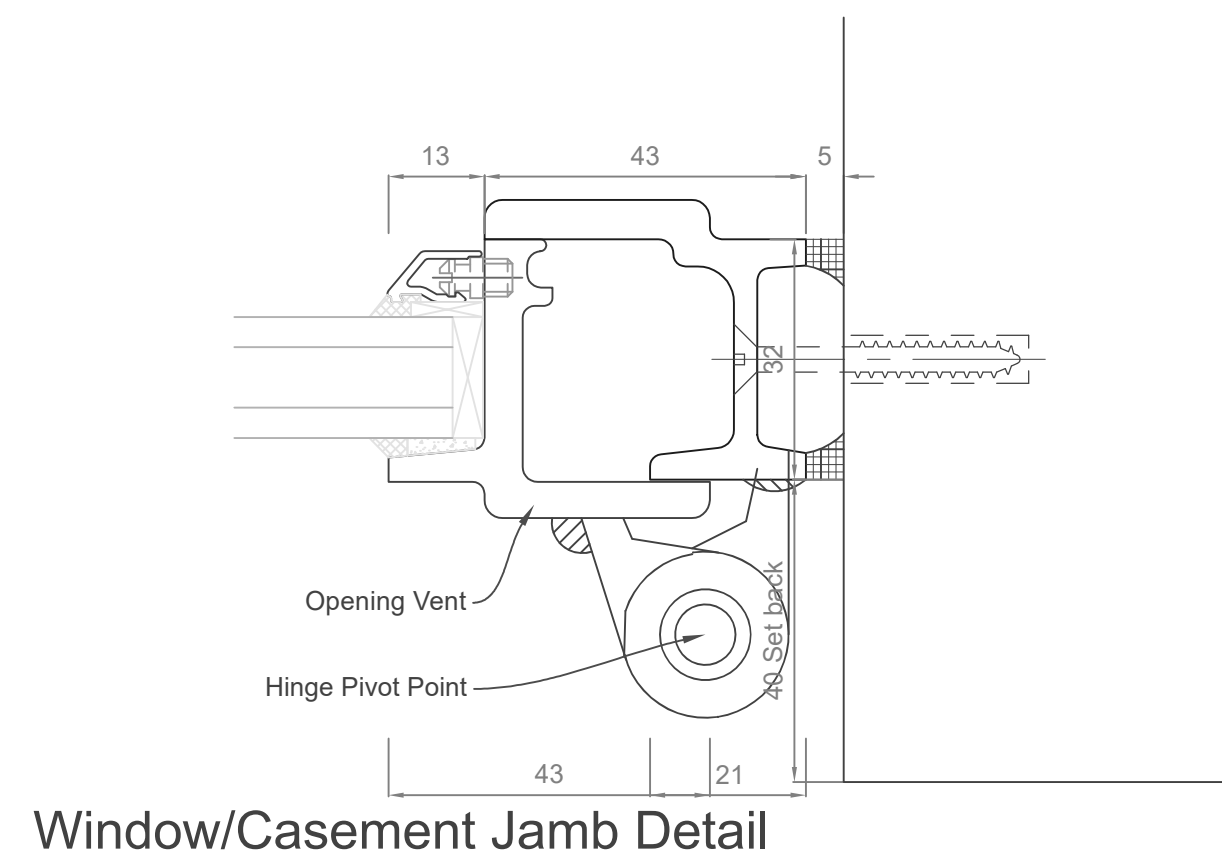


Window/Casement Head Detail

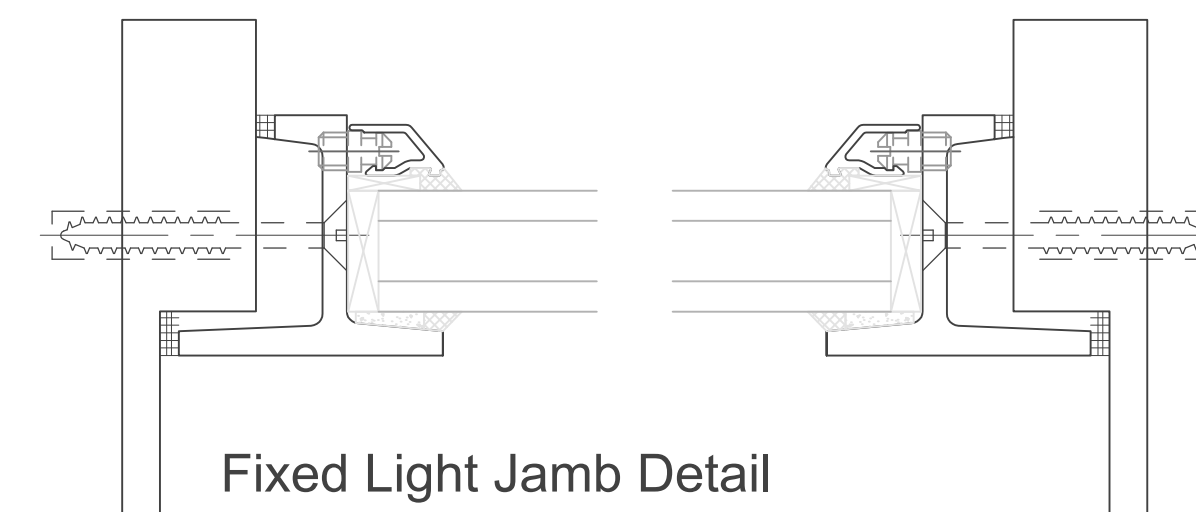
Fixed Light Jamb Detail



Fixed Light Jamb Detail



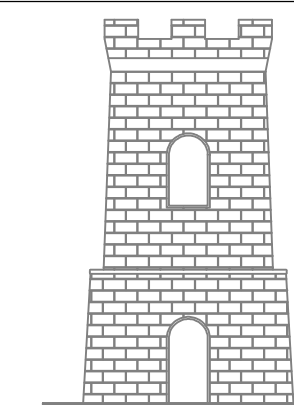
Window/Casement Jamb Detail



Fixed Light Jamb Detail

**SPECIFICATION:**  
**ELEVATIONS** - VIEWED FROM OUTSIDE  
**SECTIONS** - CRITTALL - W20 STEEL  
**GLAZING** - GLAZED IN 12321 BEAD FOR 16mm DGU  
**GLAZING BARS** - WT2/9811 SECTION  
**FITTINGS** -  
 395 STRAIGHT PEGSTAY IN AN BK (ANTIQUE BLACK) FINISH  
 195 STRAIGHT DUPLEX HANDLE IN AN BK (ANTIQUE BLACK) FINISH  
 NON-PROJ. NON FRIC. - REQs STAY  
 NO RESTRICTORS  
 NO CARRIAGE LOCKS  
**FIXED AND GLAZED BY VERITAS GLAZING SOLUTIONS.**  
**PAINT FINISH** - RAL8080 MATT - BRONZE.  
**SILICON COLOUR BLACK**  
**GLASS SPECIFICATION** -  
 EXTERNAL: 4mm TOUGHENED LOW IRON  
 CAVITY: 8mm KRYPTON **BLACK SPACER**  
 INTERNAL: 4mm TOUGHENED PLANITHERM TOTAL +

WE USE SAFETY GLASS AS STANDARD FOR IMPROVED SECURITY AND SAFETY. THESE WILL BE VISIBLY MARKED IN THE BOTTOM CORNER OF EACH PANE TO COMPLY WITH CURRENT BUILDING REGULATIONS.



**VERITAS**  
Glazing Solutions Ltd.

All Dimensions Are In Millimeters  
 All Dimensions To Be Checked On-Site  
 Scale@A1: 1:1 & 1:8 - DO NOT SCALE SIZES OFF DRAWINGS

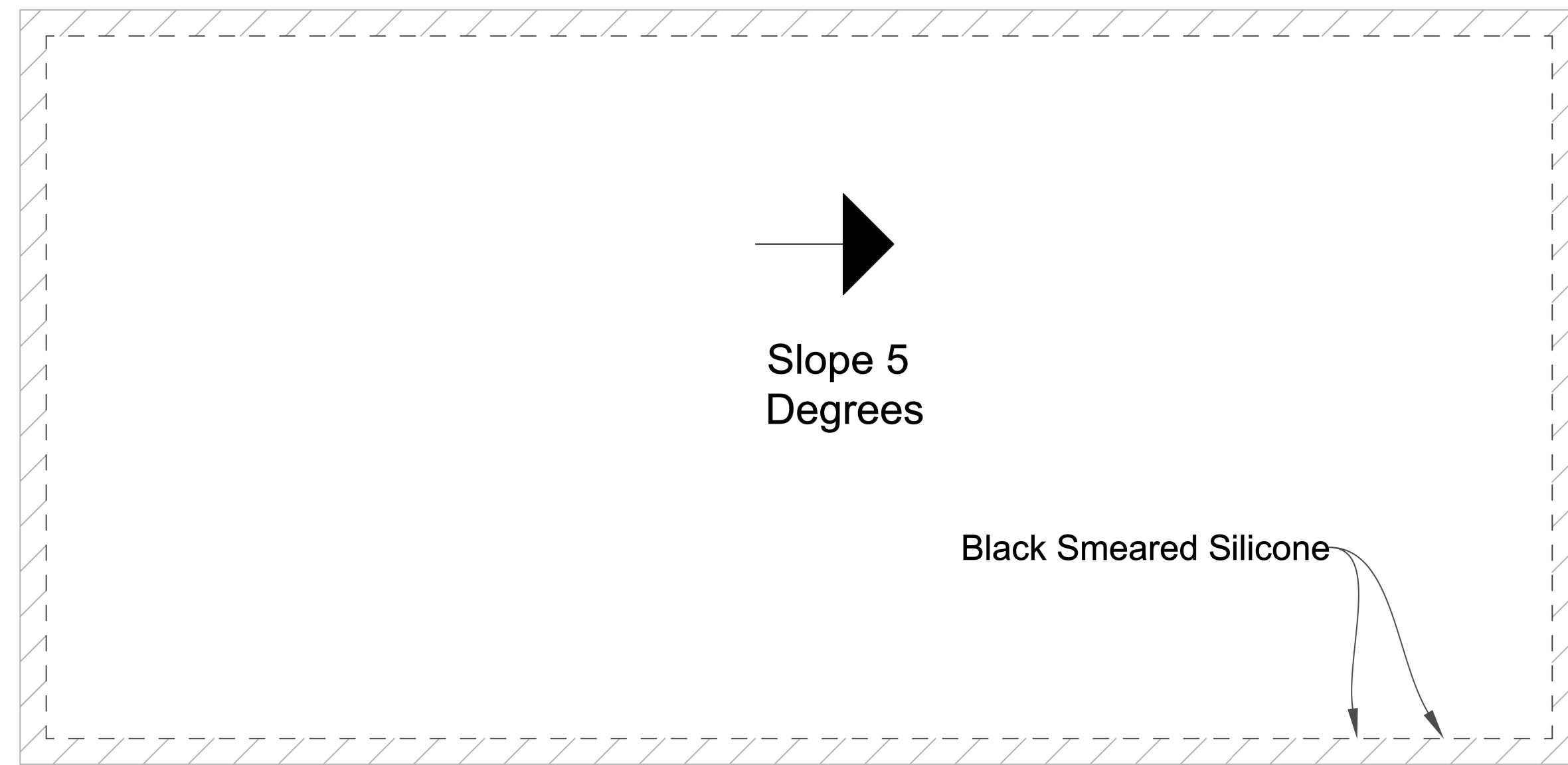
Client Name: **Maison Etc Ltd** Project No.: **VGS23027**

Installation Address:  
**Penkridge Hall  
 Leebotwood  
 Church Stretton, Shropshire  
 SY6 6LZ**

Designer <b>Sam Meadham</b>	Surveyor <b>Ben Turner</b>
Detailer <b>Taene Candido</b>	Date <b>13/10/2023</b>
Sheet Number <b>13</b>	Revision <b>R-B</b>
Items <b>2</b>	
Client Approval Signature	

Please Note:  
 1. Any necessary making good to be by others

All Elevations Are Viewed From Outside

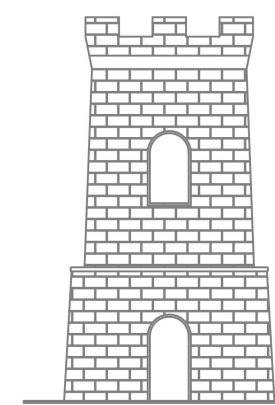
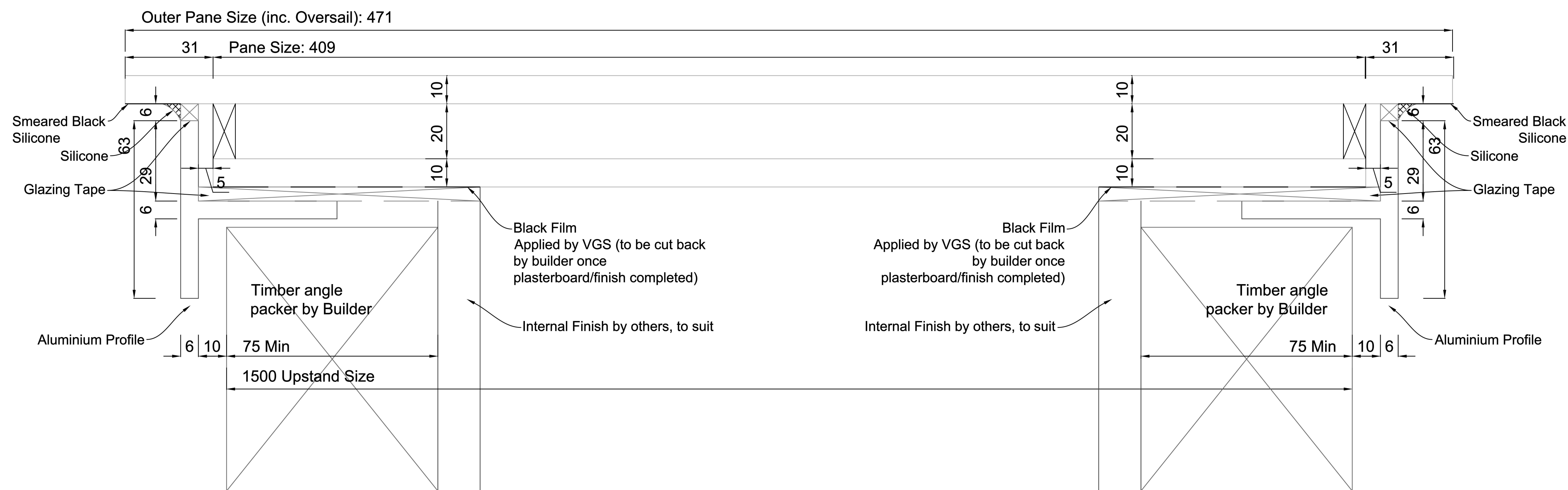


**SPECIFICATION:**

VIEWED FROM OUTSIDE  
**SECTIONS** - VIRTUALLY FRAMELESS ROOF LIGHT  
**SIZES** - TO OUTSIDE AND INSIDE OF STRUCTURAL UPSTAND  
**FIXED AND GLAZED BY VERITAS GLAZING SOLUTIONS.**  
**PAINT FINISH** - RAL8080 MATT - BRONZE.  
**SILICON COLOUR BLACK**  
**GLAZING** -GLAZED FOR 36mm DGU  
**GLASS SPECIFICATION** -  
 10mm TOUGHENED SN75 WITH ENDUROSIELD OUTER COATING  
 CAVITY: 16mm ARGON FILLED CAVITY WITH BLACK WARM EDGE TECHNOLOGY SPACER  
 10mm TOUGHENED CLEAR

**NOTE:**

MAKING GOOD BY OTHERS



**VERITAS**  
 Glazing Solutions Ltd.

All Dimensions Are In Millimeters  
 All Dimensions To Be Checked On-Site  
 Scale@A1: 1:1 & 1:8 - DO NOT SCALE SIZES OFF DRAWINGS

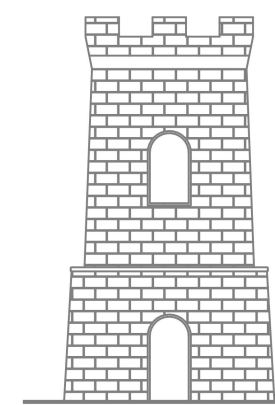
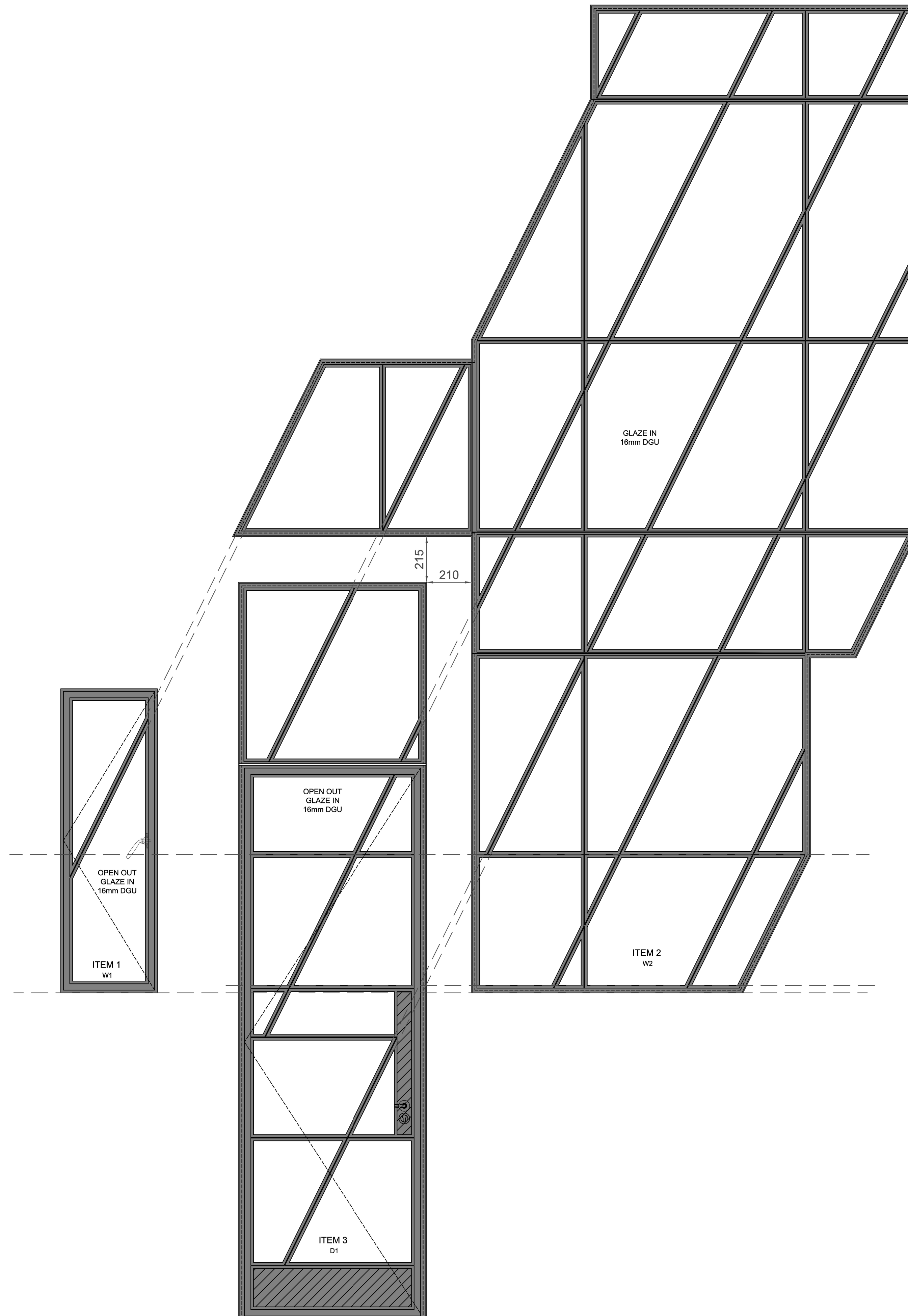
Client Name	Project No.
Maison Etc Ltd	VGS23027

Installation Address  
 Penkridge Hall  
 Leebotwood  
 Church Stretton, Shropshire  
 SY6 6LZ

Designer	Surveyor	
Sam Meadham	Ben Turner	
Detailer	Date	
Taene Candido	13/10/2023	
Sheet Number	Items	Revision
14	1	R-B
Client Approval Signature		

Please Note:  
 1. Any necessary making good to be by others

All Elevations Are Viewed From Outside



**VERITAS**  
Glazing Solutions Ltd.

All Dimensions Are In Millimeters  
All Dimensions To Be Checked On-Site  
Scale@A1: 1:1 & 1:8 - DO NOT SCALE SIZES OFF DRAWINGS

Client Name	Project No.
Maison Etc Ltd	VGS23027

Installation Address  
Penkridge Hall  
Leebotwood  
Church Stretton, Shropshire  
SY6 6LZ

Designer	Surveyor
Sam Meadham	Ben Turner

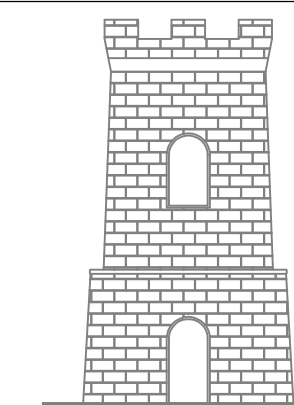
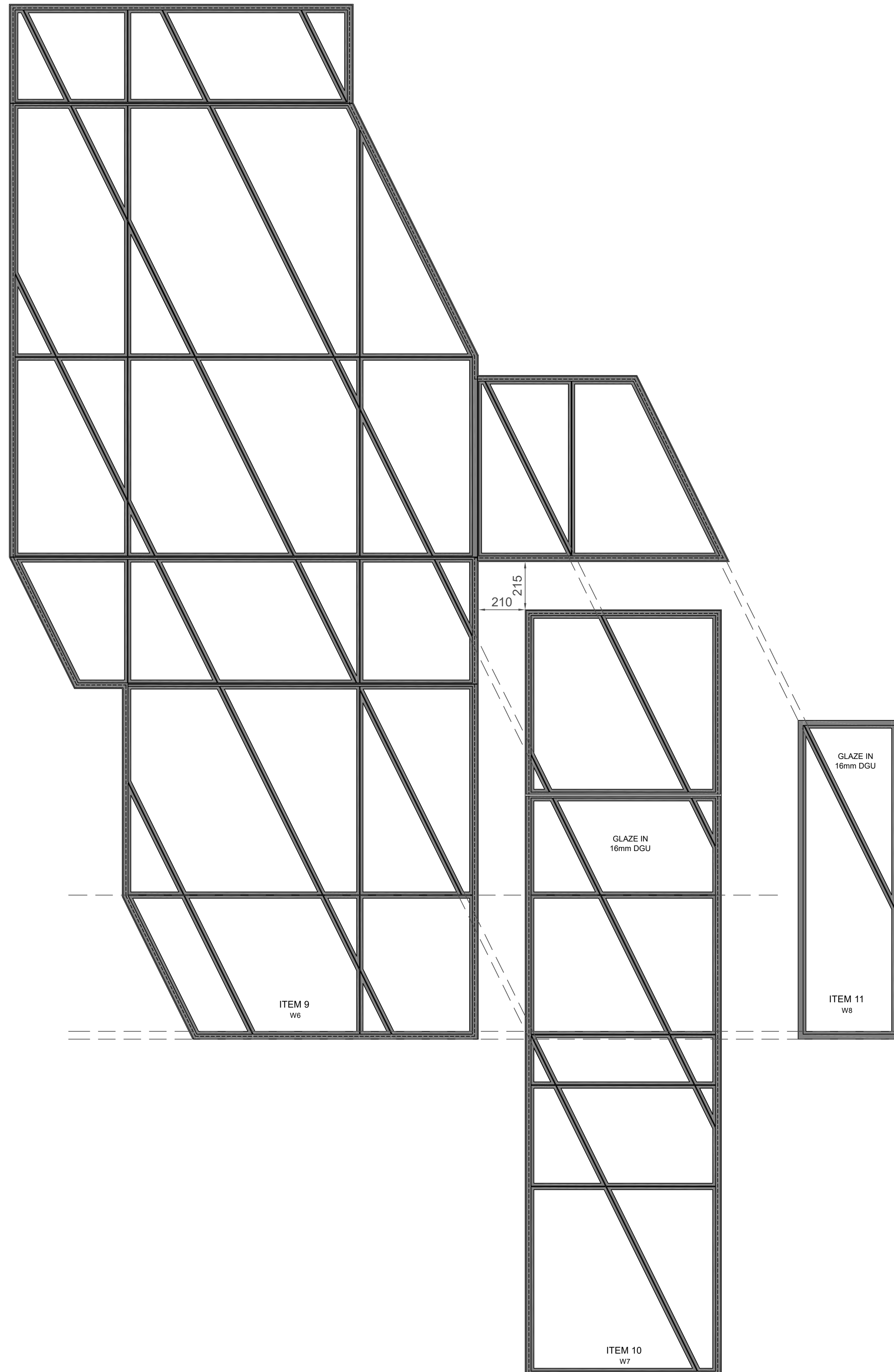
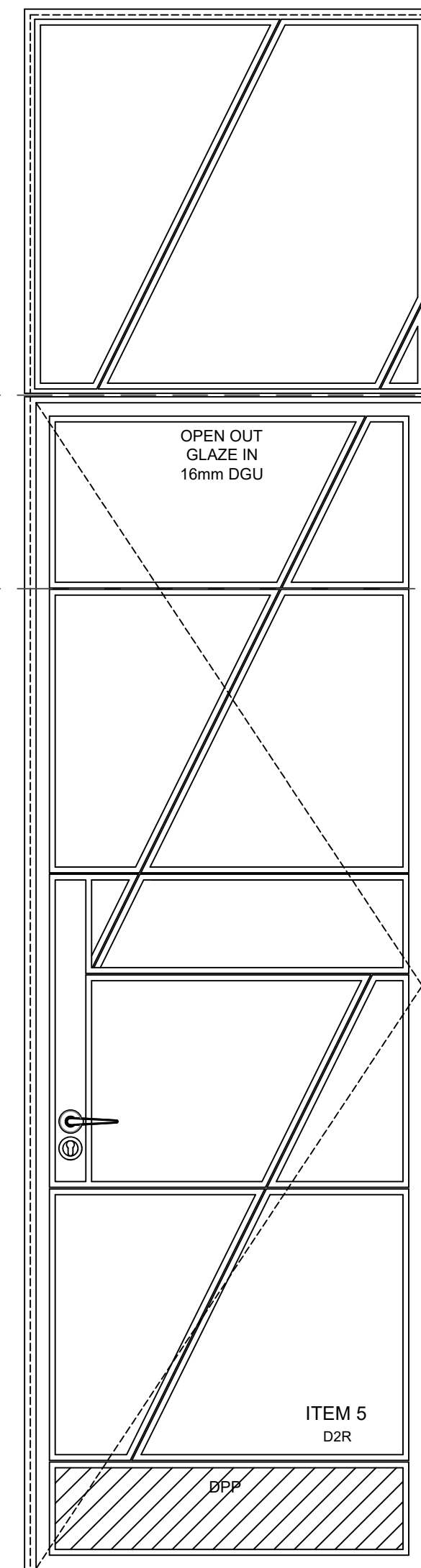
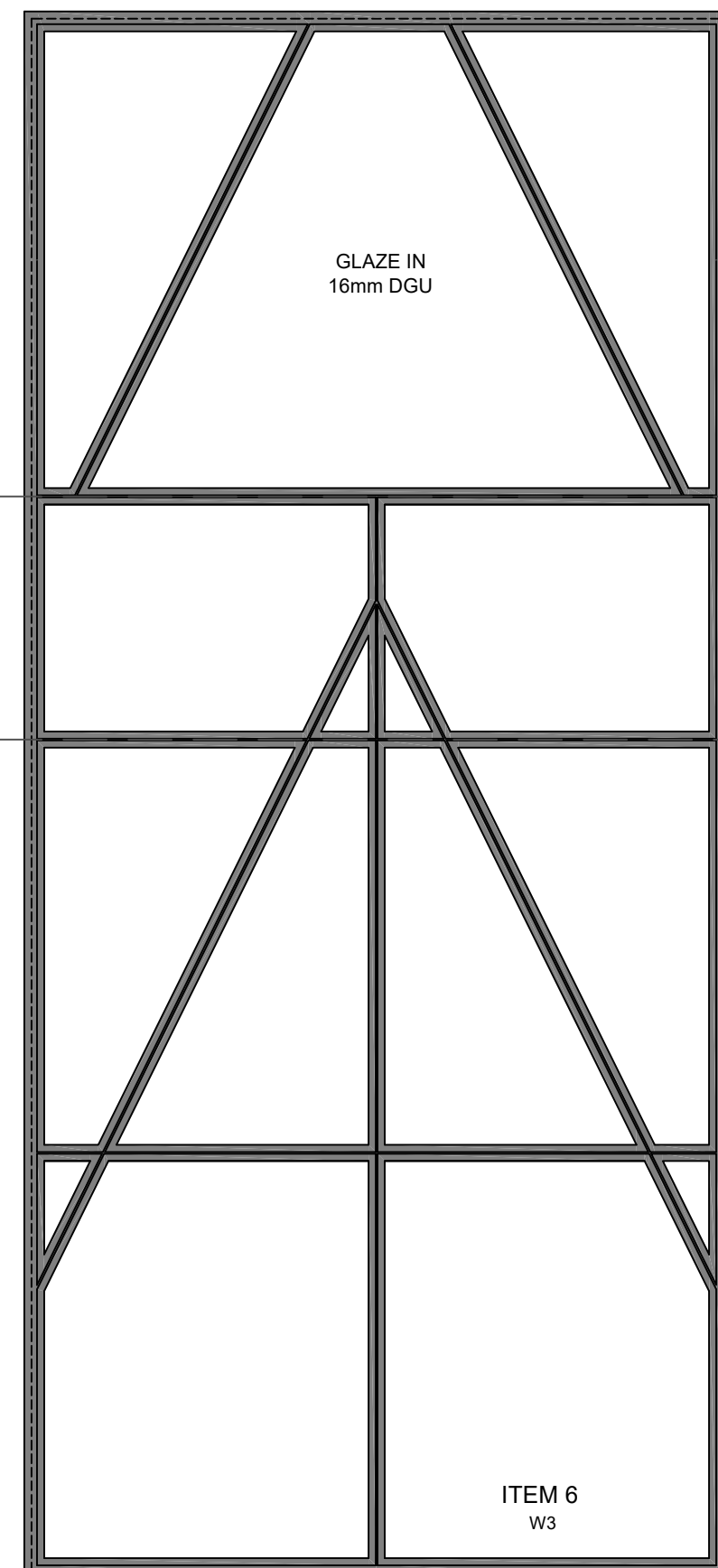
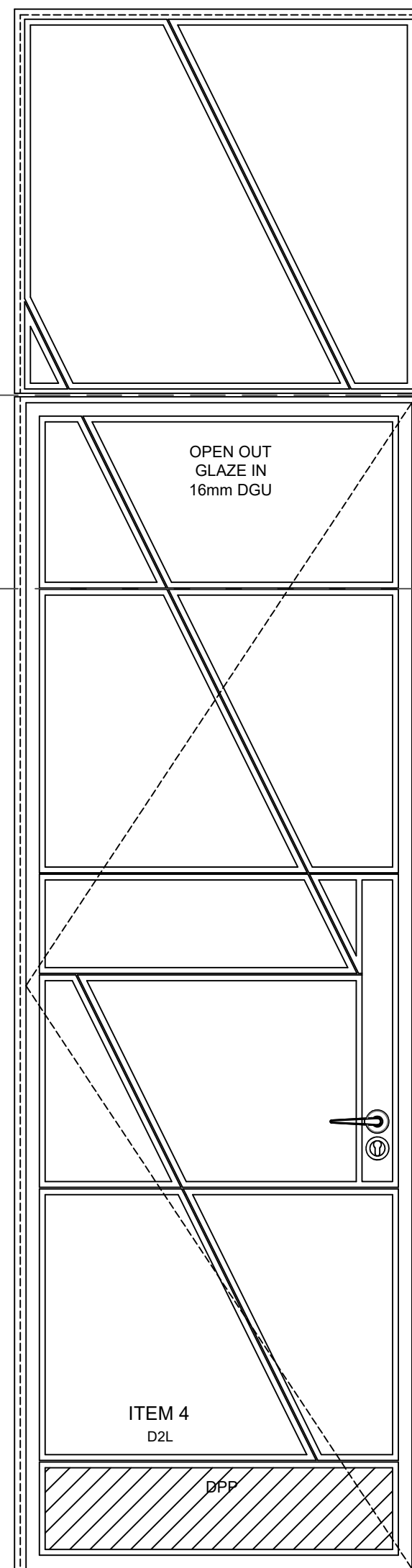
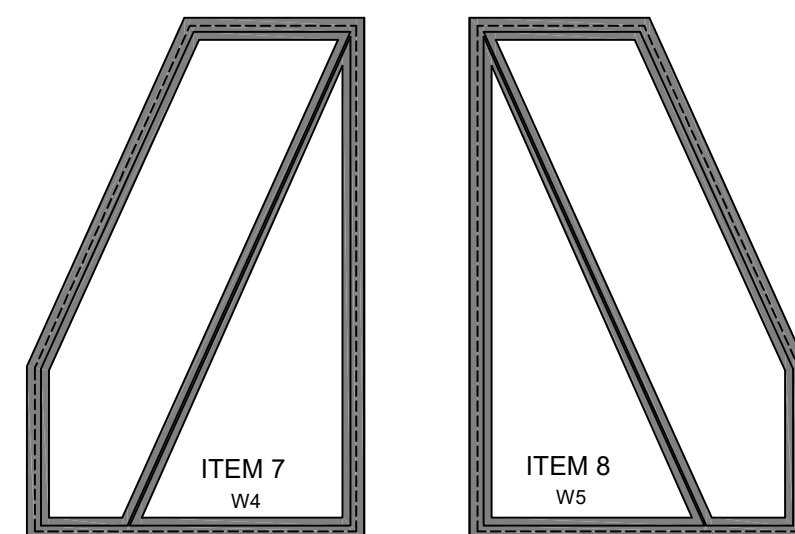
Detailer	Date
Taene Candido	13/10/2023

Sheet Number	Items	Revision
15	Elevations	R-B

Client Approval Signature



All Elevations Are Viewed From Outside



**VERITAS**  
Glazing Solutions Ltd.

All Dimensions Are In Millimeters  
All Dimensions To Be Checked On-Site  
Scale@A1: 1:1 & 1:8 - DO NOT SCALE SIZES OFF DRAWINGS

Client Name	Project No.
Maison Etc Ltd	VGS23027

Installation Address  
Penkridge Hall  
Leebotwood  
Church Stretton, Shropshire  
SY6 6LZ

Designer	Surveyor
Sam Meadham	Ben Turner

Detailer	Date
Taene Candido	13/10/2023

Sheet Number	Items	Revision
16	Elevations	R-B

Client Approval Signature