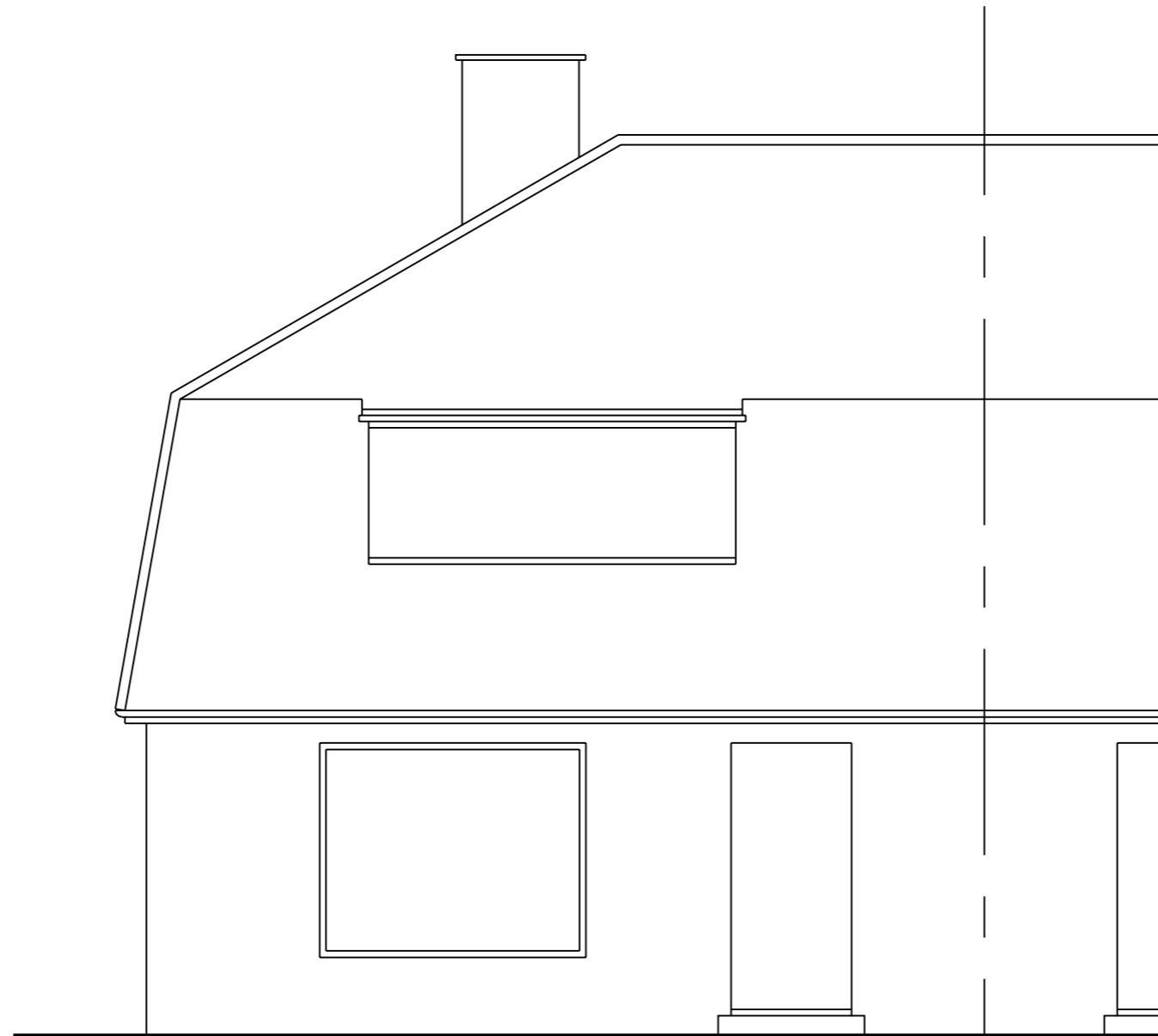
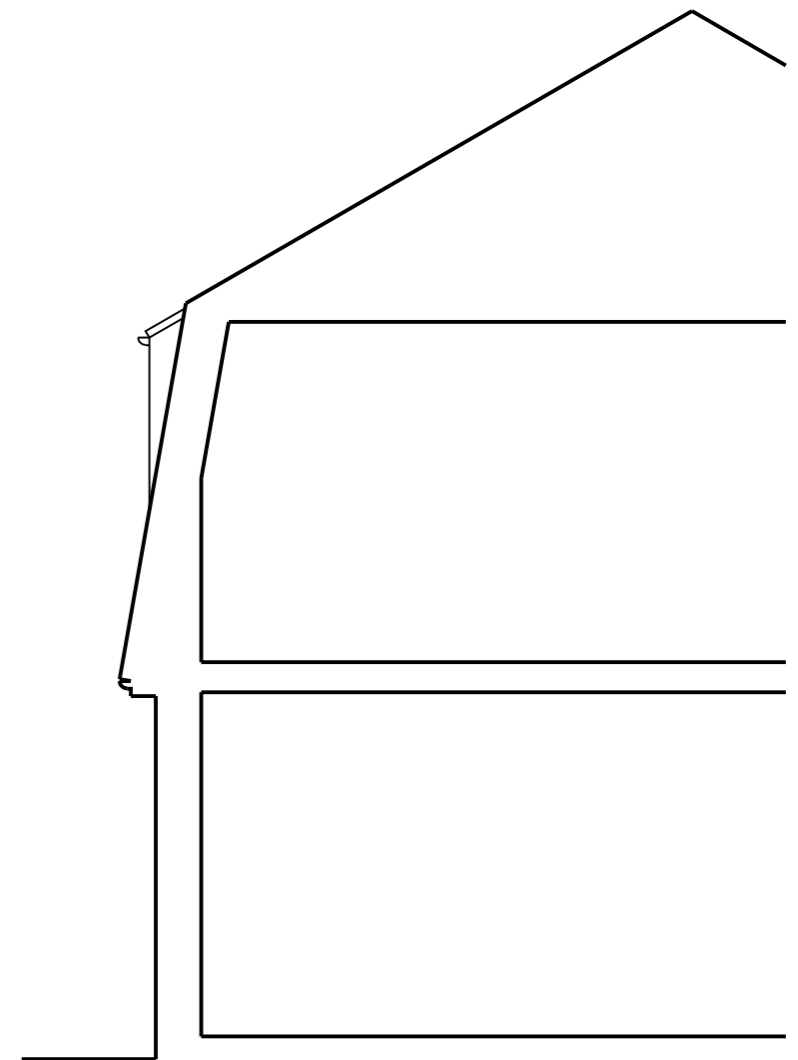


WEST ELEVATION



SOUTH ELEVATION



EAST ELEVATION

**AAS**<sub>Ltd</sub>  
 ARCHITECTURAL and  
 ASSOCIATED SERVICES Ltd

- PHILOMEL • BEPTON ROAD
- BEPTON • MIDHURST
- WEST SUSSEX • GU29 9RB
- 07771 535021
- e-mail: chris@renninson.co.uk

Title  
**EXISTING ELEVATIONS**

Rev	Date	Amendment		
	Jan 2024	Drawn CPR	Scale 1:50 @ A3	
Job Number	Prefix	Drawing Number	Revision	
<b>3923</b>	<b>EX</b>	<b>02</b>	<b>A</b>	

Project  
**62 NAPPERS WOOD, FERNURST  
 WEST SUSSEX, GU27 3PE**

For  
**MR. DAN JONES**