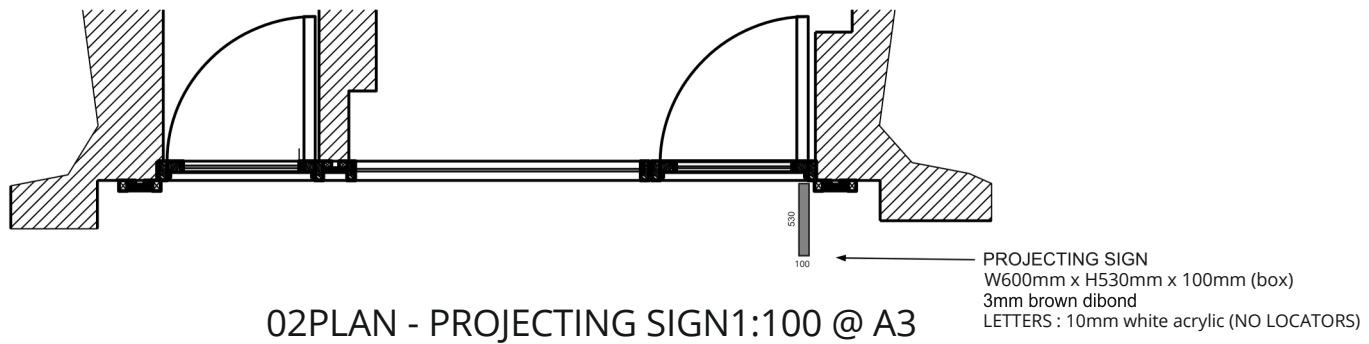
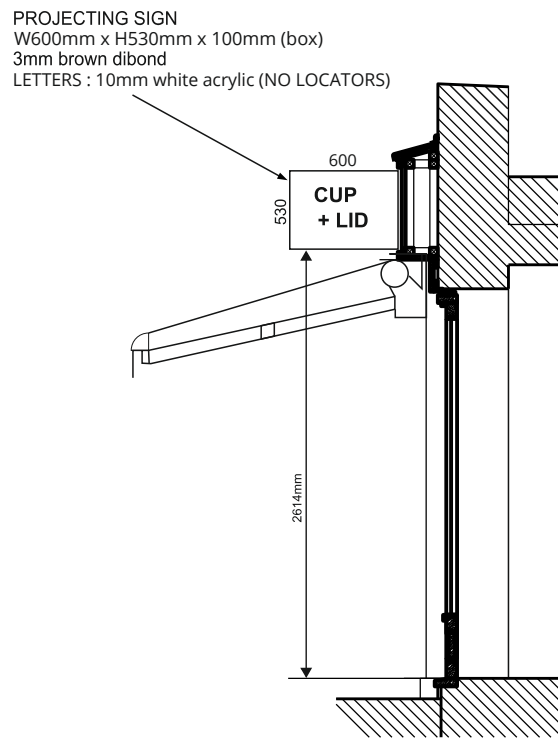


01PLANS FOR SIGNS1:100 @ A3



02PLAN - PROJECTING SIGN1:100 @ A3



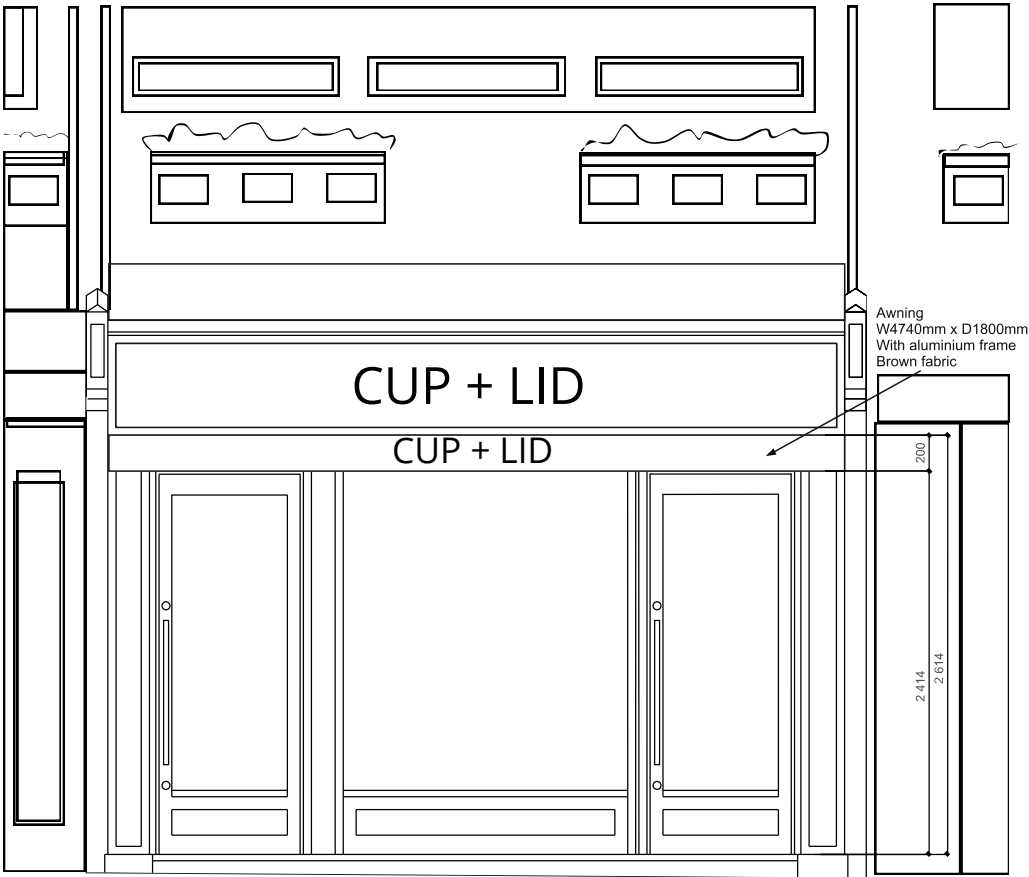
03SECTION1:100 @ A3

**DESCRIPTION OF WORKS**  
 10 Gee's Ct  
 City of Westminster-LONDON  
 W1U 1JJ

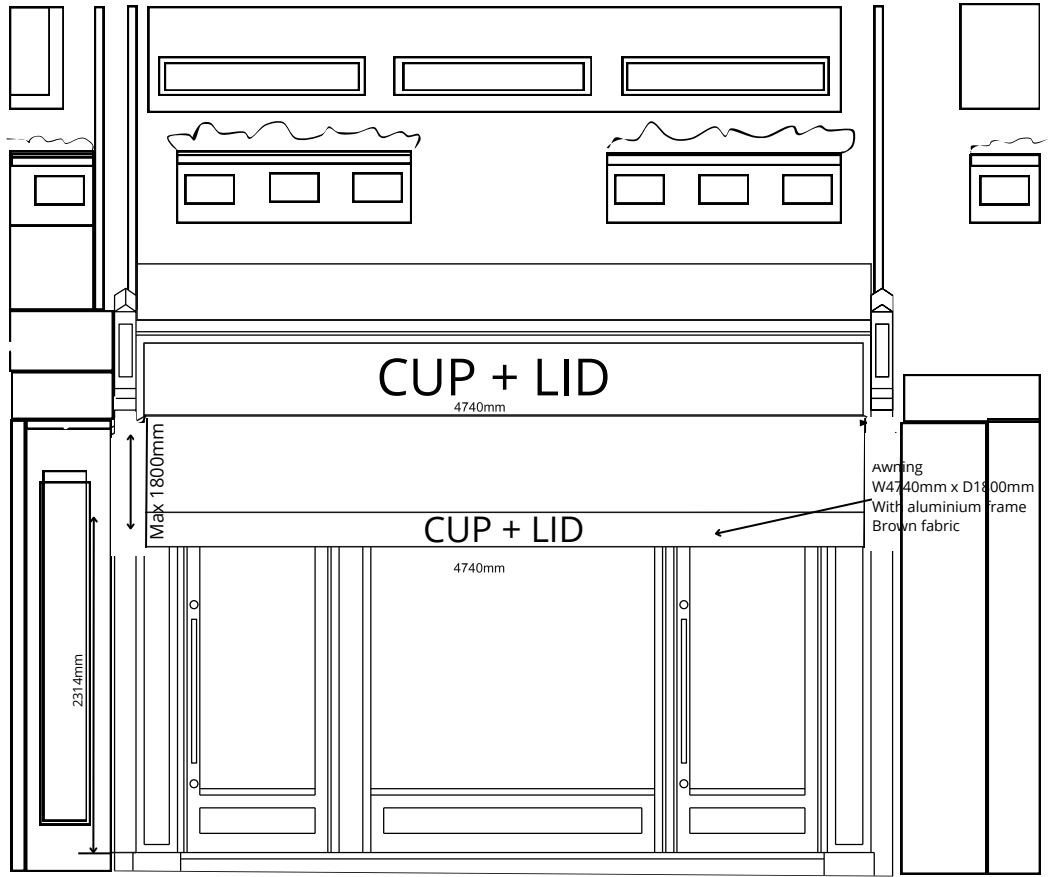
10 Gee's Court - Proposed Signs - Plan  
 1:100 @ A3

NOTE: Dimentions to be checked on site, drawing is based on information provided on pdf scan.

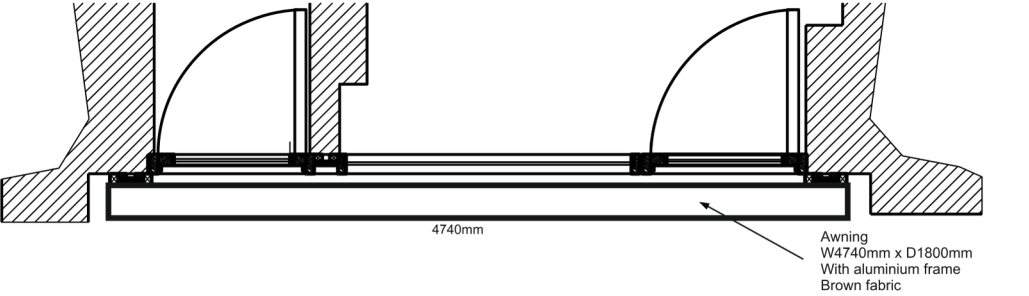




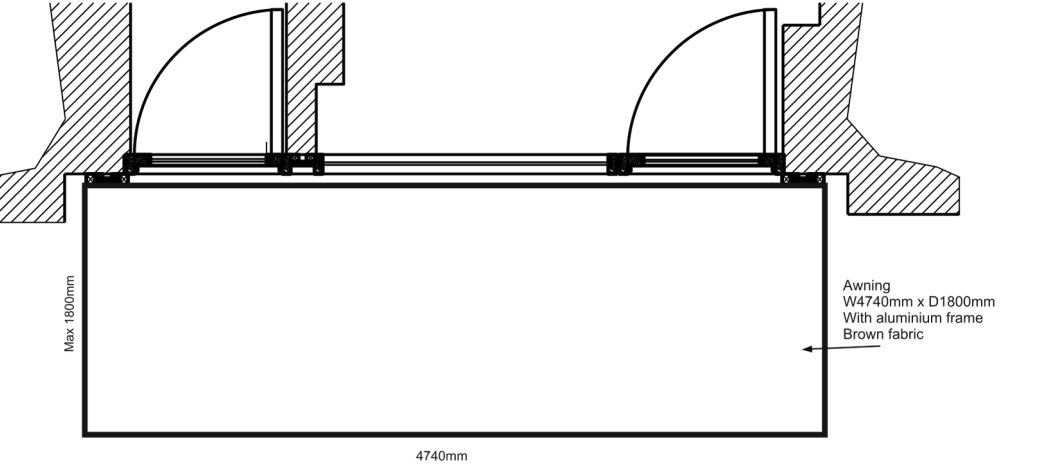
01 EXTERNAL ELEVATION - AWNING RETRACTED 1:100 @ A3



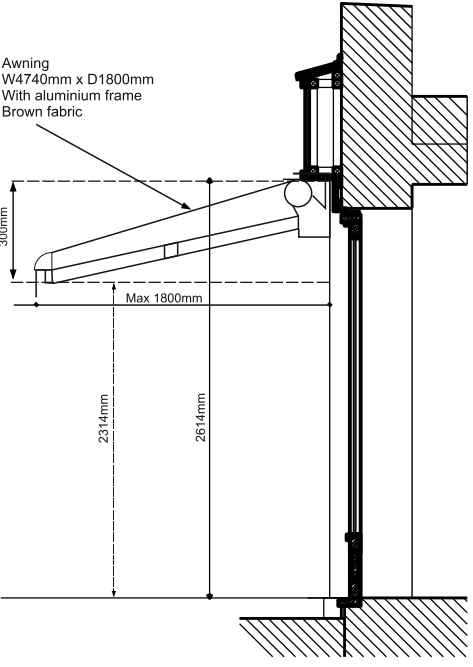
02 EXTERNAL ELEVATION - AWNING EXTENDED 1:100 @ A3



03 PLAN - AWNING RETRACTED 1:100 @ A3



04 PLAN - AWNING EXTENDED 1:100 @ A3



05 SECTION 1:100 @ A3

**DESCRIPTION OF WORKS**  
 10 Gee's Ct  
 City of Westminster-LONDON  
 W1U 1JJ

10 Gee's Court - Proposed Awning - Plan  
 1:100 @ A3

NOTE: Dimentions to be checked on site, drawing is based on information provided on pdf scan.

