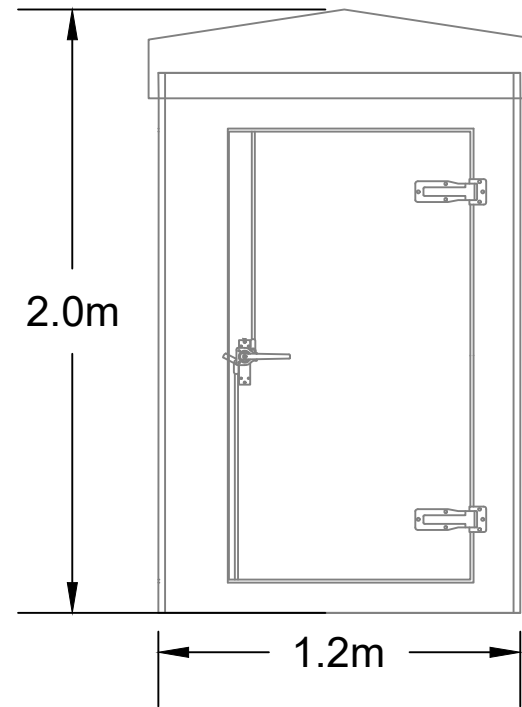
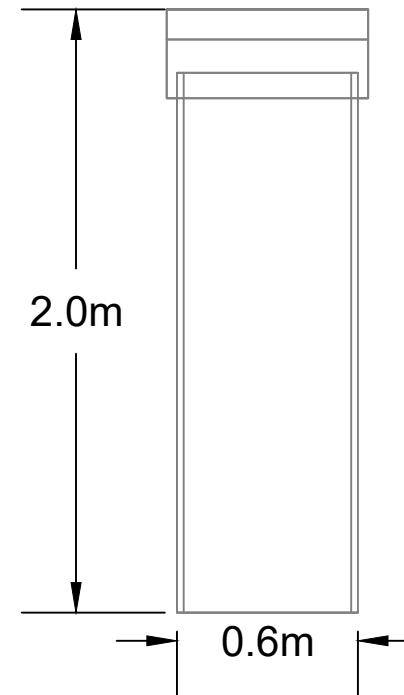


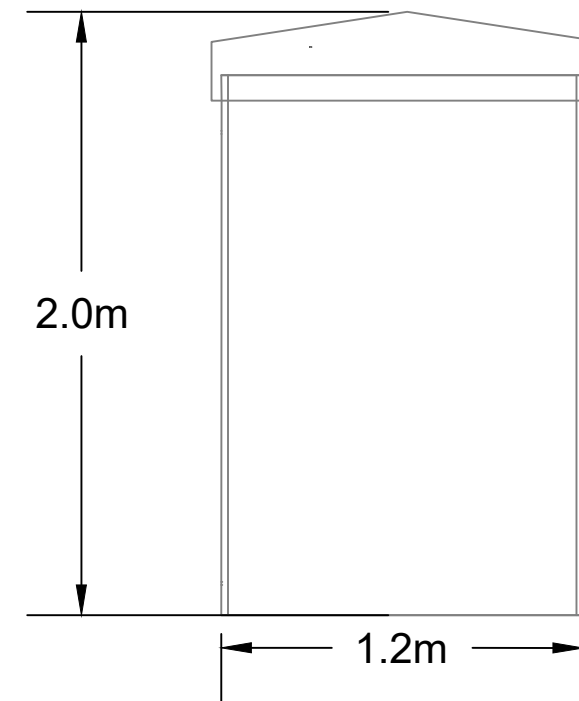
ELEVATION @ 'A'



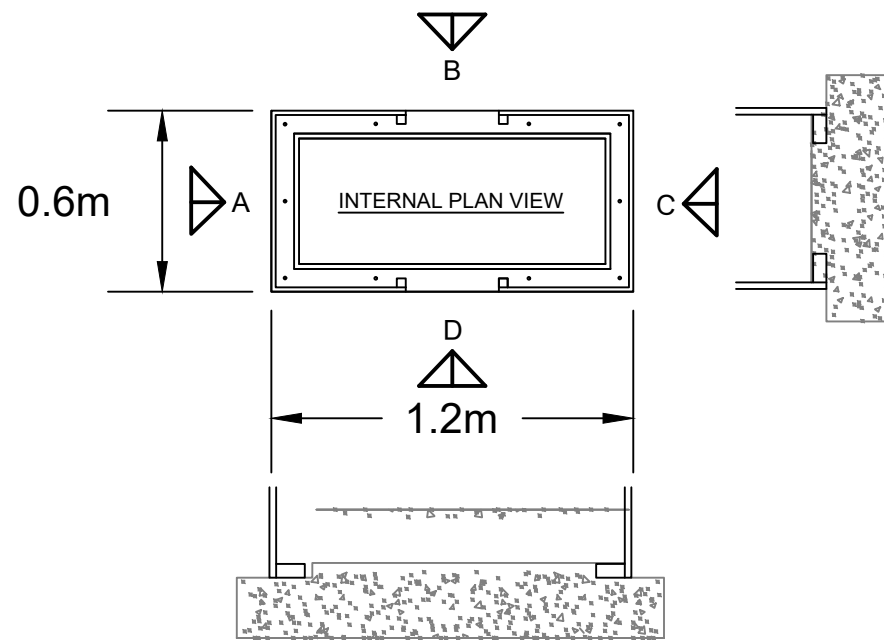
ELEVATION @ 'B'



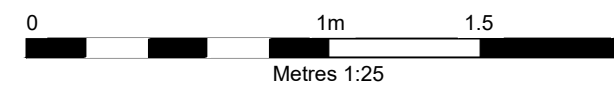
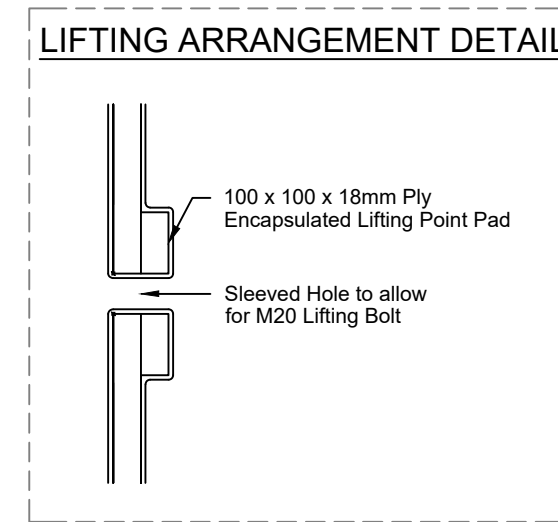
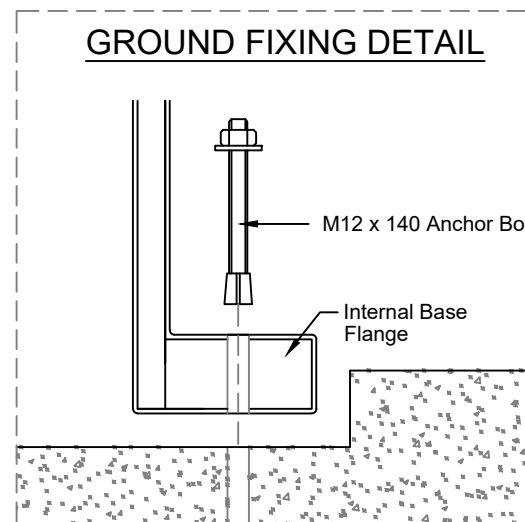
ELEVATION @ 'C'





ELEVATION @ 'D'



PLAN







AMP CLEAN ENERGY
1 DOVER STREET
LONDON
W1S 4LD

200kW / 800kWh
MICRO ENERGY STORAGE UNIT

Battery Box
Plan depicting Electrical Cabinet

**ELECTRICAL CABINET
PLAN AND ELEVATIONS**

PLAN 5

Scale

1:25 @ A3