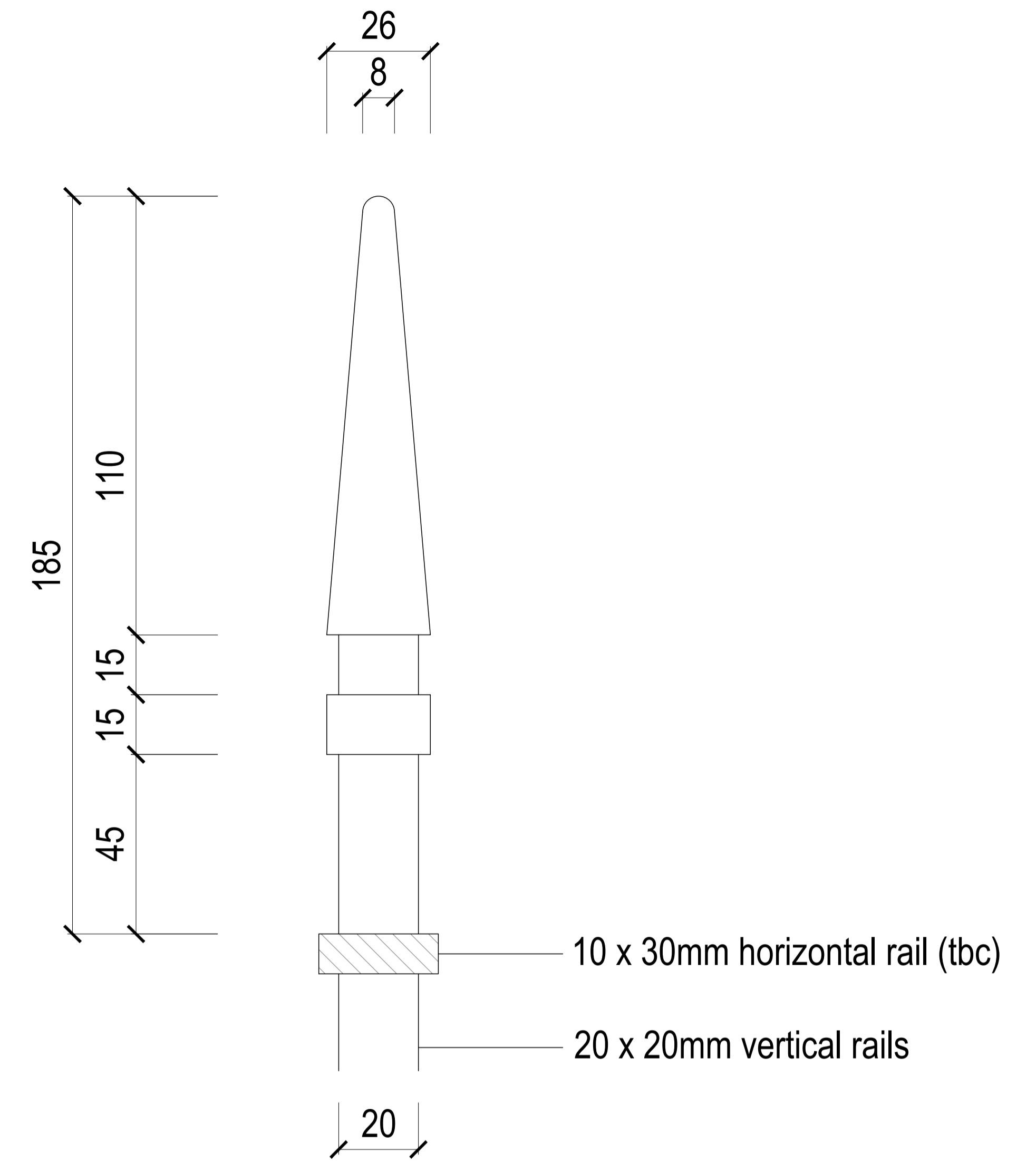
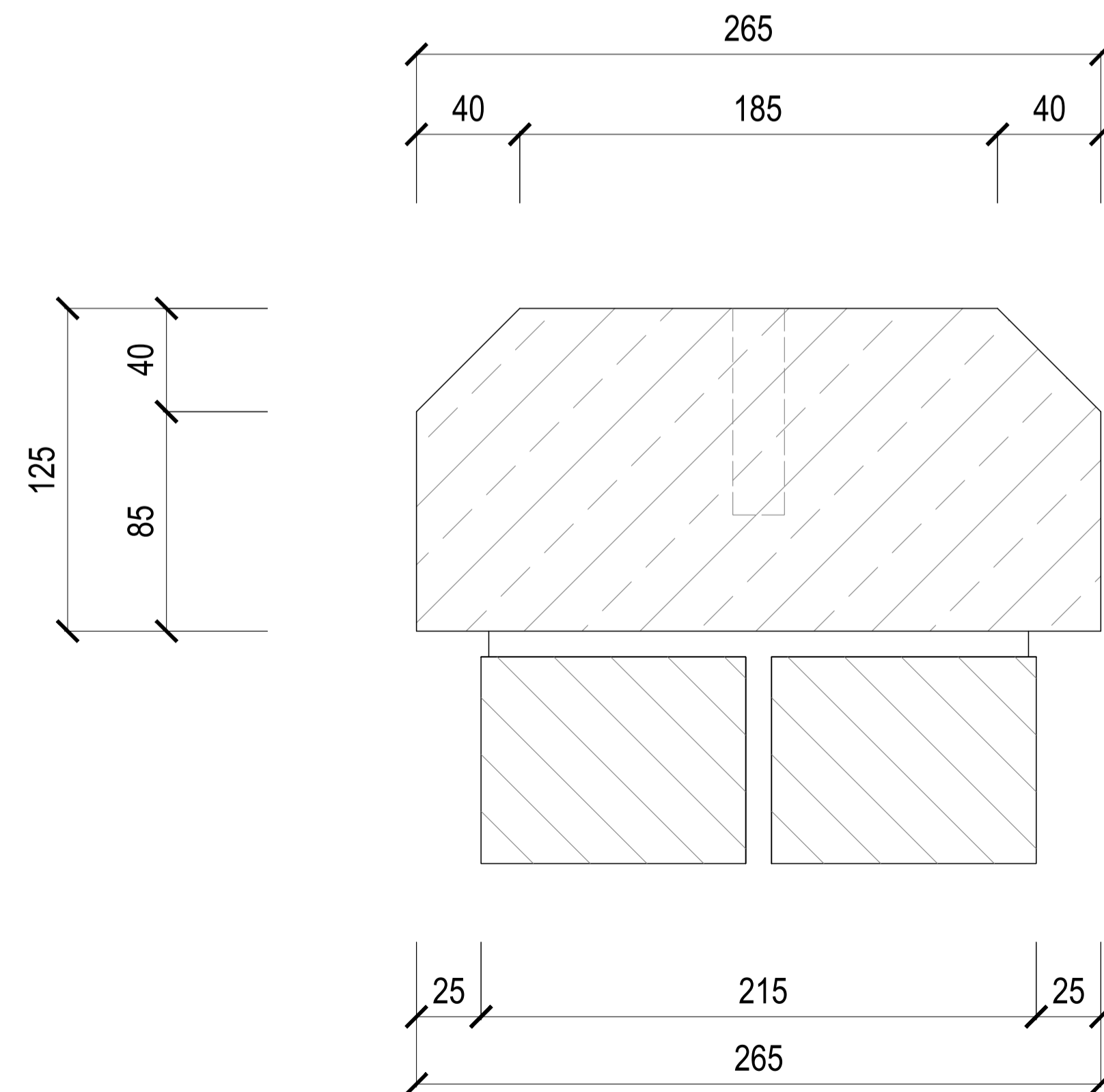


1:2 STONE PIER CAPPING DETAIL



1:1 FINIAL DETAIL



1:2 STONE WALL CAPPING DETAIL

Rev	Date	Comments
-----	------	----------



07852 296229  
 www.tristanarthurarchitects.com  
 tristan@tristanarthurarchitects.com  
 The Studio, 43 Bromsgrove Road, Romsley, Halesowen, B62 0LE

Job  
 PROPOSED EXTENSIONS AND ALTERATIONS AT  
 PLYMOUTH ROAD

Dwg Title  
 STONE + FINIAL DETAILS

Scale	Date	Dwg no.
1:2 @ A2	DEC 23	1241_11