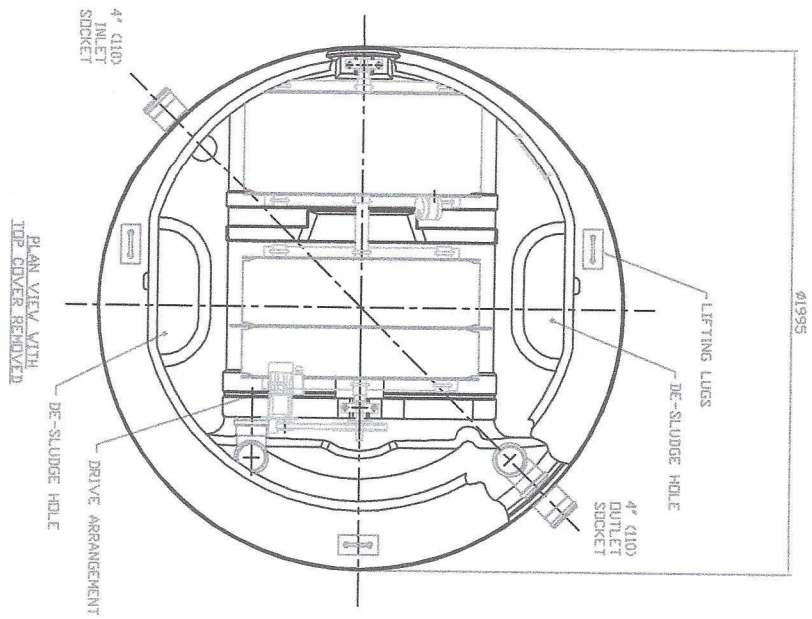


COVER, TOP SECTION, BASE & BIOZONE TANK SECTIONED ON CENTRE LINE FOR CLARITY

DRY WEIGHT (INCLUDING PALLET)	KG	FULL WEIGHT (EXCLUDING PALLET)	KG
450 INVERT	310	450 INVERT	3290
750 INVERT	325	750 INVERT	3305
1250 INVERT	380	1250 INVERT	3360



NOTES:-

1. BIODISC TANK & COVER ARE MANUFACTURED IN GLASS REINFORCED POLYESTER (GRP). COVER IS FINISHED IN GREEN TO BS 4800 TINT 12B85
2. FOR DESLUDGING PROCEDURE SEE MAINTENANCE HANDBOOK.
3. ELECTRICAL SUPPLY:- 240 VOLTS, 2 AMPS, SINGLE PHASE. THREE PHASE OPTIONAL, CONTROL PANEL SUPPLIED.
4. BIODISC MUST ONLY BE LIFTED BY 3 LUGS PROVIDED.
5. 3 DRAIN INVERTS AVAILABLE. DIMENSIONS ON DRAWING GROUND LEVEL TO COVER 95mm TYP. CAN BE REDUCED BY GROUND FINISH TO APPROX 25mm
6. FOR INSTALLATION, MAINTENANCE & DESLUDGE DETAILS REFER TO PD0093, PD0094 & PD0095
7. THIS DRAWING IS ALSO AVAILABLE ON OUR WEBSITE www.klargester.com

ISSUE	DATE	BY/WH	REVISION
6	11/11/05	SHP	OC306 (Note 7 added)
5	12/02/99	LJA/H	
4	21/08/98	LJA/H	
3	-	-	
2	03/04/95	S.T.	
1	16/12/94	A.M.O.	INITIAL ISSUE

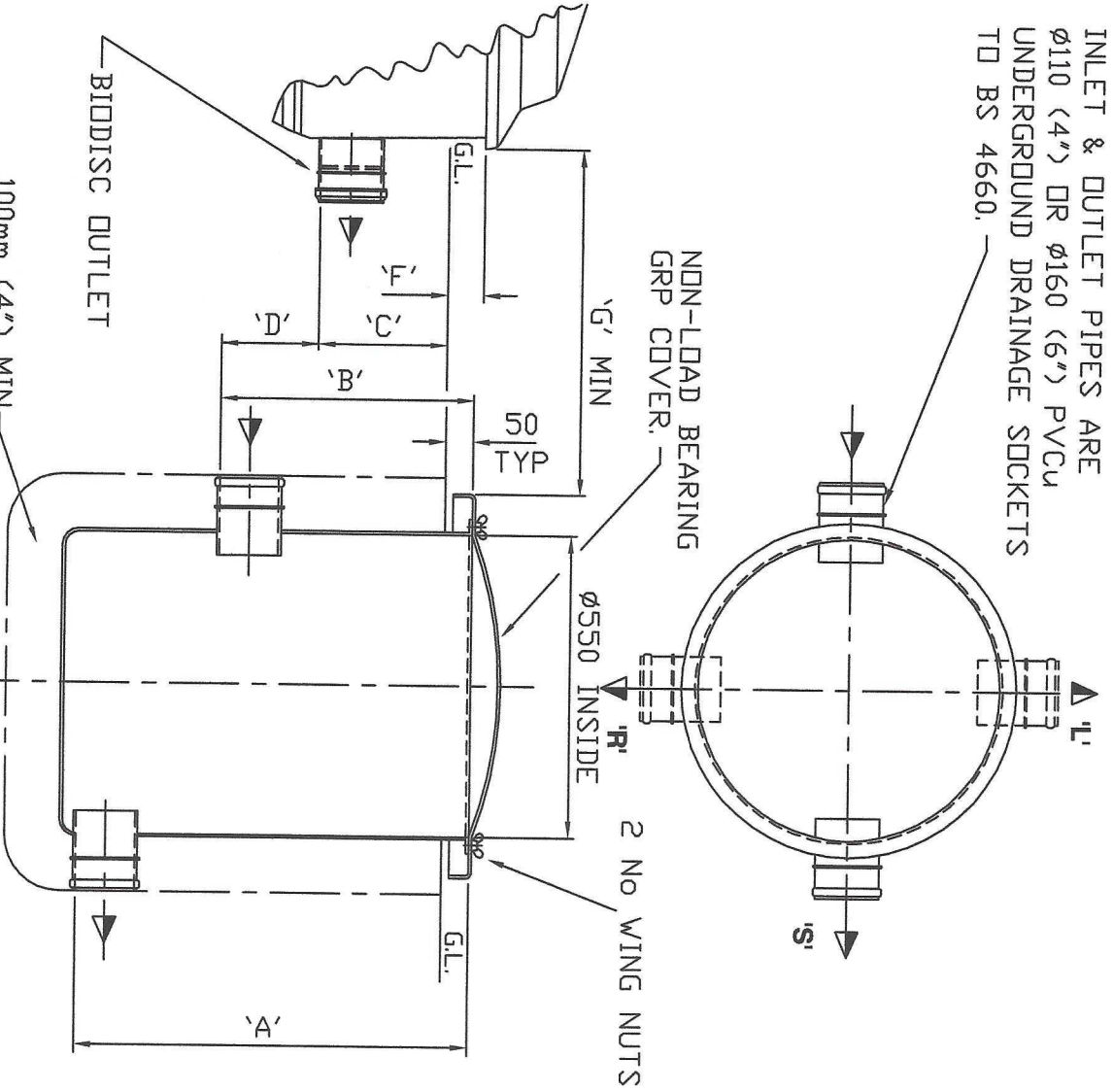
Klargester
Treatment Systems
Klargester Environmental
College Road North, Aston Clinton
Aylesbury, Bucks. HP22 5EY
Tel: 01296 633000
www.klargester.com

ALL DIMENSIONS ARE IN MILLIMETRES - DO NOT SCALE

THE
BA BIODISC
GENERAL
DIMENSIONS
CUSTOMER DRAWING

SCALE: 1:27.5 SHEET NO: A4
DRAWING NO: DS0440 DATE: 6

INLET & OUTLET PIPES ARE Ø110 (4") OR Ø160 (6") PVCU UNDERGROUND DRAINAGE SOCKETS TO BS 4660.



100mm (4") MIN CONCRETE SURROUND.

- NOTES-
- FOR OUTLET HANDING ADD SUFFIX S, L, OR R, OR PRODUCT CODE.
 - FOR INSTALLATION DETAILS REFER TO PDD071, SUPPLIED WITH UNIT.
 - THIS DRAWING IS ALSO AVAILABLE ON OUR WEBSITE [WWW.KLRAGESTER.COM](http://www.klargester.com)

ISSUE	DATE	DRAWN	MODIFICATION
7	09.11.05	SNP	CC306 - Note 3 Added
6	17.04.03	ALL	BORDER NOTES UPDATED / DIMENSIONS A AMENDED SIMM
5	26.02.99	J.A.H.	-
4	25.11.96	J.A.H.	OUTLET INVERT DROPPED BY 25mm
3	21.03.96	J.A.H.	BD & BE ADDED
2	09.11.95	COBRA	SC5 C & D ADDED SC9 A & B ADDED

Klargester
Treatment Systems

Klargester Environmental Ltd.
College Road, Aston Clinton,
Aylesbury, Bucks. HP22 5EW.
Tel:- 01296 633000
www.klargester.co.uk

TITLE
Ø550 DIAMETER
SAMPLE CHAMBER
CUSTOMER
DRAWING

SCALE 1:13 SHEET SIZE A4
DRAWING No. 800776 ISSUE 7

SAMPLE CHAMBER	SUITABLE FOR USE WITH THE FOLLOWING PLANT.	A'	B'	C'	D'	E'	F'	G'
SC1A	F5-6(PH2) / N3-5 / G7	650	475	365	60	75	100	100
SC1A	F7-9(PH1) / N6-9 G8-10(PH2)	650	475	350	75	75	150	150
SC1B	G11-12 (PH2)	650	525	400	75	75	150	150
SC1C	ST3 WITH DC/DN 12-19	650	440	340	50	-	100	100
SC2A	F10-11(PH1) / N10-11	710	580	455	75	75	150	150
SC2B	ST4 WITH DC/DN 12-19 ST5-8	710	550	500	50	-	100	100
SC3	BA & BB @ 450 INV.	810	620	535	35	95	100	100
SC4A	BF, BG, BH, BJ	930	795	700	45	65	100	100
SC4B	ST4 WITH DC/DN 6-11	930	765	715	50	-	100	100
SC4C	BC/BD/BE @ 600 INV.	930	770	685	35	65	100	100
SC5A	BA & BB @ 750 INV.	1100	920	835	35	95	100	100
SC5B	BK, BL	1100	850	750	50	65	100	100
SC5C	F5-6(PH2) / N3-5 WITH 500mm EXT. SKIRT.	1100	965	865	50	75	100	100
SC5D	F7-9(PH1) / N6-9 WITH 500mm EXT. SKIRT.	1100	950	850	50	75	150	150
SC6	BC/BD/BE @ 1100 INV.	1390	1270	1185	35	65	100	100
SC7	No-Nc H'VY INV.	1470	1350	1250	50	70	100	100
SC8	BA & BB @ 1250 INV.	1560	1420	1335	35	95	100	100
SC9A	F5-6(PH2) / N3-5 WITH 1000mm EXT. SKIRT.	1585	1465	1365	50	75	100	100
SC9B	F7-9(PH1) / N6-9 WITH 1000mm EXT. SKIRT.	1585	1450	1350	50	75	150	150

NITRIFICATION UNITS USE THE SAME SAMPLE CHAMBERS
i.e. BC=NC=SC4C

ALL DIMENSIONS ARE IN MILLIMETRES - DO NOT SCALE