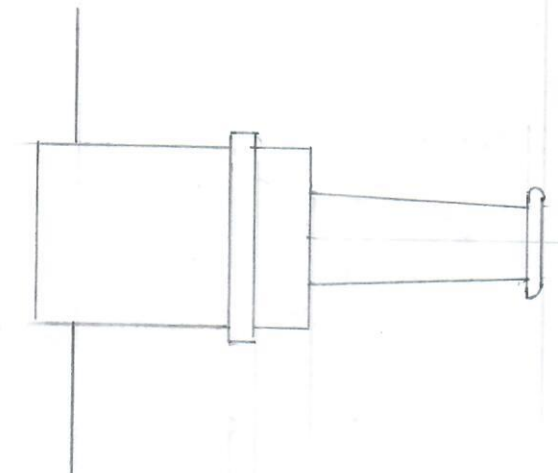


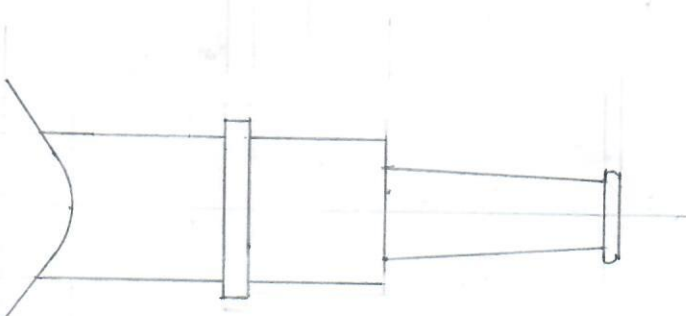
CHIMNEY EAST ELEVATION

← 446 →



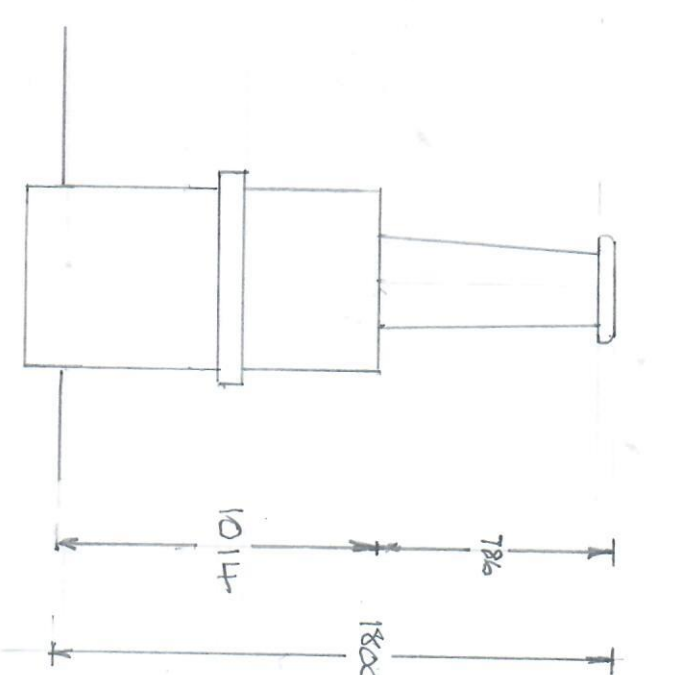
SOUTH ELEVATION

← 590 →



EAST INCREASED HEIGHT

← 446 →



SOUTH INCREASED HEIGHT

← 590 →



SCALE 1:25
 Increase chimney stack
 in height from 1486mm to 1800mm

Humphreys Green
 Kings Lane
 Elmdon
 Essex
 CB11 4NN