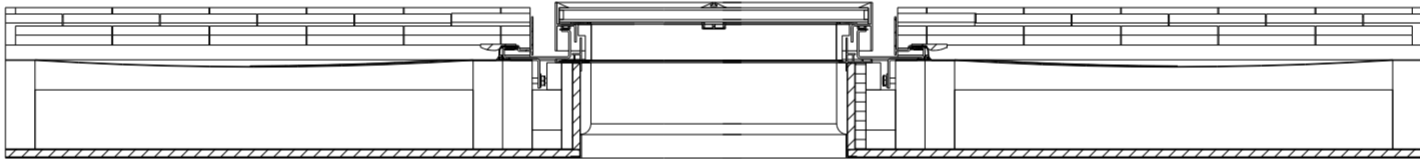
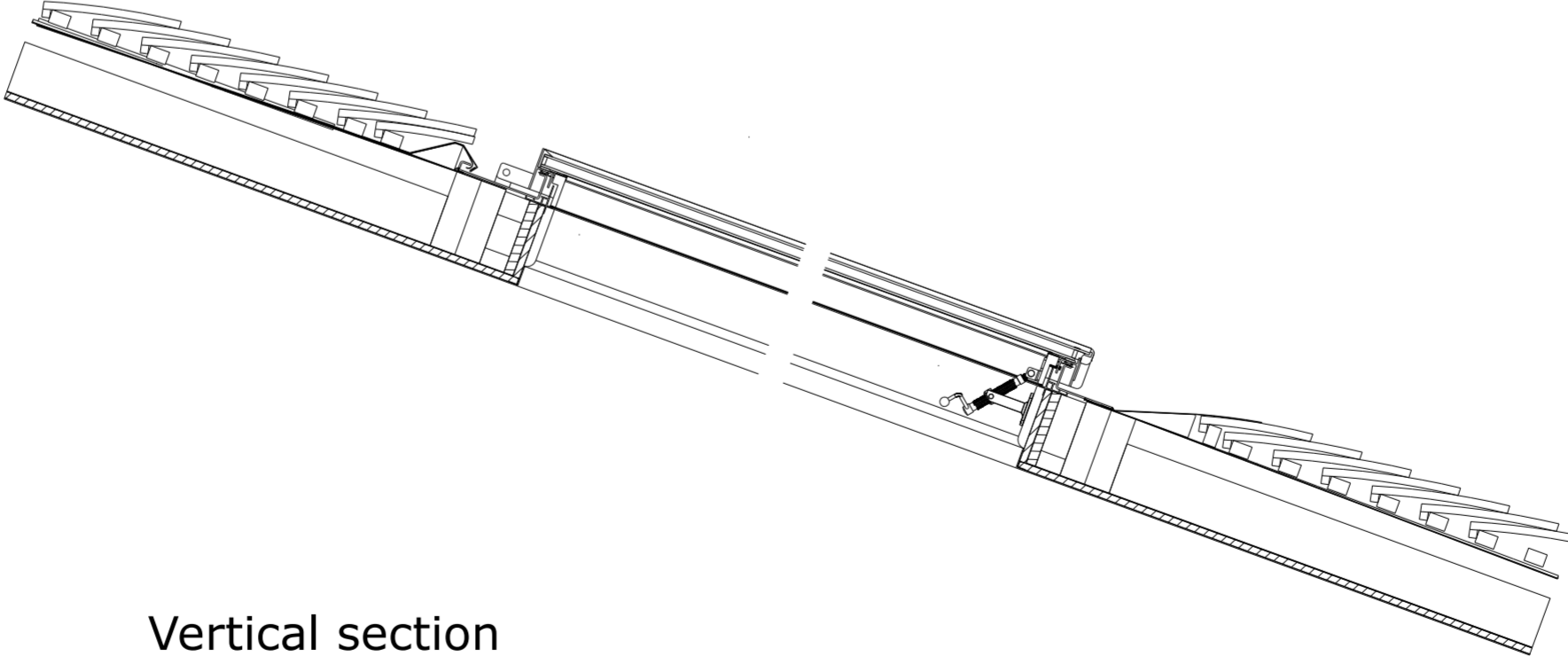


Rooflight Company  
 615 x 875 structural opening  
 Conservation Roof Light

External elevation



Horizontal section



Vertical section



**R.R.RIMMER**  
 B.A., Dip. Arch., R.I.B.A.  
 CHARTERED ARCHITECT

24 Whitecourt  
 Uley  
 Dursley  
 Gloucestershire GL11 5TG  
 Tel: (01453) 861083

LANCASTER HOUSE, BRISTOL ROAD, THORNBURY BS35 3JA  
 (Grade II Listed Building)  
 Roof window details  
 A2 - Drg. No. 1694/15

1:5; 1:10