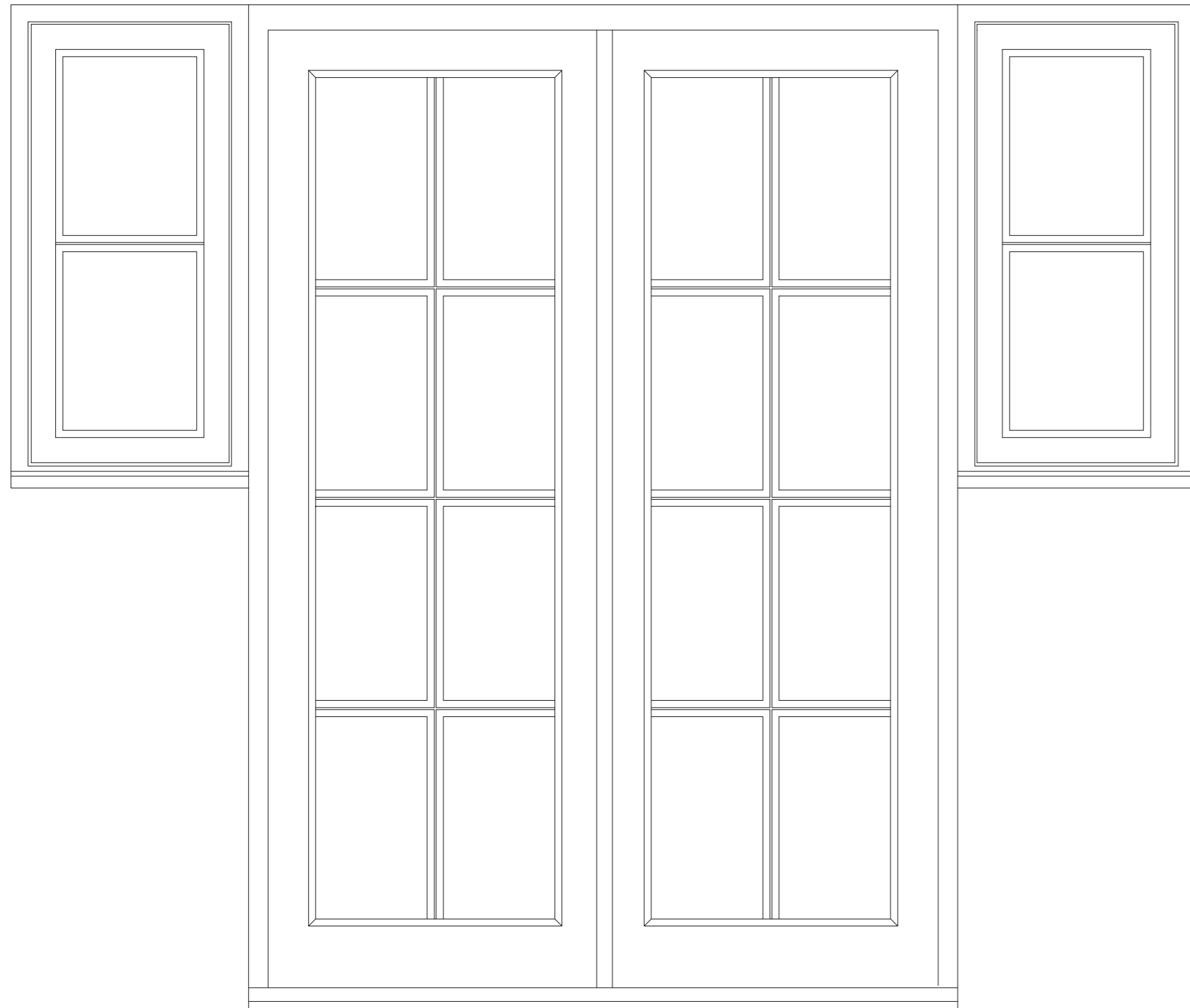
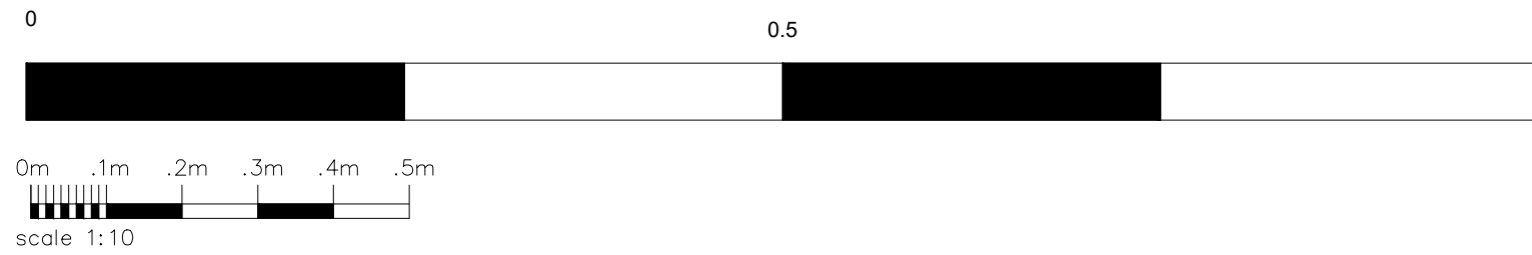
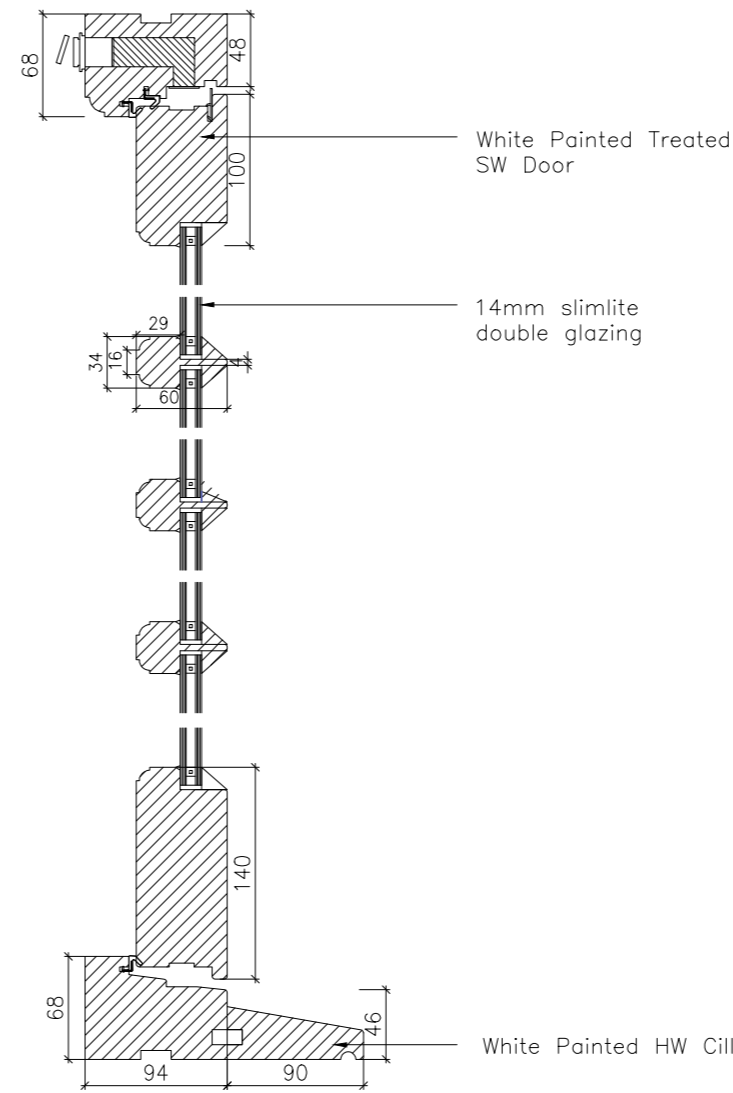


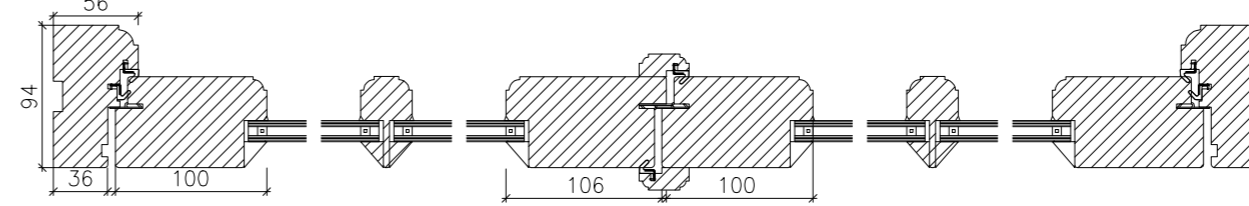
Scale: 1:5



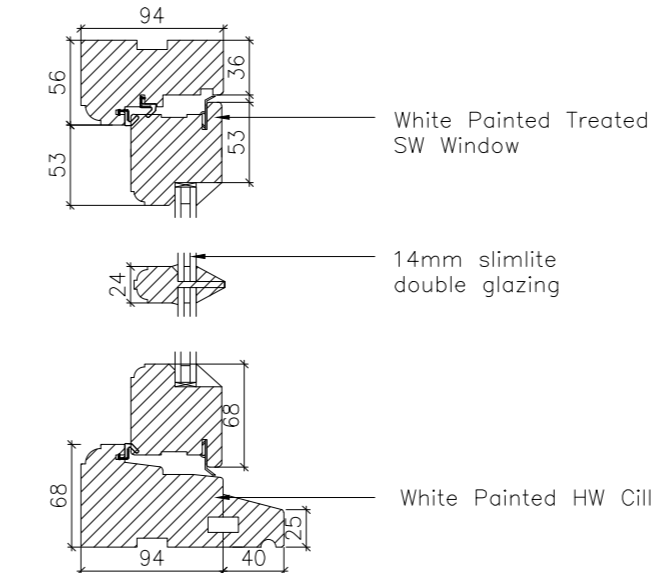
External Elevation
1:10



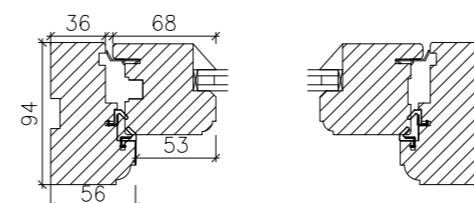
Proposed Vertical Section
Through Door
1:5



Proposed Horizontal Section Through Door
1:5



Proposed Vertical Section
Through Window
1:5



Proposed Horizontal Section
Through Window
1:5

NOTE

1. DRAWINGS MUST NOT BE SCALED; WORK ONLY TO FIGURED DIMENSIONS
2. CHECK ALL DIMENSIONS ON SITE BEFORE ORDERING MATERIALS OR PUTTING WORK IN HAND
3. SHOP DRAWINGS OF MANUFACTURED ITEMS MUST BE APPROVED BY THE ARCHITECTS BEFORE WORK IS PUT IN HAND
4. DIMENSIONS MUST BE VERIFIED ON SITE BEFORE PREPARATION OF SHOP DRAWINGS
5. THE ARCHITECT MUST BE NOTIFIED OF ANY DISCREPANCIES IMMEDIATELY
6. IF IN DOUBT ASK!

P1 31:01:24 Issued for Planning

revisions

PLANNING

MORE THAN PRETTY PICTURES
ARCHITECTS

tel: 07969355994
matthew@mtpa.co.uk

client

Mr & Mrs Chase

job title

2 Lower Road
Glensford

drawing title

Proposed French Door & Window Details
Front Elevation

scale

Noted @A2

drawn by

MS

date

Jan 24

sheet / layout number

22-106-SZ-400

rev

P1