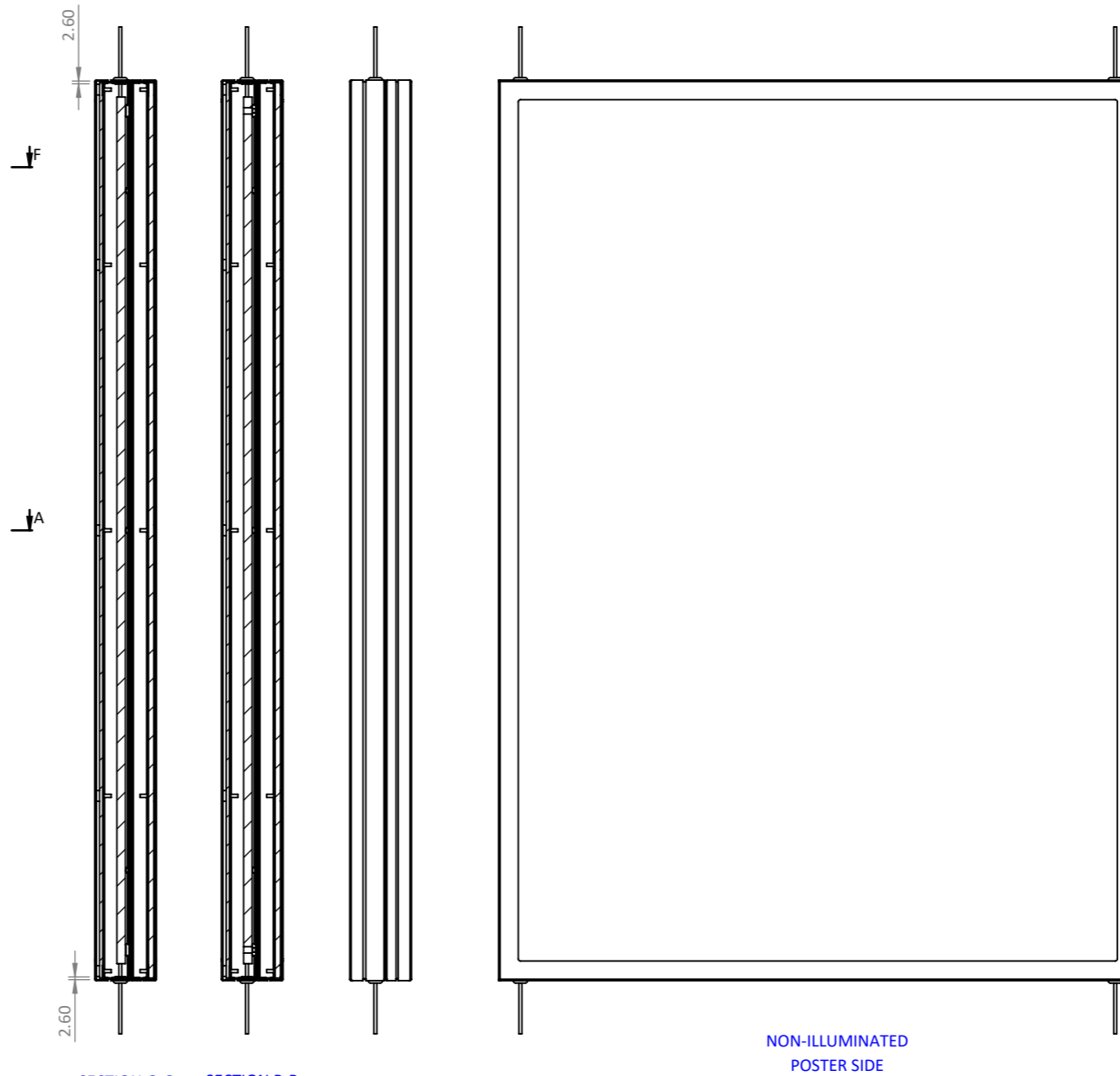
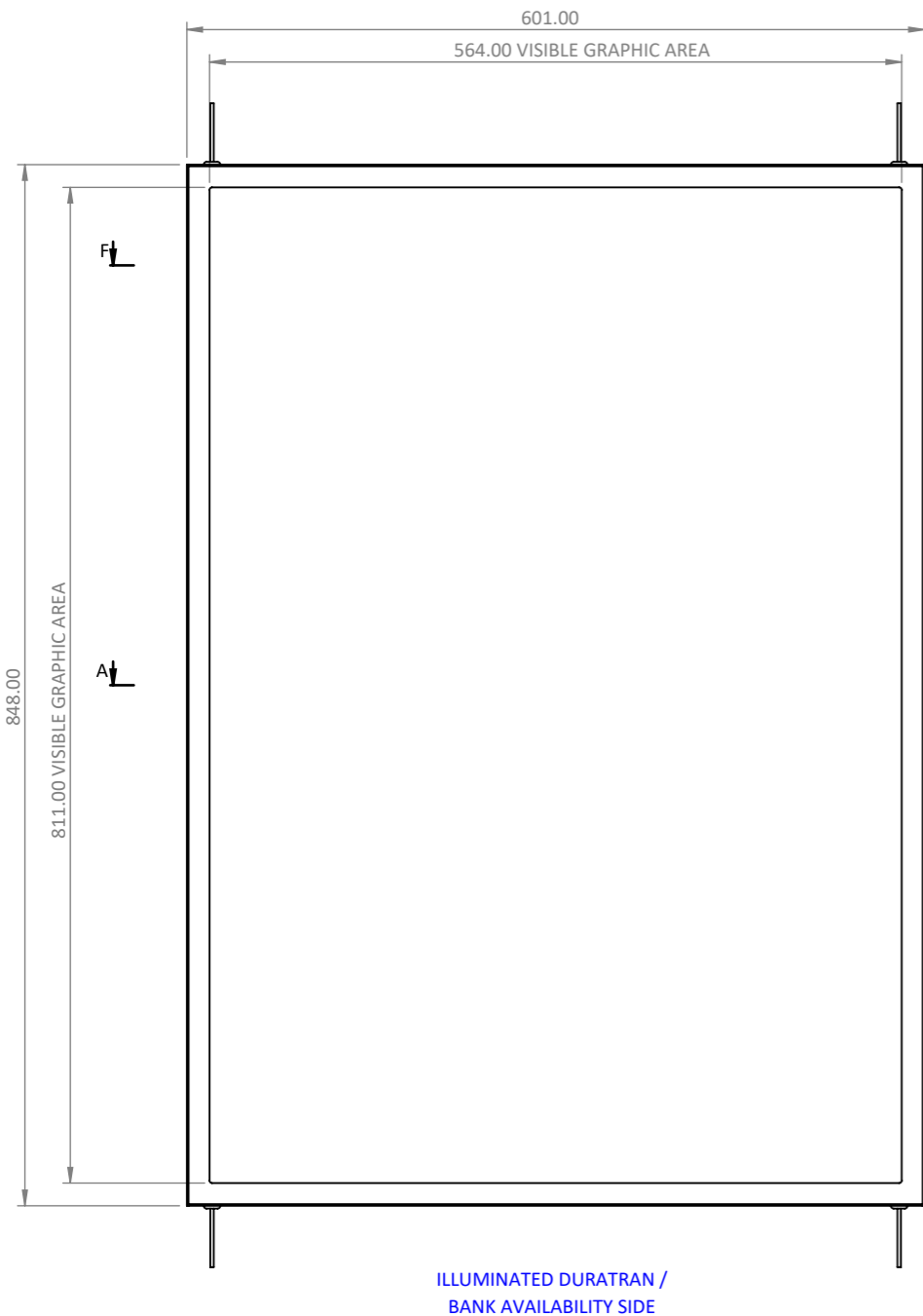
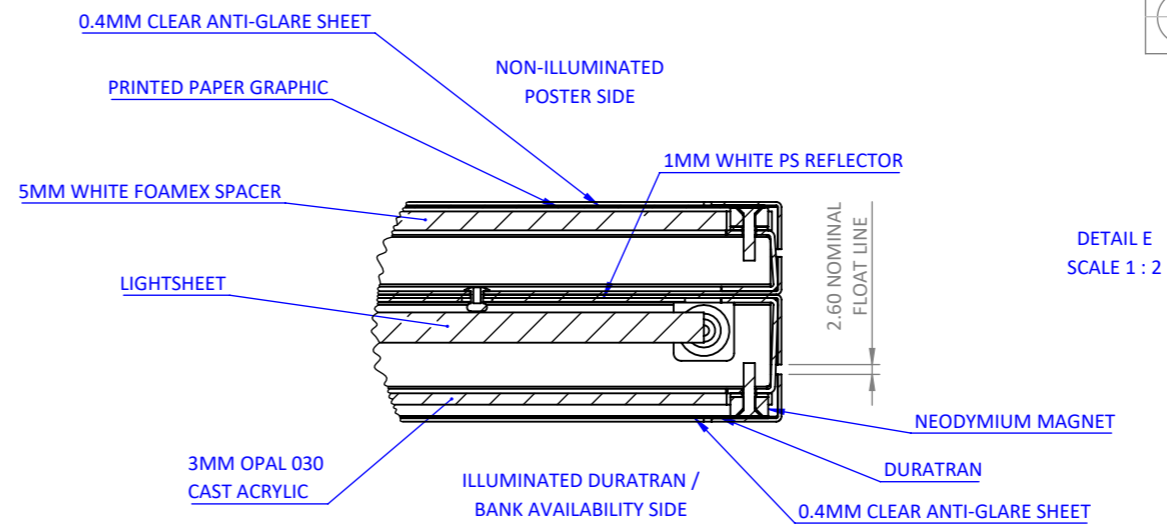
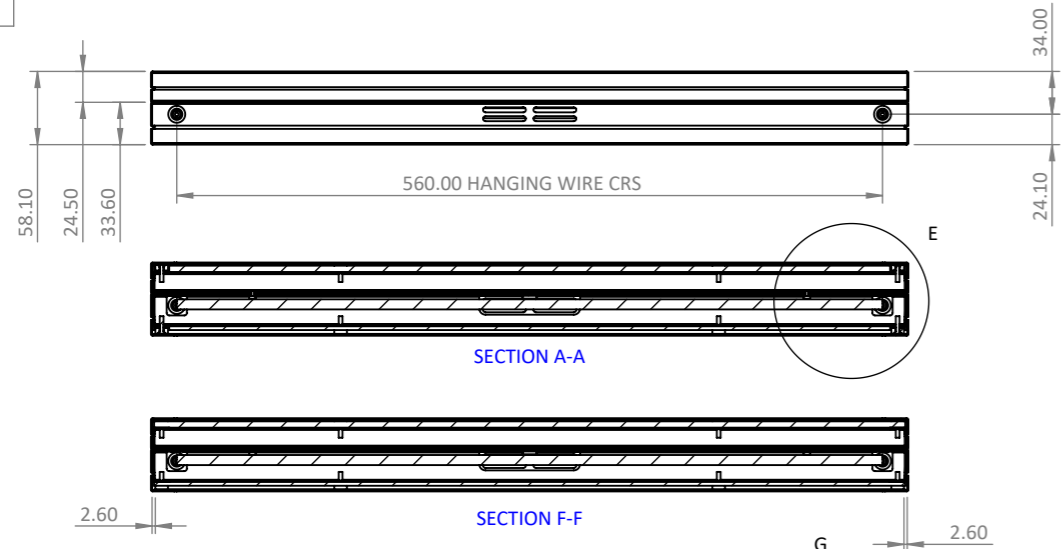


CN	REV	CREATED	APP	DATE	DETAILS
-	04	NH			-
	03	NH	NH	22/07/2022	



CLIENT	POST OFFICE
PROJECT	
PRODUCT	POF:HANGING SIGN V3 ASSY
DRG NO.	18-E30300-1007
ORIG DATE	22/09/2022
DATE	22/09/2022 16:19:19
DRAWN BY	NH
SCALE	1:6 - DNS
ISSUE	REVISION 04
REVISION BY	NH

MODEL MATERIAL: Material <not specified>

MATERIAL SPECIFICATION:

NA

OS FILENAME:
18-E30300-1007

AREA 10024588 MM²

WEIGHT 9730 GRAMS

OP CODE:NO PROCESS UOM:EA

PDM STATUS:
WIP